

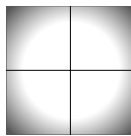
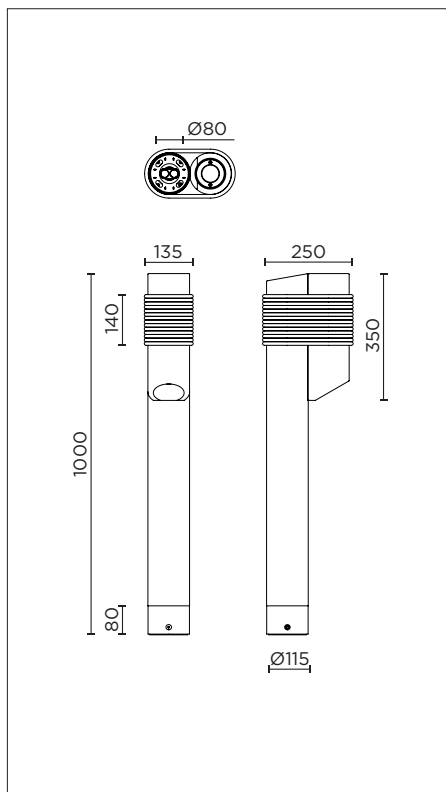
SAHARI 1

Lighting bollard 1 m / 324 lm - 5 W



LED	Height	L x l	Plate dimensions	Mountng distances	Mounting hole on plate	Anchor studs	Weight
5 W	1 m	230 x 115 mm	Ø 114 mm	Ø 80 mm	3 x Ø 10 mm à 120°	3 x M8 - 100 mm	11 kg

Version with 200 x 200 mm fixing plate, and fixing centre distance 150 x 150 mm upon request.



Broad light distribution

LED light 5 W

Recessed luminaire with broad spread light distribution. LED power supply unit 220-240 V - 0/50-60 Hz - DC 170-280 V.

Luminaire made of aluminium alloy, aluminium and stainless steel. Clear safety glass. Silicone gasket. Dust-tight and protected against water jets.

Safety class II

☑ Safety mark

CE Conformity mark

Protection class IP 65

Impact strenght IK10

Lamp

Luminaire connected wattage : 5 W

Luminaire lumineux flux : 324 lm

Luminaire lumineux efficiency : 64.8 lm/W

Colour temperature* : 3 000 K (CRI > 80)

Ambient temperature : $t_{a,max} = 55^{\circ}C$

20-year LED module availability guarantee.

*Other colour temperatures on request.

Luminaire colour

Stainless steel

Other finishes and salt air protection on request.

Round shaft

Accoya® glued laminated timber round barrels made from sawn wood from sustainably managed forests. Finished with four coats of varnish. Covered with Ø 8 mm rope.

Advantages of Accoya® wood

Accoya® wood has a non-toxic core treatment. It is a very dimensionally stable material (equivalent to the best exotic wood). It is renewable, durable, resistant to moisture, insects and rot.

Maintenance and lifespan

Accoya® wood offers a 25-year warranty against rot (if the wood is placed in the ground) and a 50-year warranty for above-ground wood (even if it is continuously exposed to fresh water). Very low maintenance.

Power supply

The bollard is powered by an external connection box located at the foot of the bollard.

Installation

Fixing with 3 stainless steel anchor studs M8 x 100 supplied. Other type of fixing on consultation.

Wood material :



Design
by
AUBRILAM.