

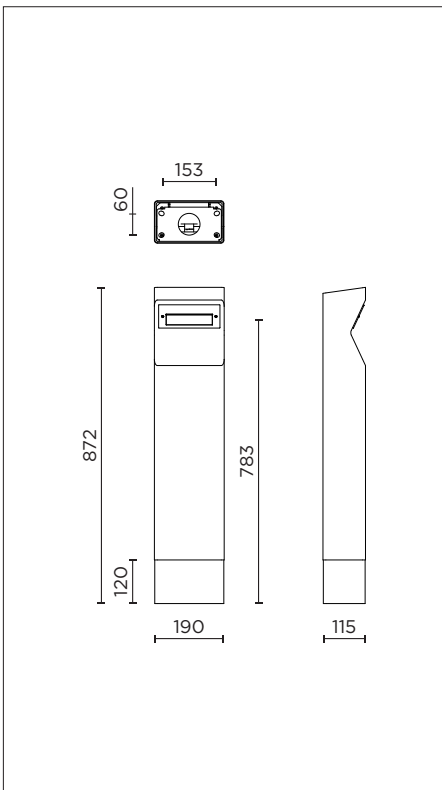
## NOTCHE 2 HIGH

High lighting bollard / 301 lm - 6.1 W / Lighting



LED	Height	L x l	Base height	Base plate dimensions	Spacing dimensions	Fixation hole on plate	Anchor studs	Weight
6.1 W	0.87 m	190 x 115 mm	120 mm	180 x 100 mm	150 x 70 mm	12 x 18 mm	4 x M10 - 120 mm	15 kg

Version with 250 x 250 mm fixing plate, and fixing centre distance 200 x 200 mm upon request.



Flat beam light distribution

### Notche 2

#### LED light 6.1 W

Luminaire with asymmetrical light distribution.  
LED power supply unit 220-240 V - 0/50-60 Hz - DC 176-264 V.

Luminaire made of aluminium alloy, aluminium and stainless steel. Safety glass with optical structure. Silicone gasket. Dust-tight and water jet protected.

Safety class I (class II on request)

☞ Safety mark

CE Conformity mark

Protection class IP 65

Impact strength IK10

#### Lamp

##### Power connected by light fixture: 6.1 W

Luminous flux per luminaire: 301 lm

Light output of a luminaire: 49.3 lm/W

Colour temperature\*: 3 000 K (CRI > 80)

Ambient temperature:  $t_{a, max} = 45^{\circ}C$

20-year LED module availability guarantee.

\*Other colour temperatures on request.

#### Luminaire colour

Graphite Silver

Alternative finishes and salt air protection on request.

#### Rectangular shaft

Accoya® acetylated solid wood rectangular shaft made from sawn timber from sustainably managed forests. Timber finished with four coats of woodstain. Rectangular flush base in galvanized steel, polyester powder coated finish.

Safety class II

Protection class IP 55

#### Benefits of Accoya® wood

Accoya® wood has a non-toxic core treatment. It is a very dimensionally stable material (equivalent to the best exotic wood). It is renewable, durable, resistant to moisture, insects, and rot.

#### Maintenance and lifespan

Accoya® wood offers a 25-year warranty against rot (if the wood is placed in the ground) and a 50-year warranty for above-ground wood (even if it is continuously exposed to fresh water). Very low maintenance.

#### Power supply

The terminal is powered via two connection boxes located at the base.

#### Installation

Fixing with 4 stainless steel anchor studs M10 x 120, supplied only on request. Other type of fixing on consultation.

Wood material:



Design  
by  
AUBRILAM.