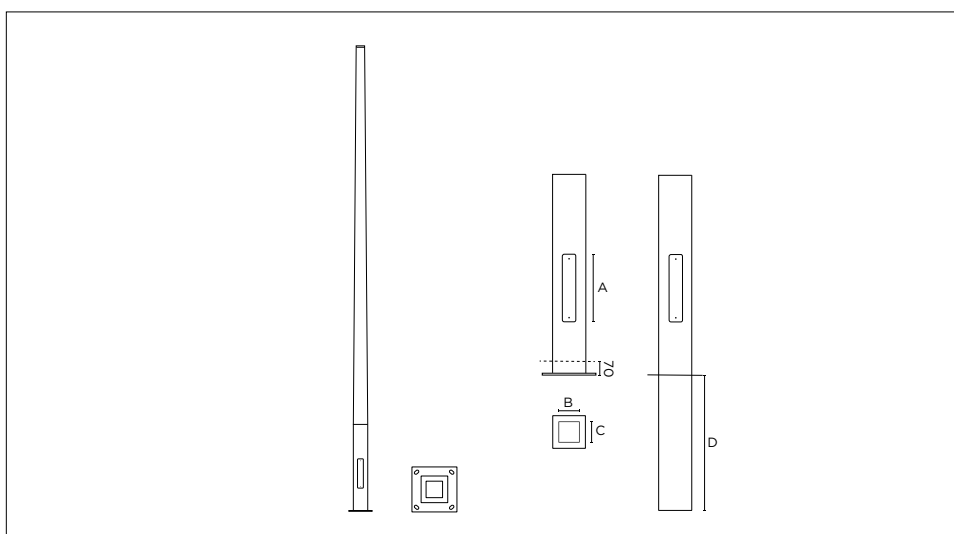


Silea XL

Square conical pole
base plate / burried



Pole on base plate	Pole with ground spike base	Height	Section	Base section	Visible base height	Burried depth (D)	Effective dimensions (A x B • C)	Weight
MSI1400	MSI3400	4 m	□ 120-76 mm	□ 120 mm	1 m	0.80 m	300 x 80 mm • 97 mm	26 kg
MSI1500	MSI3500	5 m	□ 120-76 mm	□ 120 mm	1 m	0.80 m	300 x 80 mm • 97 mm	29 kg
MSI1501	MSI3501	5 m	□ 140-76 mm	□ 140 mm	1.20 m	1.00 m	400 x 90 mm • 117 mm	42 kg
MSI1600	MSI3600	6 m	□ 140-76 mm	□ 140 mm	1.20 m	1.00 m	400 x 90 mm • 117 mm	45 kg
MSI1601	MSI3601	6 m	□ 160-120 mm	□ 160 mm	1.20 m	1.30 m	450 x 90 mm • 137 mm	62 kg
MSI1700	MSI3700	7 m	□ 160-120 mm	□ 160 mm	1.20 m	1.30 m	450 x 90 mm • 137 mm	69 kg
MSI1800	MSI3800	8 m	□ 200-140 mm	□ 200 mm	1.50 m	1.50 m	500 x 100 mm • 177 mm	121 kg
MSI1900	MSI3900	9 m	□ 200-140 mm	□ 200 mm	1.50 m	1.50 m	500 x 100 mm • 177 mm	130 kg
MSI1901	MSI3901	9 m	□ 220-140 mm	□ 220 mm	1.50 m	1.50 m	500 x 100 mm • 177 mm	142 kg
MSI1100	MSI3100	10 m	□ 220-140 mm	□ 220 mm	1.50 m	1.50 m	500 x 100 mm • 177 mm	153 kg
MSI1101	MSI3101	10 m	□ 250-140 mm	□ 250 mm	1,50 m	1,50 m	500 x 120 mm • 223 mm	191 kg
MSI1120	MSI3120	12 m	□ 250-140 mm	□ 250 mm	1,50 m	1,50 m	500 x 120 mm • 223 mm	215 kg
MSI1121	MSI3121	12 m	□ 300-160 mm	□ 300 mm	1,50 m	2,00 m	450 x 120 mm • 273 mm	283 kg
MSI1140	MSI3140	14 m	□ 300-160 mm	□ 300 mm	1,50 m	2,00 m	450 x 120 mm • 273 mm	315 kg
MSI1160	MSI3160	16 m	□ 350-160 mm	□ 350 mm	1,50 m	2,00 m	450 x 120 mm • 323 mm	425 kg

Technical description

Square conical section pole made of glue-laminated Scots Pine wood from sustainably managed forests (PEFC). Strength class GL24H (bending strength C24), ACERBOIS-Glulam certified, and designed using the HTE process with double lamination construction.

Four-step staining process with water-based stains. Stain durability > 6 years.

Base and cap made of galvanized steel, floodlight support made of electro-galvanized steel, polyester powder-coated. Seawater atmosphere protection available upon request.

CE-marked product (CE conformity certificate 0679-CPR-0473).



Lifespan

According to our raw material supply specifications and the CSTB, our products have a structural life of 25 years (CE marking).

Maintenance and lifespan

In order to maintain the performance of the columns and their aesthetics, it is advisable to plan periodic maintenance of the wood every 8 years (6 years on sites exposed to the sea front) by renewing the finish. This operation does not require any particular expertise or removal of the columns. AUBRILAM can assist you in this process by providing a staining kit with the application protocol.

It is recommended to regularly clean metal surfaces with soapy water. Make sure to use non-aggressive products. Never use corrosive products or scouring pads.

Annual inspection: Check the condition of the access door(s), the base, and the anchoring rods. Unclog the water drainage holes and ensure there are no signs of oxidation on the metal parts.

Installation

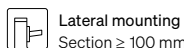
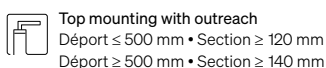
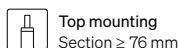
Spacing dimensions:

- From 4 to 6 m: 200 x 200 mm
- From 7 to 12 m: 300 x 300 mm
- From 12 to 14 m: 400 x 400 mm
- 16 m: 450 x 450 mm

Recommended anchor rods:

- From 3 m to 8 m: 4 HA20/M18 - 400 mm
- 9 m: 4 HA20/M14 - 400 mm
- From 9 m to 12 m: 4 HA25/M24 - 600 mm
- From 12 m to 16 m: 8 HA25/M24 - 600 mm

Anchor bolts supplied on request only.
Burried root version upon request.



Options

- Stainless steel base
- Hinged door or door with safety-cable
- Two doors
- Anti-theft screw
- Cable hole

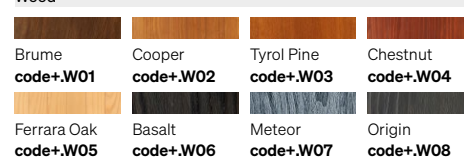
Customization

Customization available upon request.

Finish

The finish shown is in Brume wood and Black 2100 sanded metal, **code+.W01.M05**. Finish options available in any of the standard shades from the AUBRILAM color chart. Other colors available upon request.

Wood



Metal

