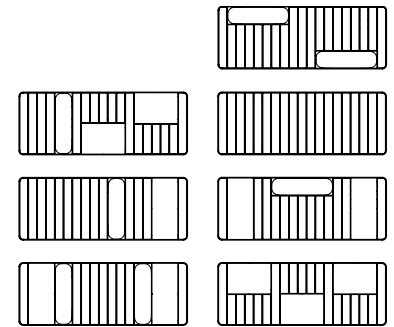


## RENDEZ-VOUS

### Benches

From FRV0004 to FRV0010



#### Materials

Electro-galvanised steel structure, polyester powder coated finish. Solid wood slats in Accoya® acetylated timber from sustainably managed forests. Timber finished with four coats of woodstain. High performance concrete seats and backrests, protected with a BF24h type stain.

#### Standard finish

Wood: Brume

Metal: Black 2100 sanded

Finish corresponding to the references FRV0004, FRV0005, FRV0006, FRV0007, FRV0008, FRV0009 and FRV0010. Other colours on request.

#### Fixing

Fixation to the ground is recommended.

Chemical sealing.

Anchor bolts: threaded bolt M10 x 80.

Anchor bolts supplied on request only.

#### Benefits, lifespan and maintenance

Modern, robust and comfortable furniture. Presence of wood, a warm and ecological material. Tested materials for exterior use, the solid modified Accoya® wood chosen for its qualities of durability and stability (class 4 use). High performance concrete filled with organic fibers. S235 quality steel with good mechanical characteristics. Low maintenance. Simple and easy wood maintenance.

#### Technology

Possibility of integrating a standard charging module, on consultation:

- up to 4 charging points
- with USB 2 type A plug - 5V - 1A - 5 W
- fixing in a metal box

#### Customisation

Engraving of a logo or any other graphic element on request.





## Other references

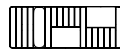
See the table below for the main characteristics and drawings of the references FRV0004, FRV0005, FRV0006, FRV0007, FRV0008, FRV0009 and FRV0010. Identical materials, finishes and fixation. Plans on request.

Concrete elements	H x L x W	Weight
Small seat	520 x 365 mm	12 kg
Large seat	730 x 300 mm	15 kg
Backrest (hollow)	225 x 730 x 205 mm	37 kg

## Référence

## Features

### FRV0004



2 small seats  
1 back

### FRV0005



1 large seat  
1 back

### FRV0006



2 large seats  
2 backs

### FRV0007



2 backs

### FRV0008



2 large seats  
1 back

### FRV0009

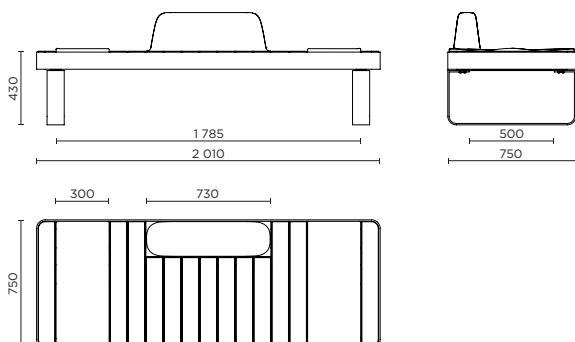


No concrete  
element

### FRV0010



3 small seats



	Frame H x L x W	Seat height	Hole for fixing on leg	Anchor bolts	Weight
FRV0004	430 x 2 010 x 750 mm	430 mm	∅ 12 mm	M10 x 80	133 kg
FRV0005	430 x 2 010 x 750 mm	430 mm	∅ 12 mm	M10 x 80	119 kg
FRV0006	430 x 2 010 x 750 mm	430 mm	∅ 12 mm	M10 x 80	163 kg
FRV0007	430 x 2 010 x 750 mm	430 mm	∅ 12 mm	M10 x 80	154 kg
FRV0008	430 x 2 010 x 750 mm	430 mm	∅ 12 mm	M10 x 80	135 kg
FRV0009	430 x 2 010 x 750 mm	430 mm	∅ 12 mm	M10 x 80	74 kg
FRV0010	430 x 2 010 x 750 mm	430 mm	∅ 12 mm	M10 x 80	105 kg

Flavard & Saguez design

Wood material:

