

UTYL

Litter bin

FUT8001



Materials

Electro-galvanized steel frame, finished in powder coated polyester. Cladding made of beech plywood, laminate veneer on sides and anti-UV varnish on edges. Removable galvanised steel bin.

Standard finish

Compact laminate: Ref. 0924NT Taurus
Metal: Black 2100 sanded
Finish corresponding to the reference FUT8001.
Other colours on request.

Fixing

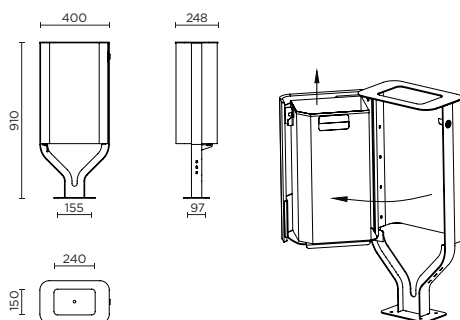
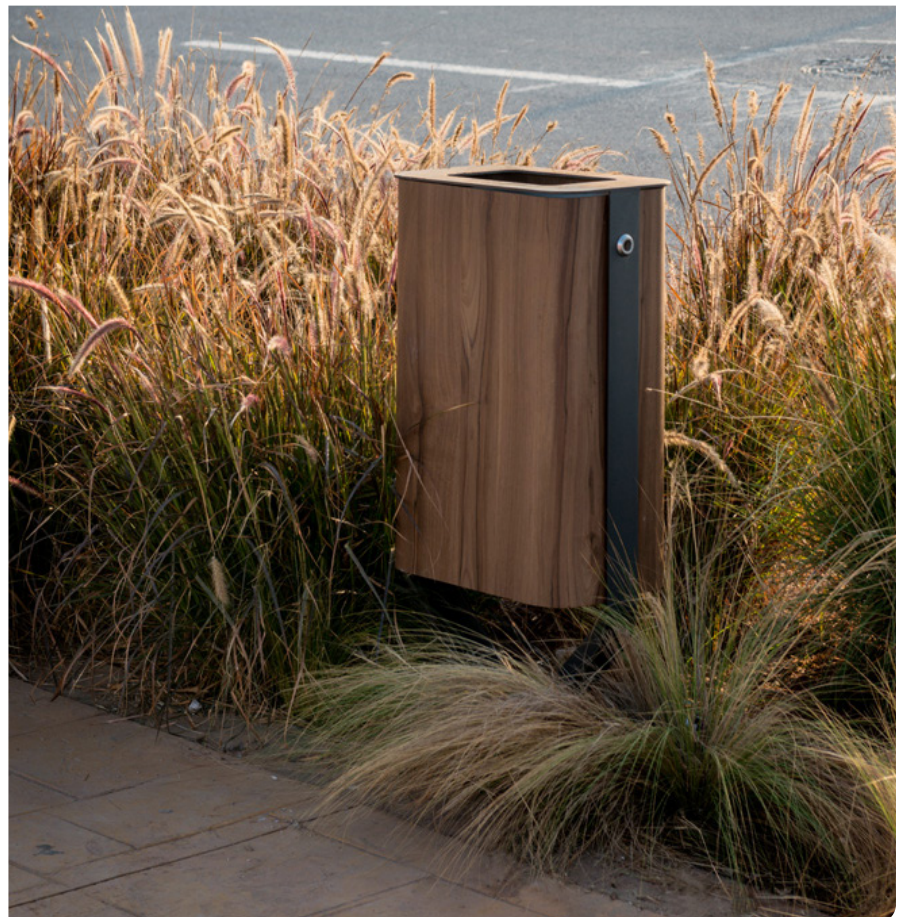
Must be fixed to the ground on plate. Chemical sealing.
Anchor bolts: threaded bolt M10 x 80.
Anchor bolts supplied on request only.

Benefits, lifespan and maintenance

Carefully designed furniture, created by the designer Xavier Flavard. Tested materials for outdoor use, PEFC certified beech plywood whose durability has been validated and tested by the CRITT Bois. S235 quality steel with good mechanical properties. Easy-to-assemble furniture. Easily replaceable parts. Simple cleaning (water + soap).

Customisation

Engraving of a logo or any other graphic element on request.



	Frame H x L x W	Capacity	Plate dimensions	Hole for fixing on plate	Anchor bolts	Weight	
FUT8001	910 x 400 x 248 mm	30 litres	240 x 150 mm	Ø 12 mm	M10 x 80	23.5 kg	Flavard & Saguez design