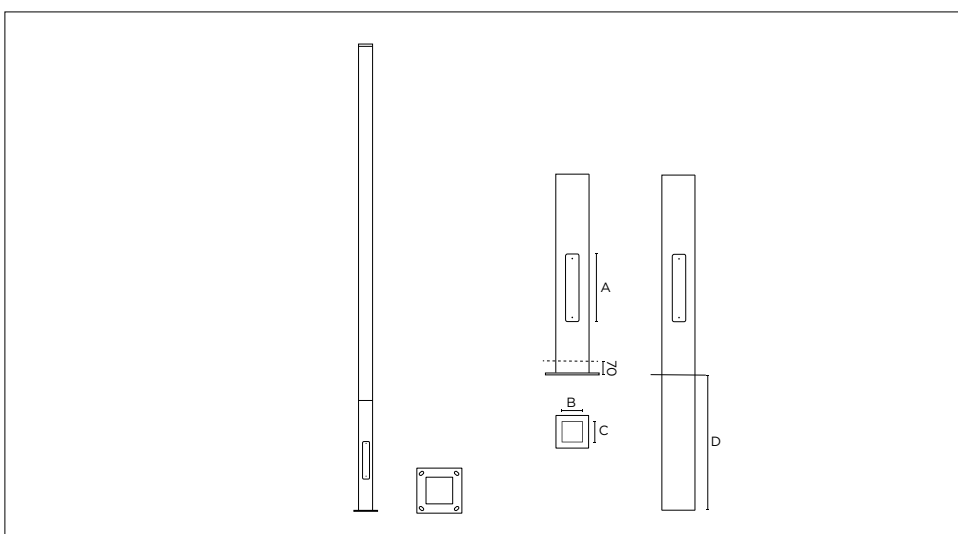


# Moshi XL

Square pole  
base plate / burried



Pole on base plate	Pole with ground spike base	Height	Section	Base section	Visible base height	Burried depth (D)	Effective dimensions (A x B • C)	Weight
<b>MMO1350</b>	<b>MMO3350</b>	3.5 m	□ 120 mm	□ 120 mm	1 m	0.80 m	300 x 80 mm • 100 mm	35 kg
<b>MMO1400</b>	<b>MMO3400</b>	4 m	□ 120 mm	□ 120 mm	1 m	0.80 m	300 x 80 mm • 100 mm	38 kg
<b>MMO1500</b>	<b>MMO3500</b>	5 m	□ 120 mm	□ 120 mm	1 m	0.80 m	300 x 80 mm • 100 mm	43 kg
<b>MMO1501</b>	<b>MMO3501</b>	5 m	□ 140 mm	□ 140 mm	1.20 m	1.00 m	400 x 90 mm • 117 mm	54 kg
<b>MMO1600</b>	<b>MMO3600</b>	6 m	□ 140 mm	□ 140 mm	1.20 m	1.00 m	400 x 90 mm • 117 mm	62 kg
<b>MMO1601</b>	<b>MMO3601</b>	6 m	□ 160 mm	□ 160 mm	1.20 m	1.30m	450 x 90 mm • 137 mm	69 kg

### Technical description

Square section pole made of glue-laminated Scots Pine wood from sustainably managed forests (PEFC). Strength class GL24H (bending strength C24), ACERBOIS-Glulam certified, and designed using the HTE process with double lamination construction. Four-step staining process with water-based stains. Stain durability > 6 years. Base and cap made of galvanized steel, floodlight support made of electro-galvanized steel, polyester powder-coated. Seawater atmosphere protection available upon request. CE-marked product (CE conformity certificate 0679-CPR-0473).



### Lifespan

According to our raw material supply specifications and the CSTB, our products have a structural life of 25 years (CE marking).

### Maintenance and lifespan

In order to maintain the performance of the columns and their aesthetics, it is advisable to plan periodic maintenance of the wood every 8 years (6 years on sites exposed to the sea front) by renewing the finish. This operation does not require any particular expertise or removal of the columns. AUBRILAM can assist you in this process by providing a staining kit with the application protocol.

It is recommended to regularly clean metal surfaces with soapy water. Make sure to use non-aggressive products. Never use corrosive products or scouring pads.

Annual inspection: Check the condition of the access door(s), the base, and the anchoring rods. Unclog the water drainage holes and ensure there are no signs of oxidation on the metal parts.

### Installation

Spacing dimensions:  
200 x 200 mm  
Recommended anchor rods:  
4 HA20/M18 - 400 mm

Anchor bolts supplied on request only.  
Burried root version upon request.



**Top mounting**  
Section ≥ 76 mm



**Top mounting with outreach**  
Déport ≤ 500 mm • Section ≥ 120 mm  
Déport ≥ 500 mm • Section ≥ 140 mm



**Lateral mounting**  
Section ≥ 100 mm

### Options

- Stainless steel base
- Hinged door or door with safety-cable
- Two doors
- Anti-theft screw
- Cable hole

### Customization

Customization available upon request.

### Finish

The finish shown is in Brume wood and Black 2100 sanded metal, code +.W01.M05. Finish options available in any of the standard shades from the AUBRILAM color chart. Other colors available upon request.

#### Wood

Brume code+.W01	Cooper code+.W02	Tyrol Pine code+.W03	Chestnut code+.W04
Ferrara Oak code+.W05	Basalt code+.W06	Meteor code+.W07	Origin code+.W08
Alizé code+.W09	La Mer code+.W10	Burn Umber code+.W11	

#### Metal

Graphite code+.M01	Silver code+.M02	RAL 7006 sanded code+.M03	Grey 2900 sanded code+.M04
Black 2100 sanded code+.M05	Black 2200 sanded code+.M06	Random rust code+.M50	Crystal black code+.M51