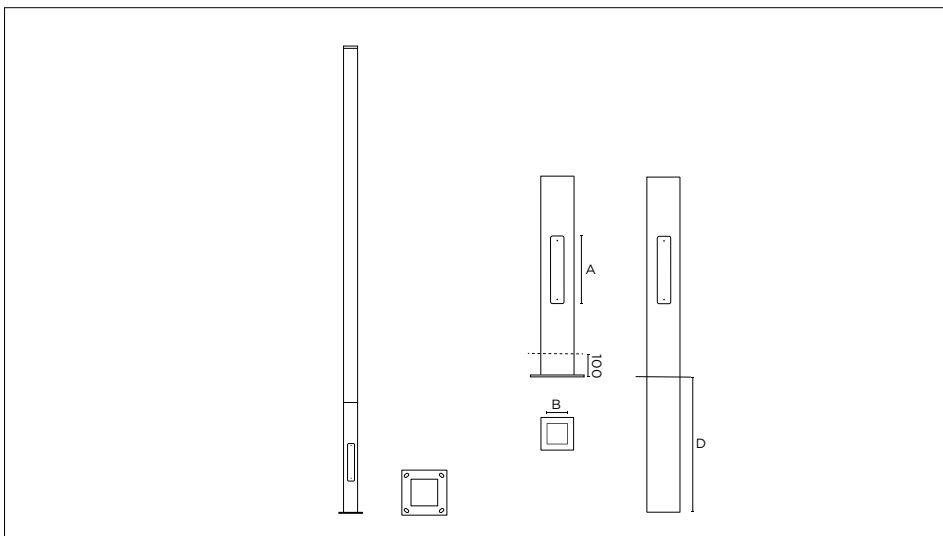


# Moshi XL

Square pole - Aluminum base  
base plate / burried



Pole on base plate	Pole with ground spike base	Section	Height	Base section	Visible base height	Burried depth (D)	Effective dimensions (A x B)
MMO2350	MMO4350	□ 120 mm	3.5 m	□ 120 mm	1.10 m	0.80 m	300 x 90 mm
MMO2400	MMO4400	□ 120 mm	4 m	□ 120 mm	1.10 m	0.90 m	300 x 90 mm
MMO2500	MMO4500	□ 120 mm	5 m	□ 120 mm	1.10 m	1 m	300 x 90 mm
MMO2501	MMO4501	□ 150 mm	5 m	□ 150 mm	1.30 m	1 m	440 x 115 mm
MMO2600	MMO4600	□ 150 mm	6 m	□ 150 mm	1.30 m	1.10 m	440 x 115 mm
MMO2700	MMO4700	□ 150 mm	7 m	□ 150 mm	1.30 m	1.20 m	440 x 115 mm
MMO2701	MMO4701	□ 180 mm	7 m	□ 180 mm	1.50 m	1.20 m	440 x 115 mm
MMO2800	MMO4800	□ 180 mm	8 m	□ 180 mm	1.50 m	1.30m	440 x 115 mm

### Technical description

Square section pole made of glue-laminated Scots Pine wood from sustainably managed forests (PEFC). Strength class GL24H (bending strength C24), ACERBOIS-Glulam certified, and designed using the HTE process with double lamination construction. Four-step staining process with water-based stains. Stain durability > 6 years. Fire reaction class EUROCLASS D-s1, d0 according to EN 13501-1 standard. Aluminum flush and square base and galvanized steel pole top with polyester powder coating. CE-marked product (CE conformity certificate 0679-CPR-0473). Seawater atmosphere protection available upon request.



### Lifespan

According to our raw material supply specifications and the CSTB, our products have a structural life of 25 years (CE marking).

### Maintenance and lifespan

In order to maintain the performance of the columns and their aesthetics, it is advisable to plan periodic maintenance of the wood every 8 years (6 years on sites exposed to the sea front) by renewing the finish. This operation does not require any particular expertise or removal of the columns. AUBRILAM can assist you in this process by providing a staining kit with the application protocol.

It is recommended to regularly clean metal surfaces with soapy water. Make sure to use non-aggressive products. Never use corrosive products or scouring pads.

Annual inspection: Check the condition of the access door(s), the base, and the anchoring rods. Unclog the water drainage holes and ensure there are no signs of oxidation on the metal parts.

### Installation

#### Spacing dimensions:

- From 4 m to 5m: 200 x 200 mm
- From 6 m to 8 m: 300 x 300 mm

Anchor bolts supplied on request only. Burried root version upon request.



**Top mounting**  
Section ≥ 76 mm



**Top mounting with outreach**  
Déport ≤ 500 mm • Section ≥ 120 mm  
Déport ≥ 500 mm • Section ≥ 140 mm



**Lateral mounting**  
Section ≥ 100 mm

### Options

- Stainless steel base
- Hinged door or door with safety-cable
- Two doors
- Anti-theft screw
- Cable hole

### Customization

Customization available upon request.

### Finish

Product shown in Brume wood and Graphite metal, code +W01L.M01. Available finishes in the colours below. Other colors available upon request.

L = Smooth, B = Brushed, C = Whitewashed.

#### Color+Protect® wood



Brume Cooper Ferrara Oak Basalt



Origin La Mer Burnt Umber

#### Metal



Graphit Silver RAL 7006 Black 2100



Black 2200 Random rust Brown 2650