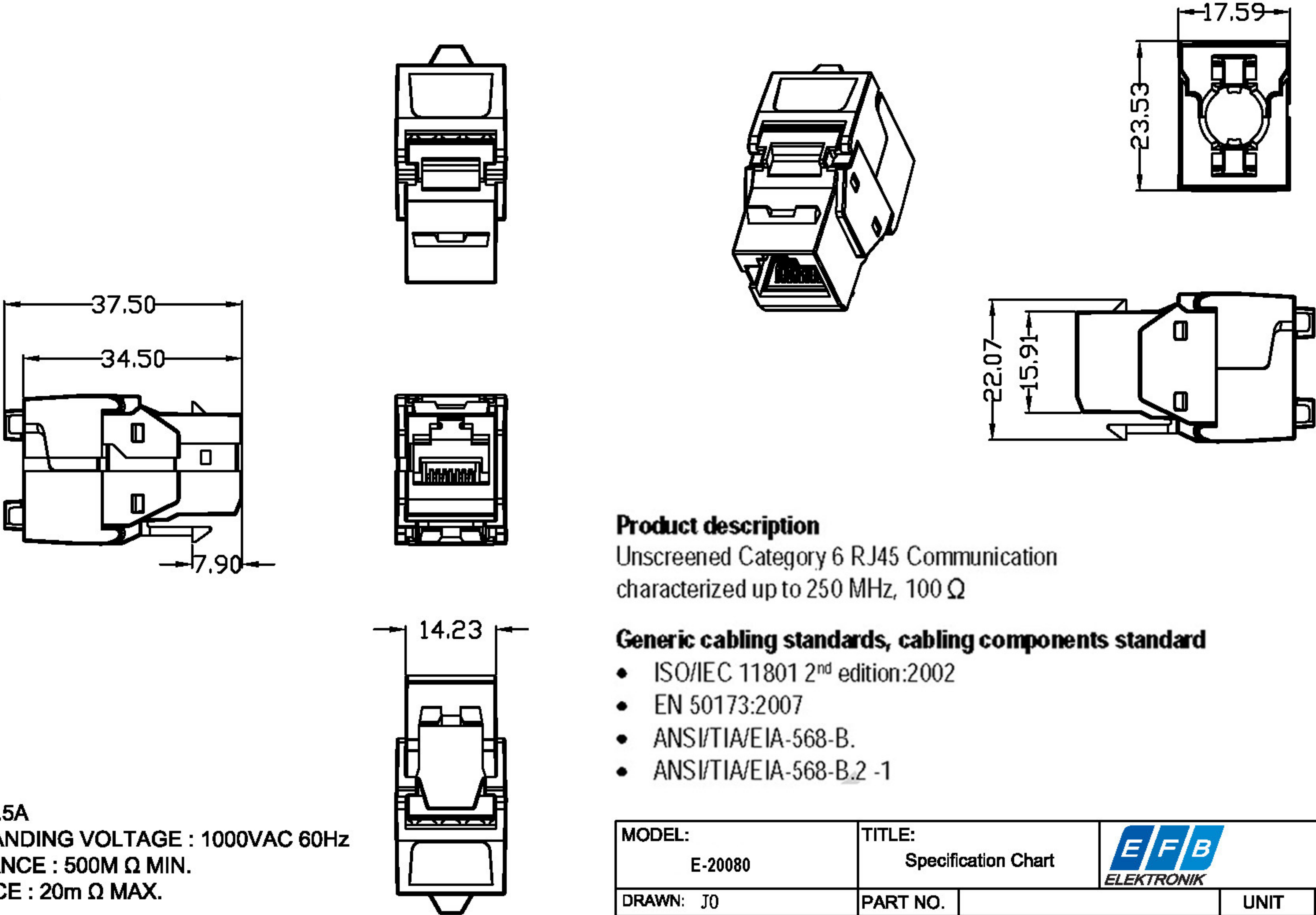


LIMITS	DEGREE CLASS	✓			
		A	B	C	D
10 以下		±0.02	±0.05	±0.10	±0.15
10~50 以下		±0.05	±0.10	±0.15	±0.20
50~120 以下		±0.10	±0.15	±0.20	±0.25
120~300 以下		±0.15	±0.20	±0.25	±0.30
300~500 以下		±0.20	±0.25	±0.30	±0.35
500~1000 以下		±0.25	±0.30	±0.35	±0.40
1000~1500 以下		±0.30	±0.35	±0.40	±0.45
ANGEL		±0.2°	±0.5°	±1.0°	±1.5°

Connecting Hardware, Category 6

ZONE	REV.	DESCRIPTION	DATE	APPROVED
A3,B4	A	First Version	08.04.09	J0



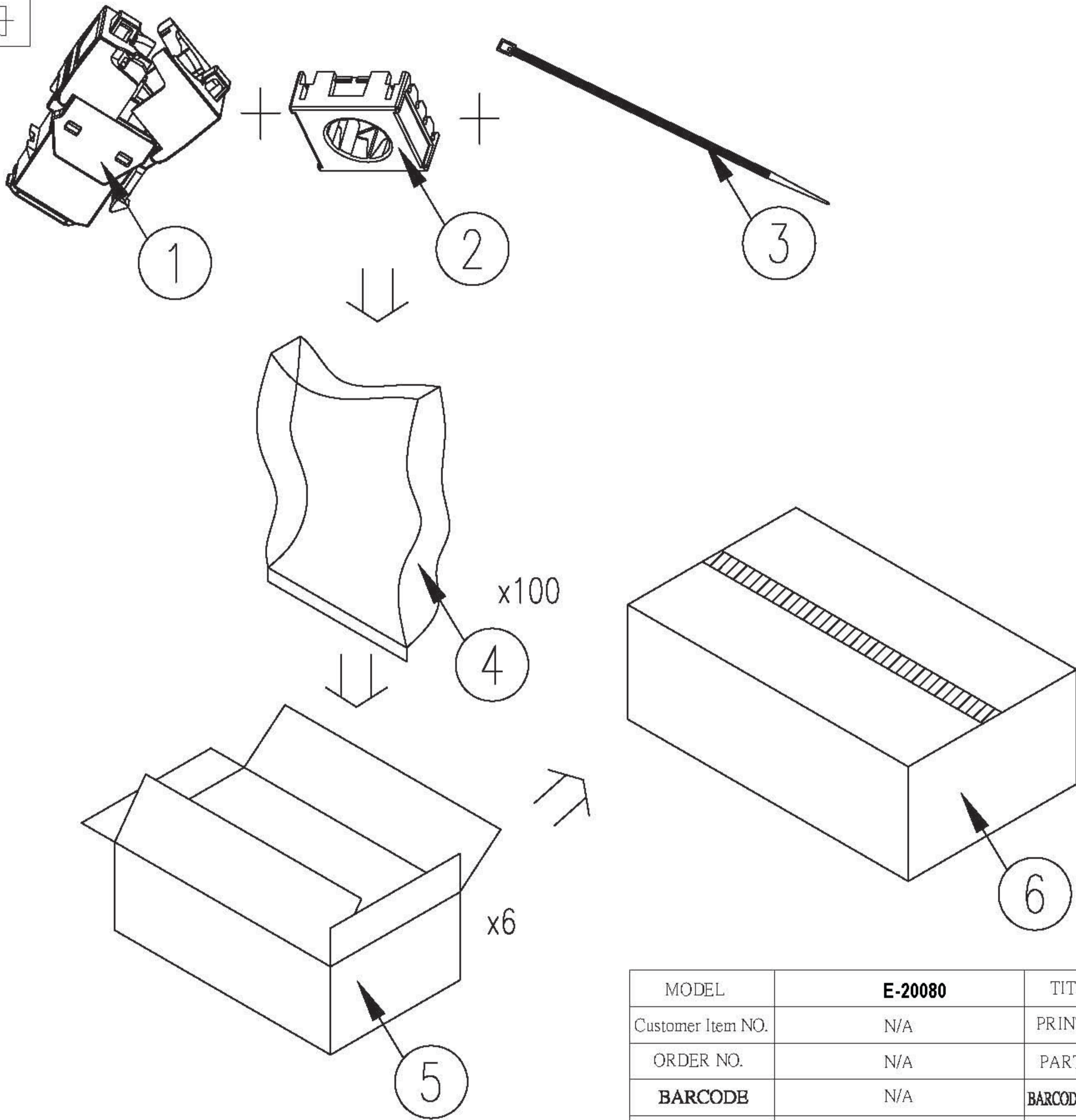
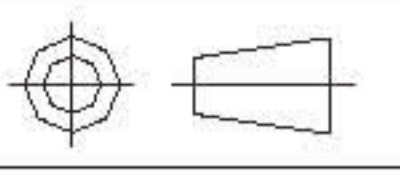
Product description
 Unscreened Category 6 RJ45 Communication
 characterized up to 250 MHz, 100 Ω

- Generic cabling standards, cabling components standard**
- ISO/IEC 11801 2nd edition:2002
 - EN 50173:2007
 - ANSI/TIA/EIA-568-B.
 - ANSI/TIA/EIA-568-B.2 -1

ELECTRICAL
 CURRENT RATING : 1.5A
 DIELECTRIC WITHSTANDING VOLTAGE : 1000VAC 60Hz
 INSULATION RESISTANCE : 500M Ω MIN.
 CONTACT RESISTANCE : 20m Ω MAX.

MECHANICAL
 (1) Materials: UV stabilized PC+ABS, and polycarbonate
 (2) RJ45Jack Contact:Phosphor bronze, 50u" Gold Plating
 (3) Cavity conforms to FCC rules and Regulations Part 68
 (4) Plastic housing colour: pure white, similar to RAL9010

MODEL: E-20080	TITLE: Specification Chart				
DRAWN: J0	PART NO.	UNIT	MM		
DESIGNED:	MATERIAL	SCALE	1 : 1		
CHECKED: P	FINISH	SHEET	1 OF 1		
APPROVED: Scott	TOOLING NO.	SIZE	A4	REV.	A
	DWG NO.	E-20080			



REVISIONS			
REV.	DESCRIPTION	DATE	APPROVED
A	The First Edition	2008/04/09	Tina

8		
7		
6	Carton	1
5	Inner Box	6
4	Polybag	600
3	Cable Tie	600
2	Termination Cap	600
1	E-20080	600
NO.	Description	Q' ty

MODEL	E-20080	TITLE	Packaging Assembly			FILE TYPE	dwg
Customer Item NO.	N/A	PRINTING	N/A	FINISH	N/A	DESIGNER	Tina
ORDER NO.	N/A	PART NO.	N/A	UNIT	N/A	CHECK	Kevin
BARCODE	N/A	BARCODE TYPE	N/A	REV.	A	CHECK	IP
MATERIAL	N/A	SCALE	N/A	DATE	2008/04/09	APPROVED	Scott
DRAWING NO.	E-20080		