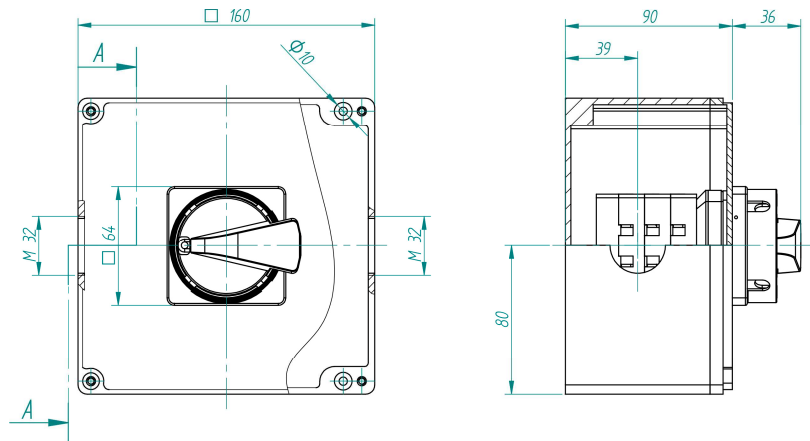


**Description** Switch 4 Phases size.1

**Current** 40 A

**Electrical Properties according EN 60947-3**

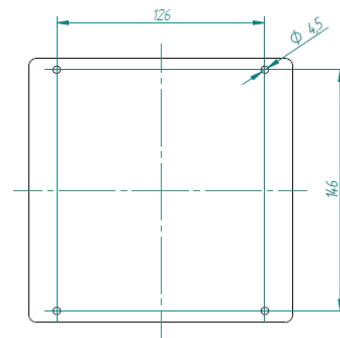
Thermic air Current	Ith A	40
Fuse protection máx. gG-aM	In A	40
Wire dimension	AWG	6
Rigid cable	mm <sup>2</sup>	6-25
Flexible cable	mm <sup>2</sup>	6-16
Torque	Nm	2
Connection screws		Pz2-M5
Terminal class		Cage
Impulse withstand voltage	Uimp kV	4
Short-circuit condicional capacity	Icc kA	6
Operational Voltage	Ue V	690
Insulation Voltage	Vac	690
Insulation Voltage	Vdc	600

**Dimensions**


SECTION A-A

**Operational Current**

	le A	40
AC21-Resistive Loads	3x230V	kW 15
	3x400V	kW 22
	3x500V	kW 30
AC22-Mixed Loads	3x230V	kW 11
	3x400V	kW 22
	3x500V	kW 22
AC23-Motor Loads	3x230V	kW 7.5
	3x400V	kW 18.5
	3x500V	kW 22

**Fixing drills**

**Electric properties according UL 508 – Manual Motor Controller**

1 phase 110-120Vac	hp	2
1 phase 220-240Vac	hp	5
3 phases 220-240Vac	hp	7,5
3 phases 380-415Vac	hp	10
3 phases 440-480Vac	hp	15
3 phases 550-600Vac	hp	20

**Electric Scheme-diagram**

n.º de ref.	1	3	5	7	9	11
<b>403</b>	○	○	○	○	○	○
Coaxial	2	4	6	8	10	12
	○	○	○	○	○	○
1- 0					×	
2- 1	×	×	×	×		×

**Manufactured and Certifications**

Manufactures and test according to European and American Standards:

 EN 60947-1: 2008  
 EN 60947-3: 2009  
 UL 508  
 EN 12101-3: 2002 (category F400)


Certifications:

CE

 Switch 4 poles 2 Positions  
 2 Aux. contacts

**Other Properties and Observations**

Padlockable in position 0 and 1

Aluminium Enclosure IP65

Color RAL 7040