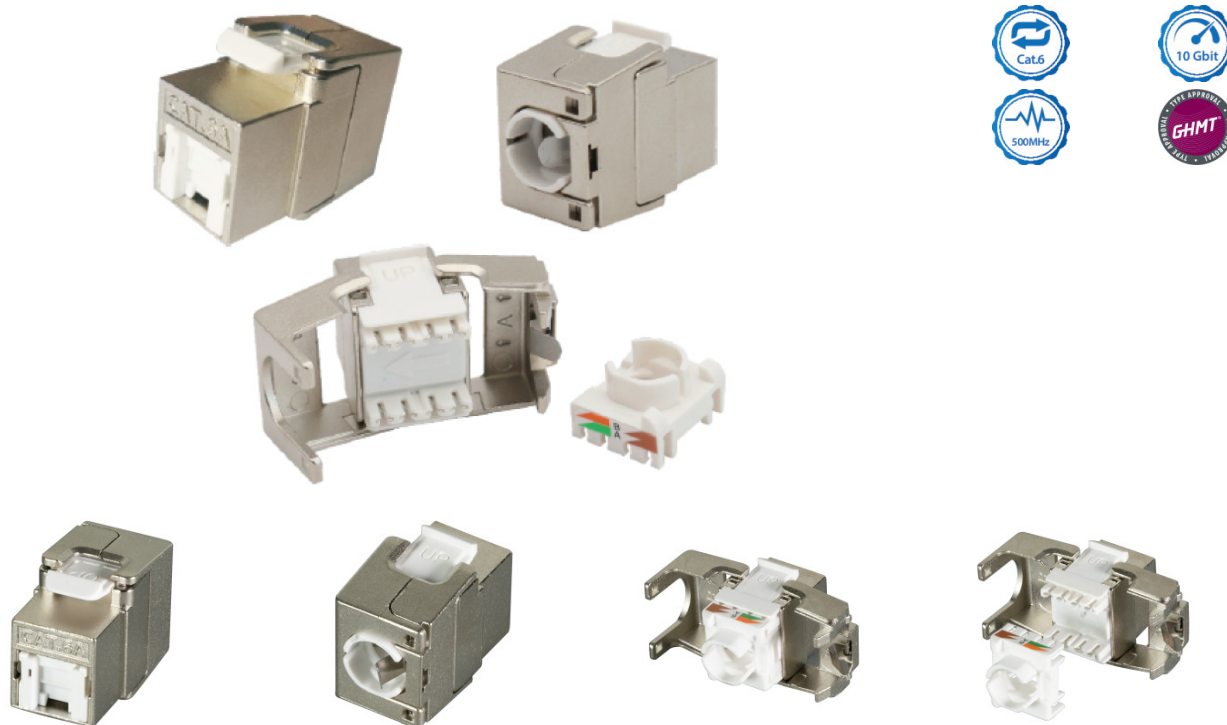


DATASHEET

RJ45 Shortbody Keystone STP, Cat.6A 500MHz with internal shutter



Description

The high quality of the RJ45 Shortbody Keystone Module ensures very good characteristics for 10 Gigabit Ethernet applications. Special tools are not required. The assembly is quick and easy. With the RJ45 module you get a fully shielded module, which offers you good services in your network installation for a long time. Due to its short installation depth of 30.5mm, installation in flush boxes and in limited spaces is even easier compared to standard keystones

Properties:

Installation depth of only 30.5mm

Compact cable pre-sorter for AWG22/1 ... AWG26/1

Pair management according to TIA/EIA 568 A/B colour codes (colour code printed on the cable pre-sorter)

Suitable for distribution panels and support rings with keystone breakout

Scope of supply:

1 x RJ45 Keystone, installation manual (English)

General data

Category	6A (TIA)
Model	jack (jack)
Connection type	Schneidklemm
Type of connector	RJ45 8(8)
Screened	True
AWG-range	22 - 26

This datasheet was created automatically on 08-02-2022 . Technical changes reserved.



DATASHEET

RJ45 Shortbody Keystone STP, Cat.6A 500MHz with internal shutter

General data

Special tool necessary	False
Suitable for round cable	True
Suitable for flat cable	False
Suitable for litz wire conductor	False
Suitable for solid core	True
Housing material	Zinc die cast
Type of locking	snap lock
Dust cover	ture, with internal shutter
Suitable for degree of protection (IP)	IP20

Mechanical characteristics

Max. cable diameter	8.5 mm
Insertion force	30 N
Mating cycles	750
Contact coating	30 μ "
Separate earthing flag	False
360° shield contact	False
Shield contact and strain relief separate	True

Environmental conditions

Temperature range	-10 – 60 °C
-------------------	-------------

Electrical characteristics

Dielectric Withstanding Voltage	DC1000V/AC750V 1min
Current Rating	1.5 A
Insulation Resistance	>500 M Ω
Contact Resistance	<10 m Ω

Available variants

Article no.	Title	Colour
E-20093	RJ45 Shortbody Keystone STP, Cat.6A 500MHz with internal shutter	silver

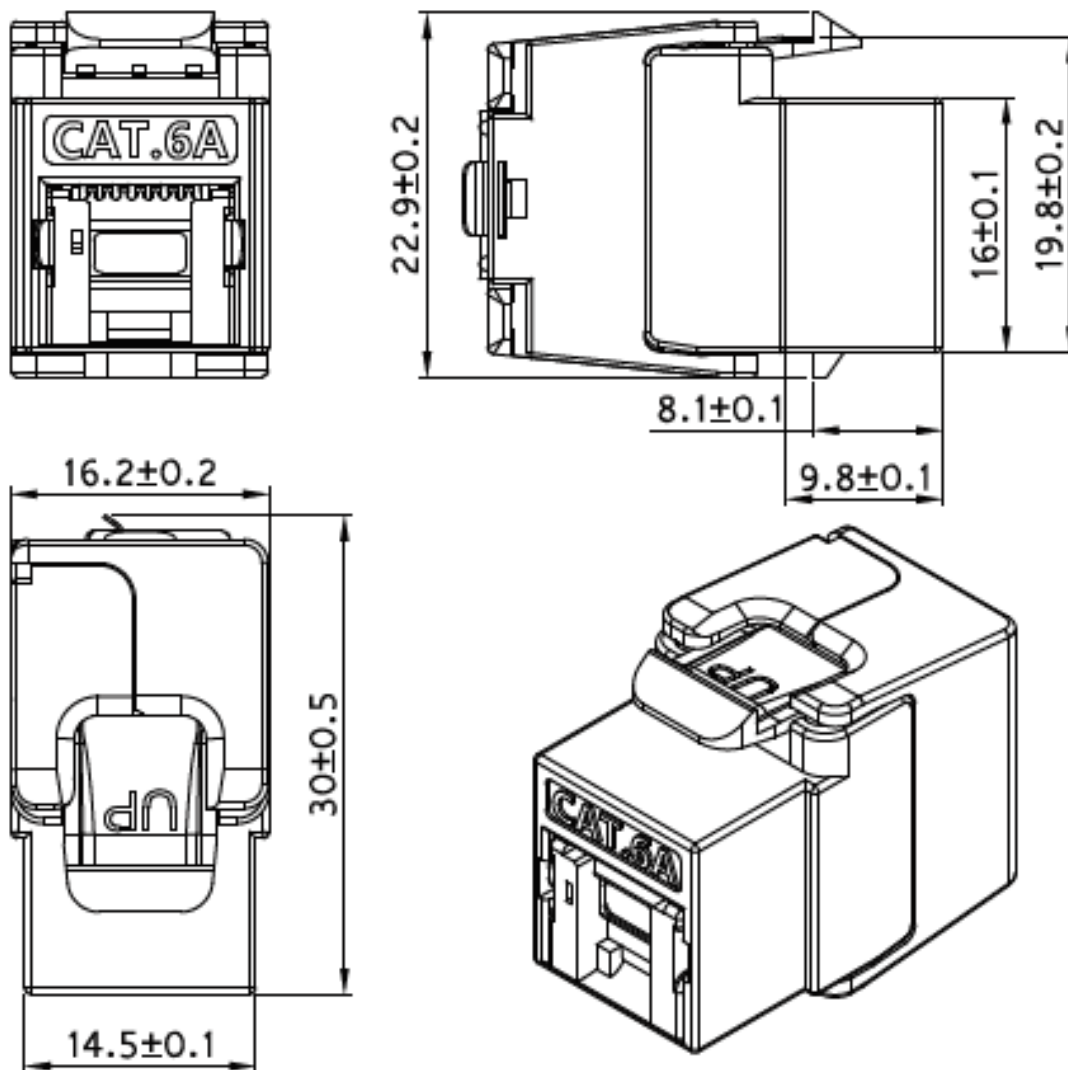
This datasheet was created automatically on 08-02-2022 . Technical changes reserved.



DATASHEET

RJ45 Shortbody Keystone STP, Cat.6A 500MHz with internal shutter

Technical drawings



This datasheet was created automatically on 08-02-2022 . Technical changes reserved.

DATASHEET

RJ45 Shortbody Keystone STP, Cat.6A 500MHz with internal shutter

Technical drawings



This datasheet was created automatically on 08-02-2022 . Technical changes reserved.



DATASHEET

RJ45 Shortbody Keystone STP, Cat.6A 500MHz with internal shutter

Technical drawings



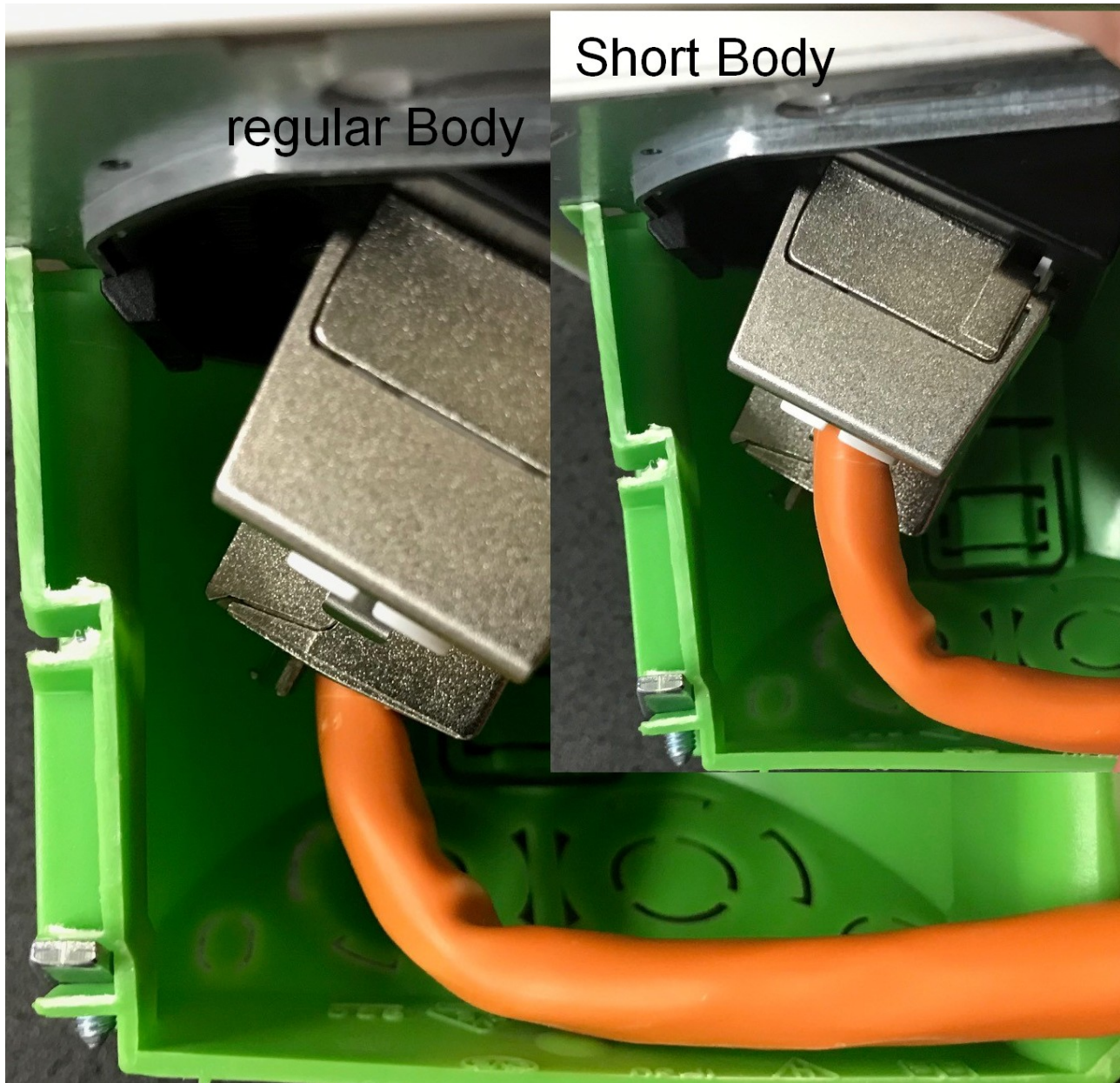
This datasheet was created automatically on 08-02-2022 . Technical changes reserved.



DATASHEET

RJ45 Shortbody Keystone STP, Cat.6A 500MHz with internal shutter

Technical drawings



This datasheet was created automatically on 08-02-2022 . Technical changes reserved.



DATASHEET

RJ45 Shortbody Keystone STP, Cat.6A 500MHz with internal shutter

Technical drawings



accessory

WX4500-FA-V2	Copper- and FO-Cable Certifier up to 2500MHz
37576.1	Distribution Panel 19" 1HE 24-Port, metal
37578.1	Distribution Panel 19" 1HE 24-Port, grey
37580.1	Distribution Panel 19" 1U 24-Port, black
K5510.2	RJ45 Patch cable S/FTP, Cat.6, LSZH, grey
MK7001.1Y	RJ45 Patch cable S/FTP, Cat.6A, LSZH, Cat.7 Raw cable, yellow
MK6001.3Y	RJ45 Patch cable S/FTP, Cat. 6A, yellow
K5525FGN.1	RJ45 Patch cable S/FTP, Cat.6A, Cat.7 Raw cable TPE superflex, green
MK7100.1-CPR	INFRALAN® Cat.7A Installation Cable S/FTP 1200 MHz, CPR B2ca
99985.1-CPR	INFRALAN® Cat.7A Installation Cable S/FTP 1250 MHz, CPR Cca
99981.1-CPR	INFRALAN® Cat.7 Installation Cable S/FTP 1000 MHz, CPR Cca
99980.1-CPR	INFRALAN® Cat.7 Installation Cable S/FTP 1000 MHz, CPR Eca
ET-25091	2-Port Frame Set for Keystone, straight outlet DIN49075, RAL9003 signal white

This datasheet was created automatically on 08-02-2022 . Technical changes reserved.

