

Description

Switch 6 Phases size.1

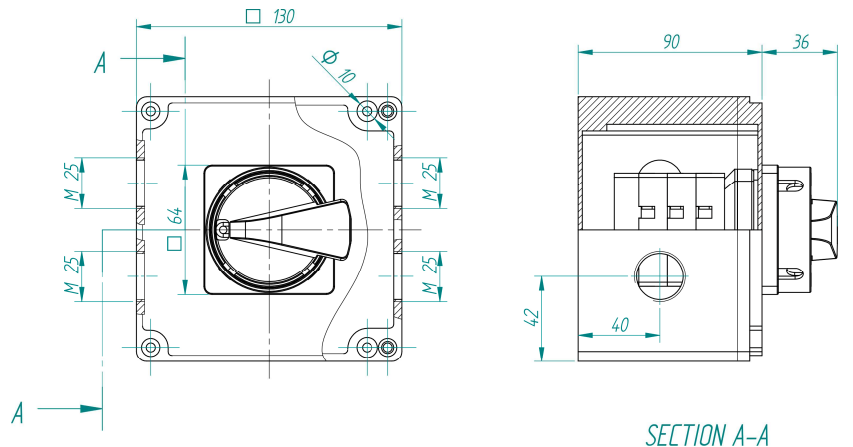
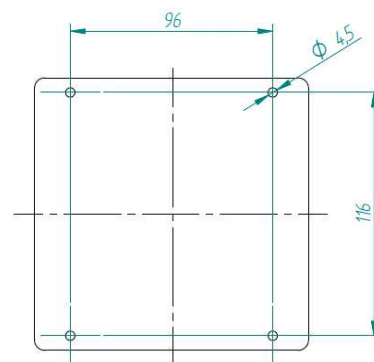
Current

25 A

J. Fuertes

Electrical Properties according EN 60947-3

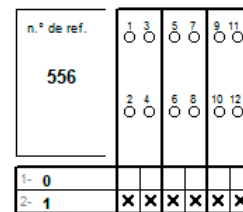
Thermic air Current	Ith A	25
Fuse protection máx. gG-aM	In A	25
Wire dimension	AWG	6
Rigid cable	mm ²	6-25
Flexible cable	mm ²	6-16
Torque	Nm	2
Connection screws		Pz2-M5
Terminal class		Cage
Impulse withstand voltage	Uimp kV	4
Short-circuit condicional capacity	Icc kA	6
Operational Voltage	Ue V	690
Insulation Voltage	Vac	690
Insulation Voltage	Vdc	400
Operational Current	Ie A	25

Dimensions

Fixing drills


AC21-Resistive Loads	Voltage	Power (kW)	Current (A)
AC21-Resistive Loads	3x230V	7.5	7.5
	3x400V	15	15
	3x500V	18.5	18.5
AC22-Mixed Loads	3x230V	7.5	7.5
	3x400V	11	11
	3x500V	15	15
AC23-Motor Loads	3x230V	4	4
	3x400V	7.5	7.5
	3x500V	11	11

Electric properties according UL 508 – Manual Motor Controller

1 phase 110-120Vac	hp	2
1 phase 220-240Vac	hp	3
3 phases 220-240Vac	hp	2
3 phases 380-415Vac	hp	3
3 phases 440-480Vac	hp	5
3 phases 550-600Vac	hp	7

Electric Scheme-diagram


Switch 6 poles 2 Positions

Manufactured and Certifications

Manufactures and test according to European and American Standards:

 EN 60947-1: 2008
 EN 60947-3: 2009
 UL 508
 EN 12101-3: 2002 (category F400)

Certifications:

CE


Other Properties and Observations

Padlockable in position 0 and 1

Aluminium Enclosure IP65

Color RAL 7040