

ECOFAN P

Recirculation ceiling fan

Air displacement 22.000 m³/h.



For more information,
downloads and
videos, visit the Ecofan
P page on our website





Silent and low maintenance air distributor

The ECOFAN P140 is particularly suited to better distributing hot air in a room. Achieving better distribution of air can reduce heating bills.

The ceiling fan is supplied without a position control. A reverse operating thermostat can also be supplied as an option so that the unit is switched on automatically if the temperature below the ceiling rises.

The ECOFAN P140 can, if desired, also be placed in low spaces thanks to a supplied rod of 150 mm.

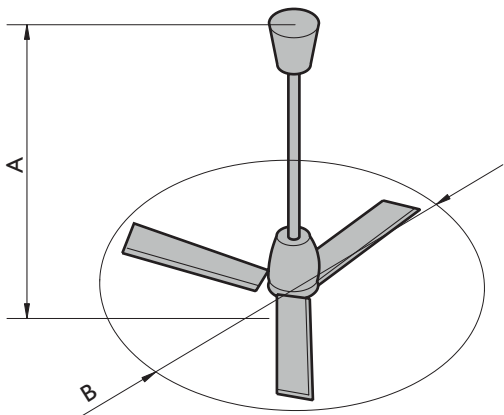
Possible applications include: factories, schools, churches, shops and offices.



Product features

- Large air displacement
- Supplied in RAL 9010 colour as standard
- Low noise
- Efficient
- Equipped with safety cord

Dimensions



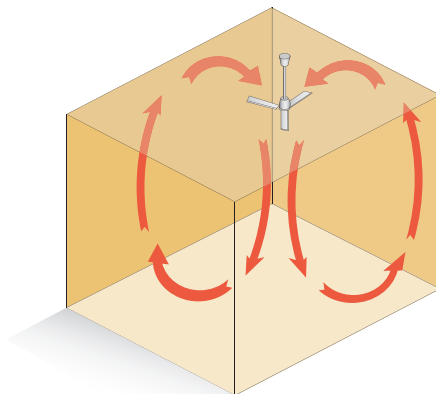
P140		
A	mm	610
B	mm	1400

Technical information

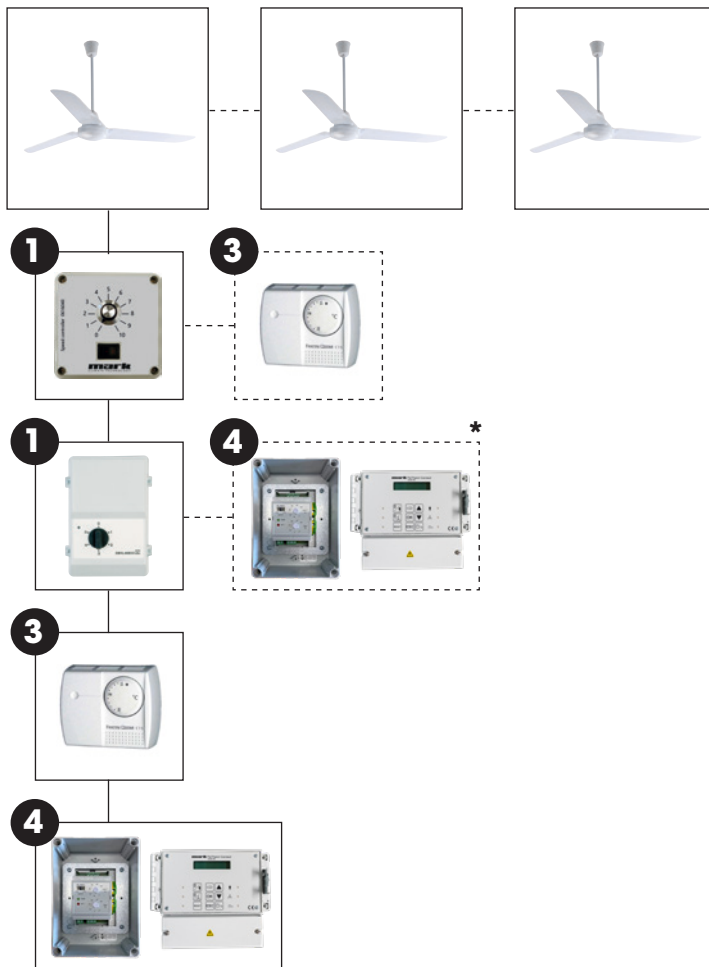
Type	P140	
Air displacement	m ³ /h	22.000
Motor rating	W	67
Consumed current	A	0.30
Motor speed	min ⁻¹	290
∅ Fan	mm	1400
Supply voltage (50Hz)	V	1-230
Weight	kg	5,0
Suspension height	m	4-9

Assembly/location suggestions

- Number of fans
- Number of fans per 1000 m²: 12
 - Covered m² per fan: 83



Controls



Control combination options

Ecofan P	+	1	
Ecofan P	+	1	+ 3
Ecofan P	+	1	+ 4 *
Ecofan P	+	3	
Ecofan P	+	1	+ 3
Ecofan P	+	4	

1 = Controller P140 for 9 fans (0616040)

2 = 5-step regulator, 230V-6,0A (3003095)

3 = Room thermostat (4A) (0629013)

4 = Destratification control RJ402 incl. PinTherm Connect (3002660)

* This allows the Ecofan to be manually regulated in speed (no automatic speed control).

Prices Ecofan P



PRODUCT - ECOFAN P CEILING FAN

Code nr.	Description
5990814	ECOFAN P140, air amount 22.000 m3/h

ACCESSORIES - CONTROLS

Code nr.	Description
3 0629013	Room thermostat (4A)
0631162	Isolator switch, separate delivery, 230 Volt (2 poles)
1 3003095	5-step regulator, 230V-6,0A*
1 0616040	Controller P140 for 9 fans
4 3002660	Destratification control RJ402 incl. PinTherm Connect

For explanation see chapter control equipment

REMARKS

* More than one fans connected on the regulator