



# TECHNICAL DATASHEET

Date 04-09-19

Revision v.1

Gawe Electro SL

REF: AL553B1F4

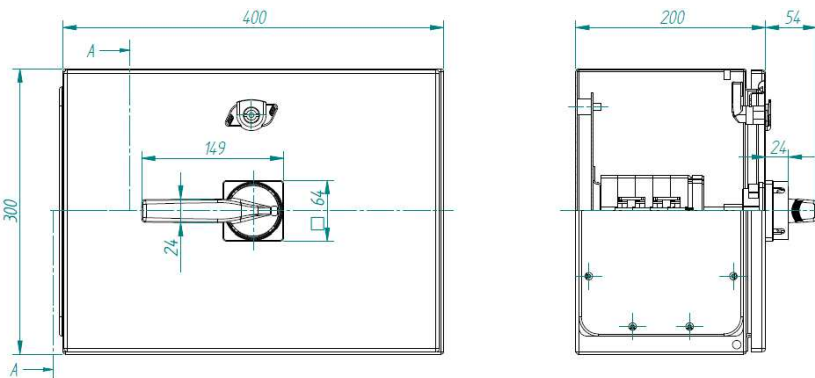
Aproved by

**Description** Switch 4 Phase size.2**Current** 200 A

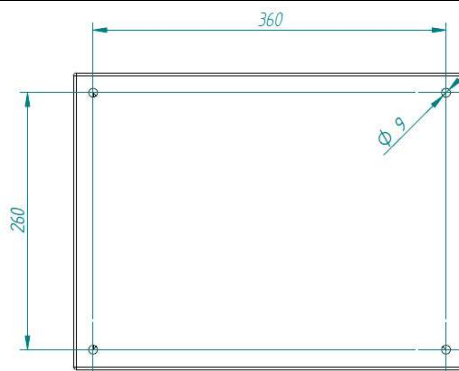
J.Fuertes

**Electrical Properties according EN 60947-3****Dimensions**

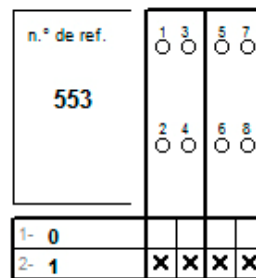
Thermic air Current	Ith A	200
Fuse protection máx. gG-aM	In A	200
Wire dimension	AWG	-
Rigid cable	mm <sup>2</sup>	95
Flexible cable	mm <sup>2</sup>	95
Torque	Nm	12
Connection screws		M8
Terminal class		Tubular
Impulse withstand voltage	Uimp kV	4
Short-circuit condicional capacity	Icc kA	-
Operational Voltage	Ue V	690
Insulation Voltage	Vac	690
Insulation Voltage	Vdc	600
Operational Current	Ie A	200



AC21-Resistive Loads	3x230V	kW	55
	3x400V	kW	110
	3x500V	kW	132
AC22-Mixed Loads	3x230V	kW	45
	3x400V	kW	90
	3x500V	kW	110
AC23-Motor Loads	3x230V	kW	38
	3x400V	kW	65
	3x500V	kW	80

**Fixing drills****Electric properties according UL 508 – Manual Motor Controller****Electric Scheme-diagram**

1 phase 110-120Vac	hp	-
1 phase 220-240Vac	hp	-
3 phases 220-240Vac	hp	-
3 phases 380-415Vac	hp	-
3 phases 440-480Vac	hp	-
3 phases 550-600Vac	hp	-

**Manufactured and Certifications**

Manufactures and test according to European and American Standards:

EN 60947-1: 2008  
 EN 60947-3: 2009  
 EN 12101-3: 2002 (category F400)

Certifications:

CE



Switch 4 phase 2 positions

**Other Properties and Observations**

Padlockable in position 0 and 1

Steel Enclosure IP65

Color RAL 7035