

JB-K-0-PTD-100-Ex

Ex e JUNCTION BOX WALL MOUNTING OR PIPE MOUNTED XP-1

FOR PTD-100



ISO 9001
REGISTERED

ART. NO. 433.148.123

English

Junction box JB-K-0-PTD-100- for connection of Thermon PTD-100 to a temperature controller in hazardous areas.

Caution: This product must be installed correctly. Water ingress must be avoided before, during and after installation.

- Before installing the product read these instructions completely
- Connect the metallic braid to earth
- Use only ratchet controlled crimp pliers
- Installation must comply with local requirements for electric heat tracing systems
- See also installation instructions for the PTD-100

Illustrations:

- All dimensions shown in illustrations are in millimetres

1.-2. Signal cable termination, details might vary per signal cable type, consult installation instructions of signal cable manufacturer for more details.

3.-4. Ensure entries are sealed off for IP66 degree of protection.

5. For various positions of junction box, ensure:

- Glands never face up to avoid water ingress.

6. Ensure all terminal connections are tightened sufficiently.

A - white

B - Red

C - Green/Yellow

7. Tighten screws cross wise.

Conductor cross section	Max. signal cable length between PTD-100 and controller
1.5 mm ²	1,0 km
2.5 mm ²	1.7 km
4.0 mm ²	2.7 km

- Maximum lengths for temperatures up to 40°C.
- Max. loop resistance for controller input is 30 Ohm, incl. 1 Ohm allowance for contact resistance at terminal.
- Conductor to be solid or stranded.



THERMON...The Heat Tracing Specialists®

TEP-II-433.148.123-1103

Thermon Europe B.V. (European Headquarters)

Boezemweg 25 • 2641 KG Pijnacker
P.O. Box 205 • 2640 AE Pijnacker • The Netherlands
Phone: +31 - (0)15 - 3 61 53 70 • Facsimile: +31 - (0)15 - 3 61 53 79
www.thermon-europe.com

Thermon Benelux B.V. (Belgium, The Netherlands and Luxembourg)

Boezemweg 25 • 2641 KG Pijnacker
P.O. Box 205 • 2640 AE Pijnacker • The Netherlands
Phone: +31 - (0)15 - 3 69 67 41 • Facsimile: +31 - (0)15 - 3 69 70 45
E-mail: benelux@thermon-europe.com

Thermon Deutschland GmbH (Germany, Switzerland and Austria)

Im Technologiepark Bergisch-Gladbach • Friedrich-Ebert-Straße • West Haus Nr. 34/1
D-51429 Bergisch-Gladbach • Germany
Phone: +49 - (0)22 04 - 30 99-0 • Facsimile: +49 - (0)22 04 - 30 99-10
E-mail: germany@thermon-europe.com

Thermon France S.N.C. (France, Spain, Portugal and Africa)

19, Rue du Marais • 93100 Montreuil Cedex • France
Phone: +33 - (0)1 - 48 70 42 90 • Facsimile: +33 - (0)1 - 48 57 68 87
E-mail: france@thermon-europe.com

Thermon UK Ltd. (United Kingdom)

7th Avenue • Team Valley Trading Estate • Gateshead
Tyne and Wear NE11 0JW • United Kingdom
Phone: +44 - (0)191 - 4 99 49 00 • Facsimile: +44 - (0)191 - 4 99 49 01
E-mail: uk@thermon-europe.com

Thermon Export (Middle East, Scandinavia and Italy)

7th Avenue • Team Valley Trading Estate • Gateshead
Tyne and Wear NE11 0JW • United Kingdom
Phone: +44 - (0)191 - 4 99 49 00 • Facsimile: +44 - (0)191 - 4 99 49 01
E-mail: export@thermon-europe.com

Thermon Europe GmbH, Eastern Europe Group (Eastern Europe)

Im Technologiepark Bergisch-Gladbach • Friedrich-Ebert-Straße • West Haus Nr. 34/1
D-51429 Bergisch-Gladbach • Germany
Phone: +49 - (0)22 04 - 30 99-0 • Facsimile: +49 - (0)22 04 - 30 99-10
E-mail: thermon-eastern@thermon-europe.com

Thermon Ltd. (Russia)

Ul. Friedrich Engels 31/35 • 107082 Moscow • Russia
Phone: +7 - 0 95 - 9 33 85-56 or 57 • Facsimile: +7 - 0 95 - 9 33 85-58
E-mail: moscow@thermon-europe.com

Thermon Sakhalin (Russia)

Chekhov Street 26 • 693000 Yuzhno-Sakhalinsk • Russia
Phone: +7 - 42 42 - 72 67 77 • Facsimile: +7 - 42 42 - 72 44 41
E-mail: sakhalin@thermon-europe.com

Thermon Kazakhstan Ltd. (Kazakhstan)

Ul. Auezowa 2 • 465003 Atyrau • Kazakhstan
Phone: +7 - 3 12 - 2 25 83 54 • Facsimile: +7 - 3 12 - 2 25 63 54
E-mail: atyrau@thermon-europe.com

Thermon Manufacturing Company (Corporate Headquarters)

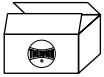
100 Thermon Drive • San Marcos, TX 78666
P.O. Box 609 • San Marcos, TX 70609 • U.S.A.
Phone: +1 - 5 12 - 3 96 58 01 • Facsimile: +1 - 5 12 - 3 96 36 27
www.thermon.com



HERMON...The Heat Tracing Specialists®

INSTALLATION INSTRUCTIONS JB-K-0-PTD-100 Ex

Subject to change without prior notice

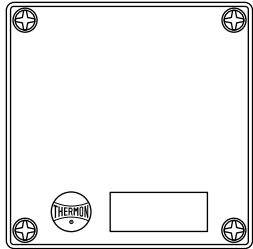


JB-K-0-PTD-100-EX

433.148.123

CE 0539 Ex II 2 G EEx e II T4/T6

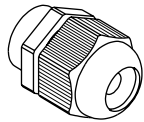
02ATEX132025X



2x M20-B-IND
454.104.010



1x M25-PWR-IND
453.105.410



∅ < DN 25/1" NPS	ABA 25	479.000.032
∅ < DN 40/1 1/2" NPS	ABA 40	479.000.033
∅ < DN 100/4" NPS	B-4	479.011.060
∅ < DN 250/10" NPS	B-10	479.011.061
∅ < DN 530/21" NPS	B-21	479.011.062



4 x

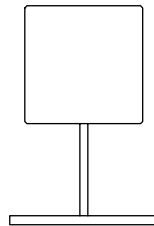


PTD-100

443.909.953

CE 0539 Ex II 2 G EEx d IIC

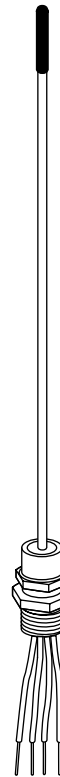
02ATEX132021U



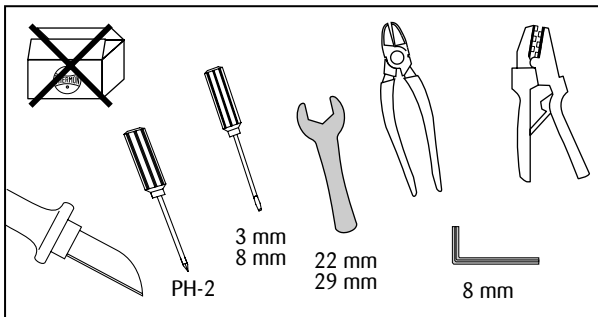
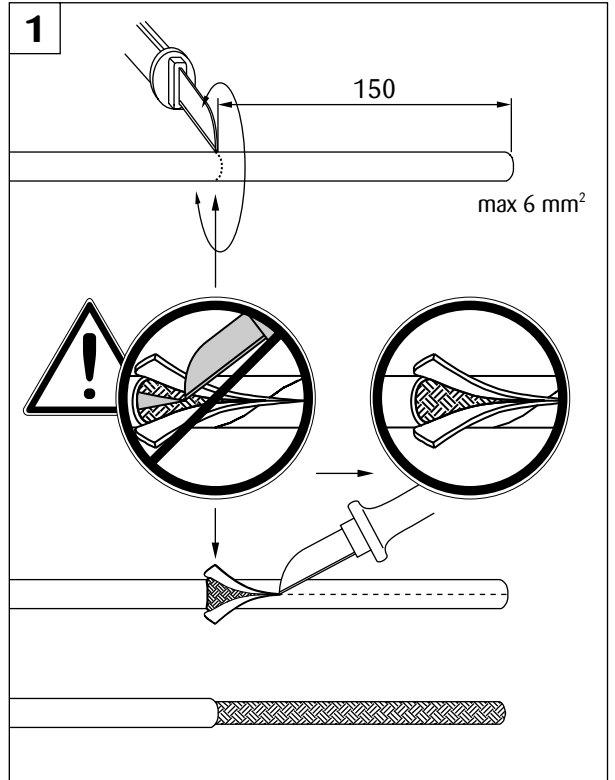
XP-1 140x140

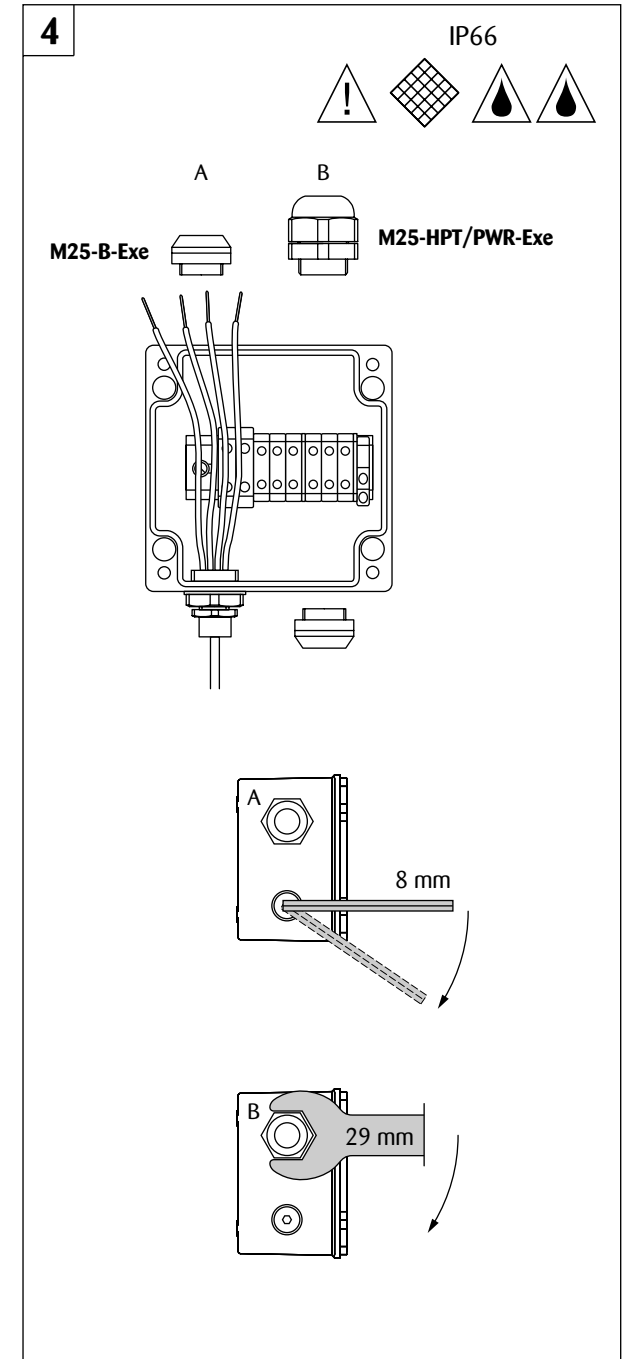
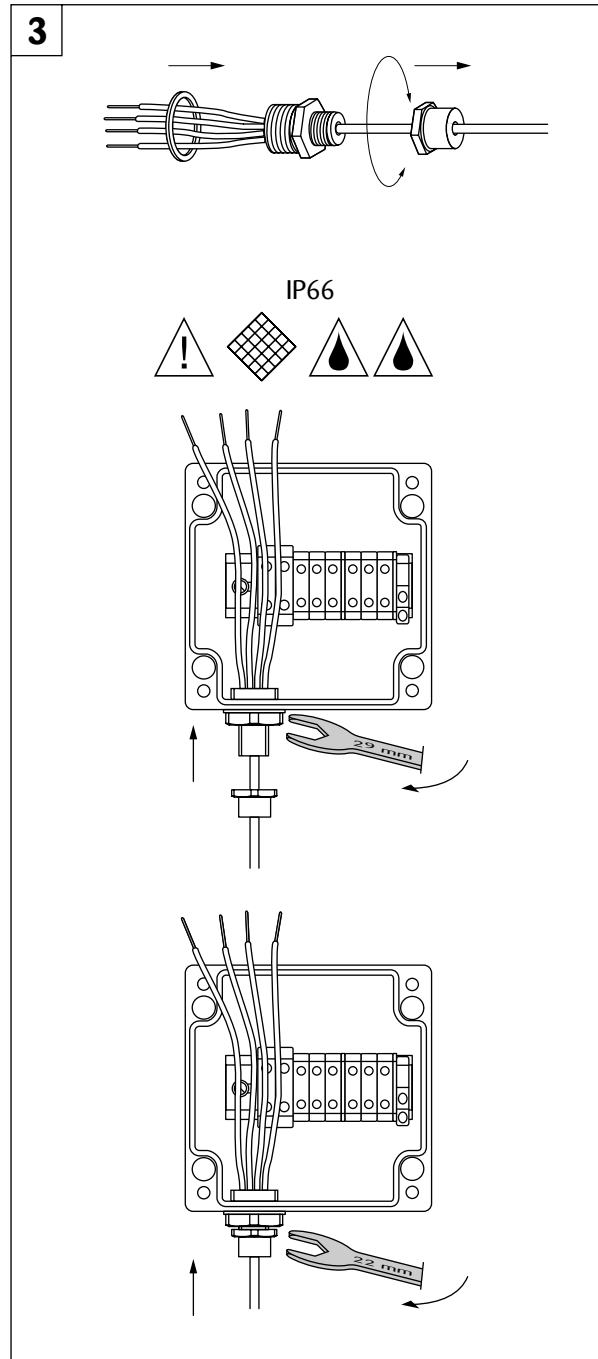
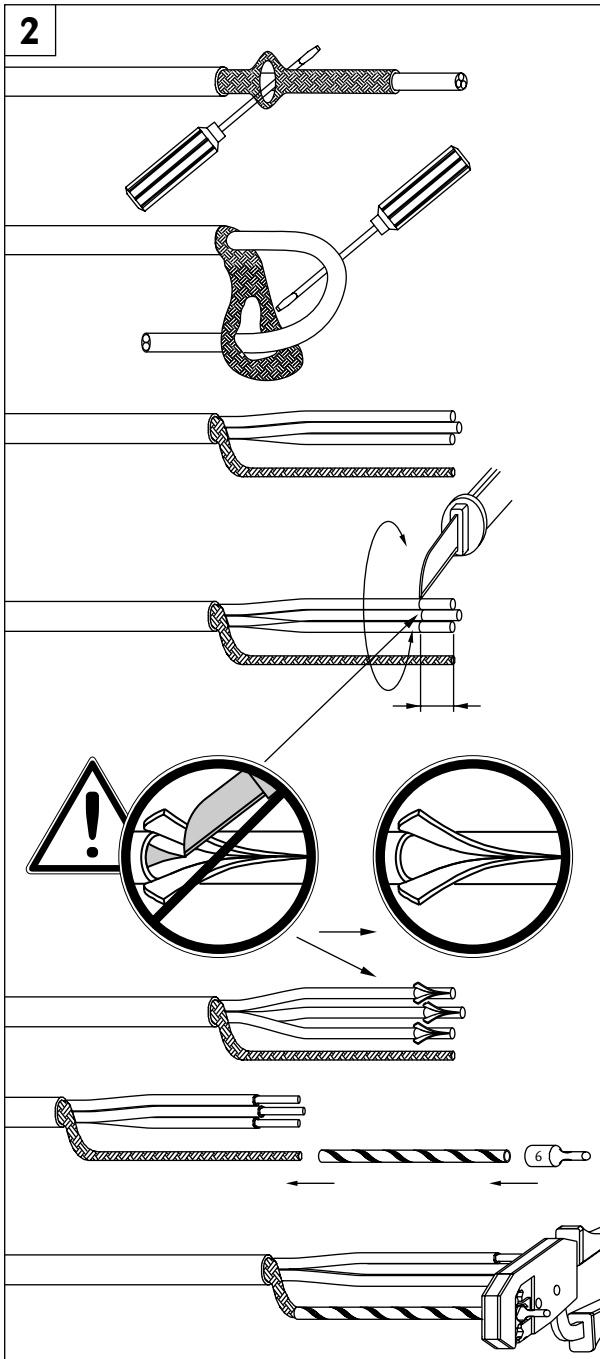
479.000.022

1x M20

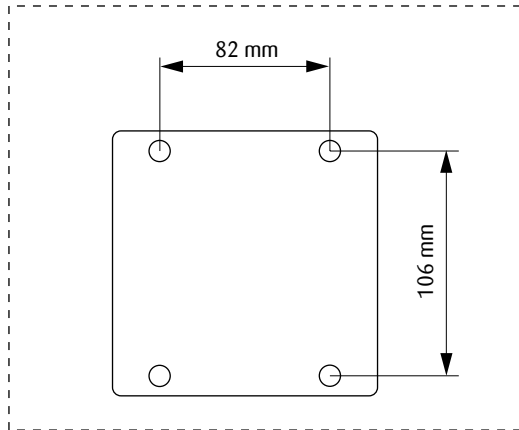
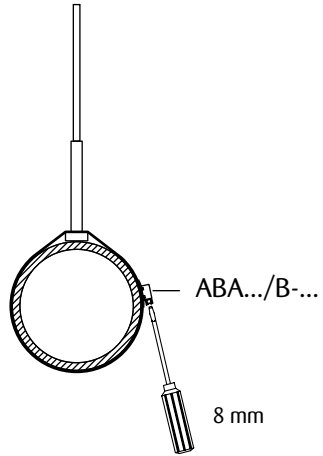
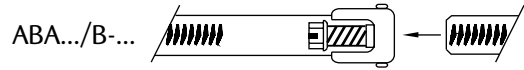


THERMON...The Heat Tracing Specialists®

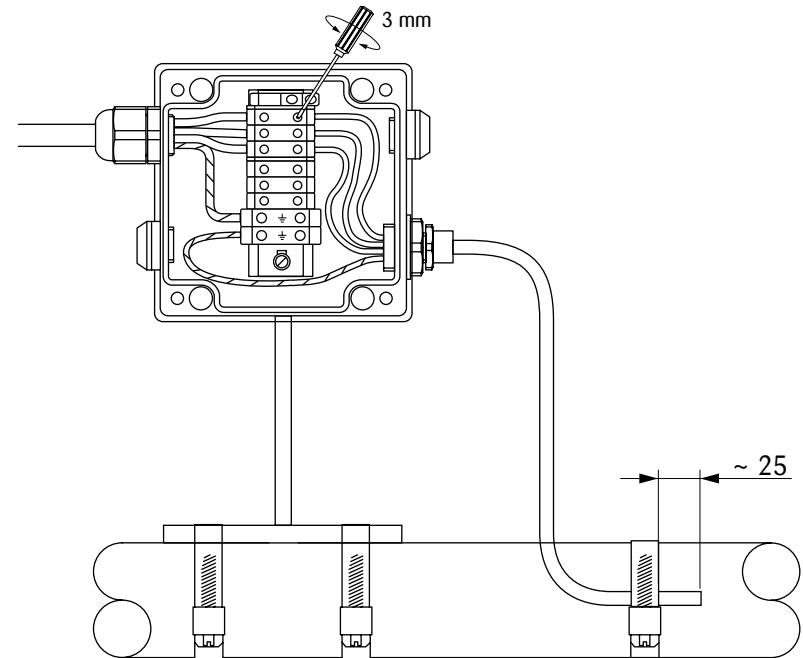
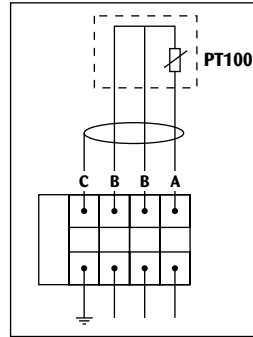
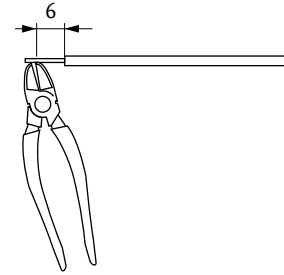




5



6



7

