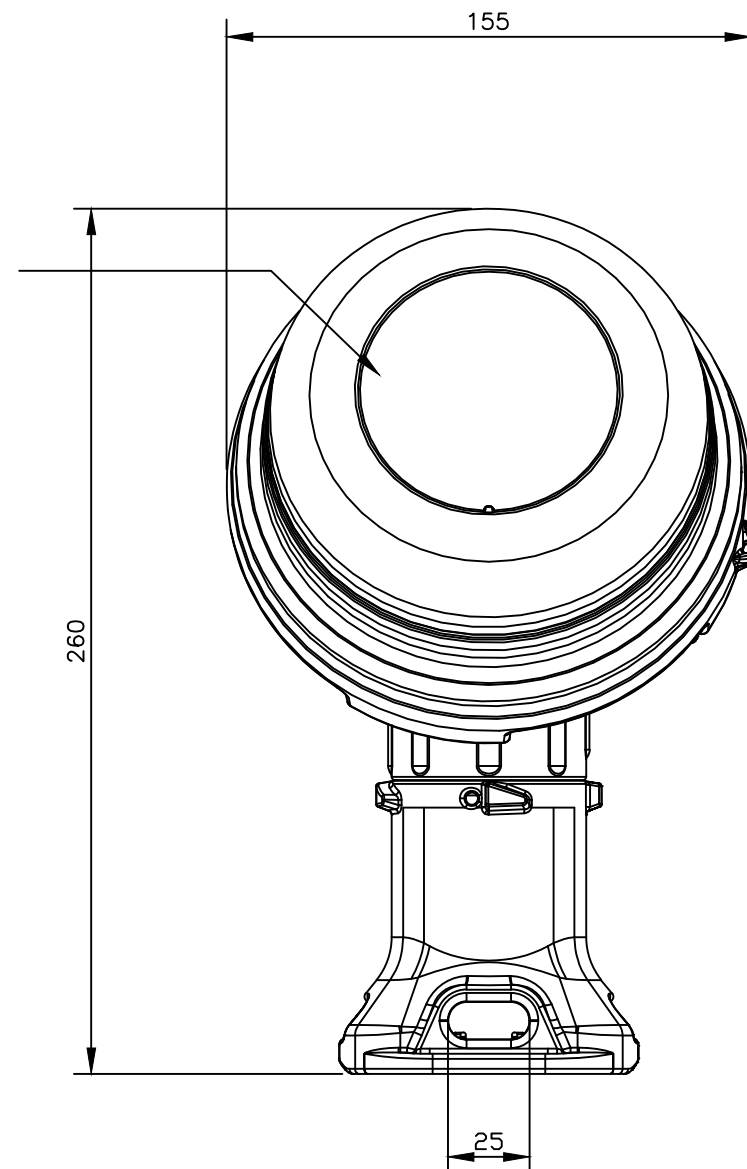
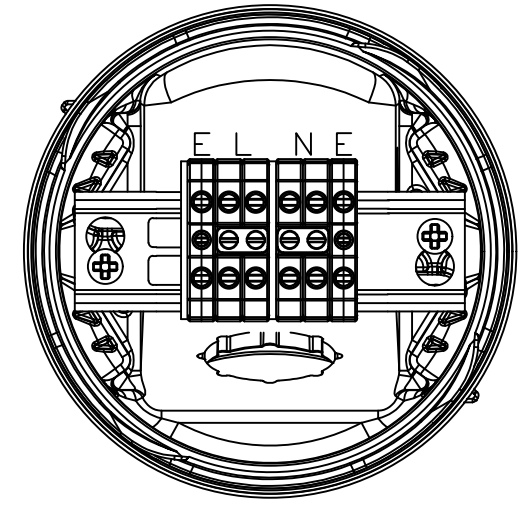
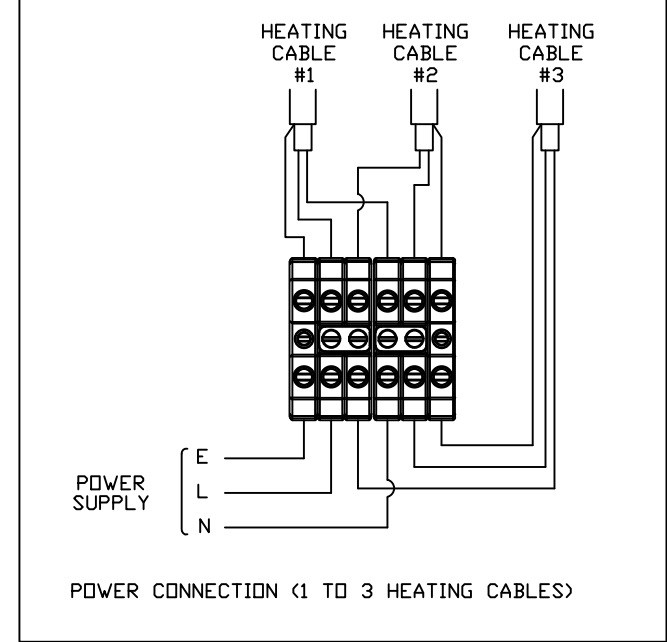


CERTIFICATION LABEL  
FITTED HERE  
(SEE APPROVAL  
CERTIFICATE FOR  
FULL DETAILS)



LID CHAINED TO  
MAIN BODY



INTERNAL ARRANGEMENT

DESCRIPTION	Non-metallic junction box, IP66, for Thermon Heat Tracing cables BSX, RSX, VSX, KSX, HTSX, HPT, FP with non-metallic expediter.
ENTRIES	Qty 2 threaded M25 (one side)
TERMINALS	Qty 4 6mm <sup>2</sup> Power (2 x L linked, 2 x N linked) Qty 2 6mm <sup>2</sup> Earth
CERTIFICATION	CE Ex II 2G & D EEx e II T4/T6
SPECIAL TOOLS	Terminator-LN-Tool for securing of Expediter locknut.



MATERIAL	G.R.P.
IP RATING	IP66
MAX. EXPOSURE TEMP.	250°C
MIN. OPERATING TEMP.	-60°C

REV	COMMENTS	DRAWN	APPROVED	APPROVED DATE
01	ISSUED FOR COMMENTS / APPROVAL.	P.J.C.	C.L.	14/01/2013

CLIENT:	GENERAL
PROJECT:	GENERAL
EQUIPMENT:	ELECTRICAL TRACE HEATING
ORDER NUMBER:	GENERAL
CONTRACT NUMBER:	GENERAL
THERMON PART REFERENCE:	431.121.255

TITLE: TERMINATOR ZP-XP POWER JUNCTION BOX  
GENERAL ARRANGEMENT

DRAWING NUMBER: ZP-XP

REV 01