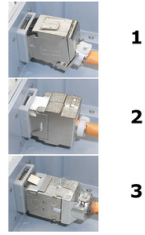


AP Outlet IP67

surface mounted
for 1 or 2 modules



RJ45 outlet IP67

- 1 MS-K Plus 1/8 Cat. 6A (IEC)
- 2 KS-T 1/8 Cat. 6/EA
KS-T 5 1/8 Cat. 5/5e
KS-T Plus 1/8 Cat. 6A tool-less
KS-TS 1/8 Cat. 6/EA tool-less
slimline
- 3 PS-GG45 7_A

DESCRIPTION

Structured premises cablings in the industrial sector, for the transmission of Ethernet protocols. Outlet IP67, surface mounted, for 2 modules (types see above). For information on the properties of the module: see data sheet of the requested module.

Protection rating IP67 when used together with RJ45 patch cords IP67.

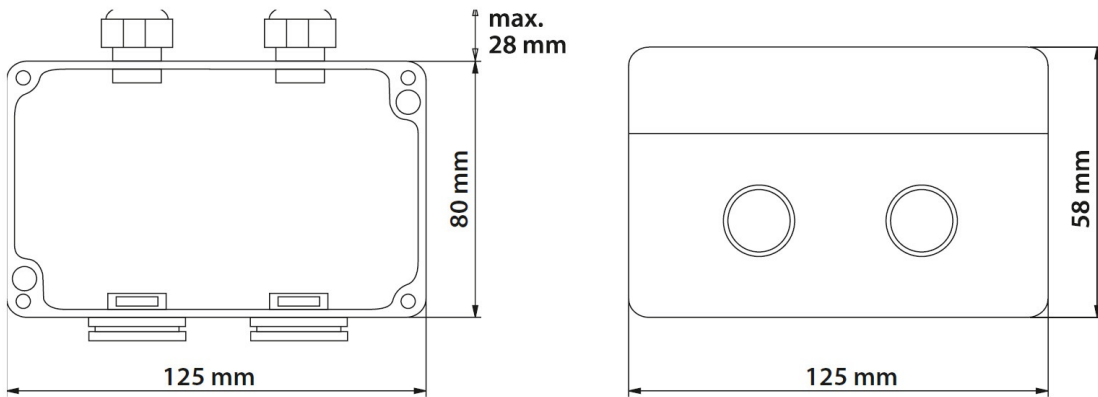
Protection rating IP20 when used together with standard RJ45 patch cords.

Gasket for the incoming data cables with M16 screwed cable gland. Stable housing made of aluminium, grey, similar to RAL 7035.

Wall-/floor mounting by internal screw openings.

Delivery without modules.

DESIGN



DIMENSIONS

W x H x D = 125 x 80 x 58 mm

VERSIONS

Article No.	Product	Colour	PU
417533	AP outlet IP67 for 1 module (delivery without modules)	silver grey	1 pc.
417530	AP outlet IP67 for 2 modules (delivery without modules)	silver grey	1 pc.