

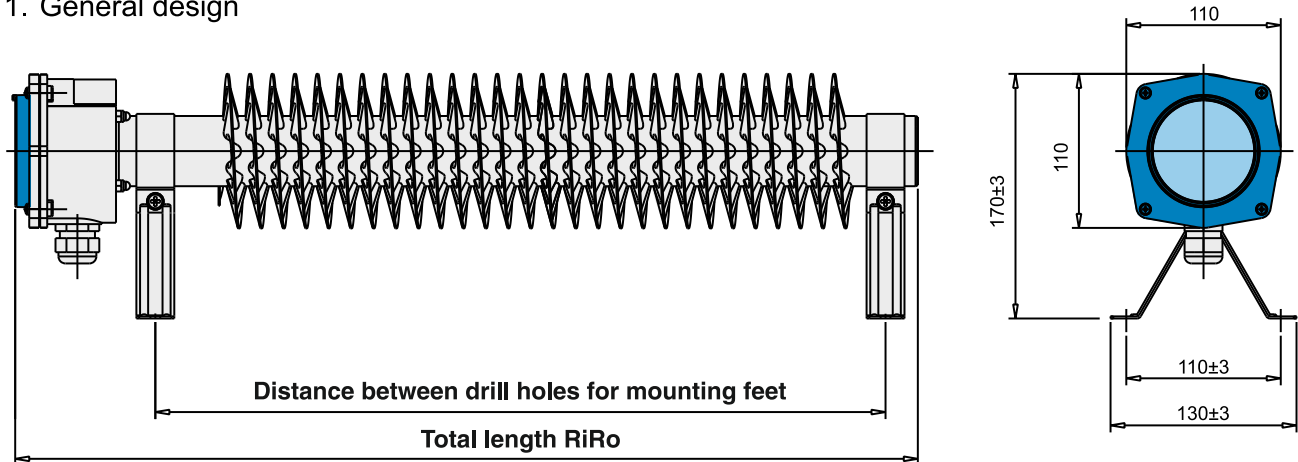
# Finned Tube Heaters

## Technical Datasheet

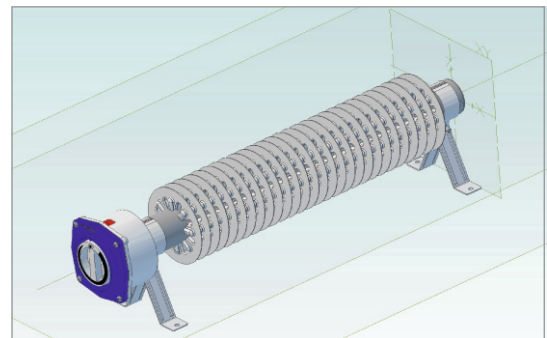
Date 03/2025, subject to change

Information regarding safety, installation and operating is provided in the mounting and operating instructions.

### 1. General design



Design	
According to DIN EN 60335-1 / 60335-2-30	
Ø Tube	50 mm
Ø Fins	110 mm
Height	170 mm
Width	130 mm
Material finned tube	Stainl. steel 1.4512 (409) or 1.4571 (316)
Material terminal box	PA6-GF30
Material heating element	Technical ceramics C221 and C520 Heating conductors acc. to DIN 17470
Cable entry	Cable gland M20x1,5 PA
Degree of protection (IP)	IP66 / IP67 acc. to DIN EN 60529



3D-CAD-models available

### 2. Dimensions and weights

Finned tube heater type	RiRo -u	RiRo -a	RiRo -s	RiRo -f / -fa	RiRo -nt / -nta	RiRo length	Distance drill holes	Weight (net.)
valid for all types RiRo .... E / .... EA4	500 W	500 W		120 W		440 mm	320 mm	2,9 kg
	1000 W	1000 W	1000 W			640 mm	520 mm	4,2 kg
	1500 W	1500 W	1500 W			840 mm	720 mm	5,6 kg
	2000 W	2000 W	2000 W	600 W	500 W	1040 mm	920 mm	6,9 kg
	3000 W	3000 W	3000 W	935 W	800 W	1440 mm	1320 mm	10,1 kg
	4000 W			1200 W	1000 W	1840 mm	1720 mm	12,9 kg
	5000 W					2240 mm	2120 mm	16,9 kg
	6000 W					2640 mm	2520 mm	18,5 kg
<b>max. surface temp.*</b>	<b>240°C</b>			<b>115°C</b>	<b>ΔT = 67K**</b>			

\* on the top of the fins

\*\* difference of 67°C to room temperature, e.g. 10°C room temperature → 77°C on the top of the fins

### 3. Overview types

Series	Type	Power range	Controls	Length range
Universal	<b>RiRo-u</b>	500 W - 6000 W	without integrated controls	440 mm - 2640 mm
Automatic	<b>RiRo-a</b>	500 W - 3000 W	Thermostat frost protection / +5...+30°C	440 mm - 1440 mm
3-step-switch	<b>RiRo-s</b>	1000 W - 3000 W	step-switch 0-I-II-III	640 mm - 1440 mm
For rooms with fire-risk	<b>RiRo-f</b>	120 W - 1200 W	without integrated controls	440 mm - 1840 mm
For rooms with fire-risk automatic	<b>RiRo-fa</b>	120 W - 1200 W	Thermostat frost protection / +5...+30°C	440 mm - 1840 mm
Low surface temperature	<b>RiRo-nt</b>	500 W - 1000 W	without integrated controls	1040 mm - 1840 mm
Low surface temperature automatic	<b>RiRo-nta</b>	500 W - 1000 W	Thermostat frost protection / +5...+30°C	1040 mm - 1840 mm

### 4. Electrical connection values

Heater type	Power	Voltage
RiRo -u (without integrated controls)	500 W	230 V =/~
RiRo -u (without integrated controls)	1000 W - 3000 W	230 V =/~ 230/400 V 3 (N) ~
RiRo -u (without integrated controls)	4000 W - 6000 W	230/400 V 3 (N) ~
RiRo -s (integrated 3-step-switch)	1000 W - 3000 W	230 V ~
RiRo -a (integrated thermostat)	500 W - 3000 W	230 V ~
RiRo -f (for rooms with fire-risk / without integrated controls)	120 W	230 V =/~
RiRo -f (for rooms with fire-risk / without integrated controls)	600 W - 1200 W	230 V =/~ 230/400 V 3 (N) ~
RiRo -fa (for rooms with fire-risk / integrated thermostat)	120 W - 1200 W	230 V ~
RiRo -nt (low surface temperature / without integrated controls)	500 W - 1000 W	230 V =/~
RiRo -nta (low surface temperature / integrated thermostat)	500 W - 1000 W	230 V ~

Special voltage possible, e.g. 400 V 2 P ~, 290/500 V 3 ~, etc.

### 5. Certification



Friedrich Schultze GmbH  
Am Birlenbach 15  
D-57078 Siegen  
Tel. +49 (0) 271 890 46-0  
Fax +49 (0) 271 890 46-13  
eMail: info@schultze-riro.de

[www.schultze-riro.de](http://www.schultze-riro.de)