

# DATASHEET

## RJ45 Cat.6A IP68 adapter



### Description

IP68 cable connector for outdoor installation. Integrated Cat.6A RJ45 jack to facilitate connection. Designed for transmissions up to 500MHz according to ISO/IEC 11801 ClassEA and Data transmission rate up to 10 Gbit/s.

- Easy installation
- Waterproof cable connector of protection class IP68
- Max. Voltage of 125V and max. current of 1.5A
- Cable gland in M16
- For cables with a max. diameter of 19.5mm
- L x D 121.5mm x 28 mm

### General data

Category	6A (TIA)
Construction type	straight
Type of connector	2 x RJ45
Model	female/female
Type of fastening	other

### Environmental conditions

Temperature Range (Operation)	0 - 70 °C
Temperature Range (Storage)	-40 - 85 °C

### Available variants

Article no.	Title	Screened
IP68DFKRJ456AWP	RJ45 Cat.6A IP68 adapter, Jack/Jack Connection module	True

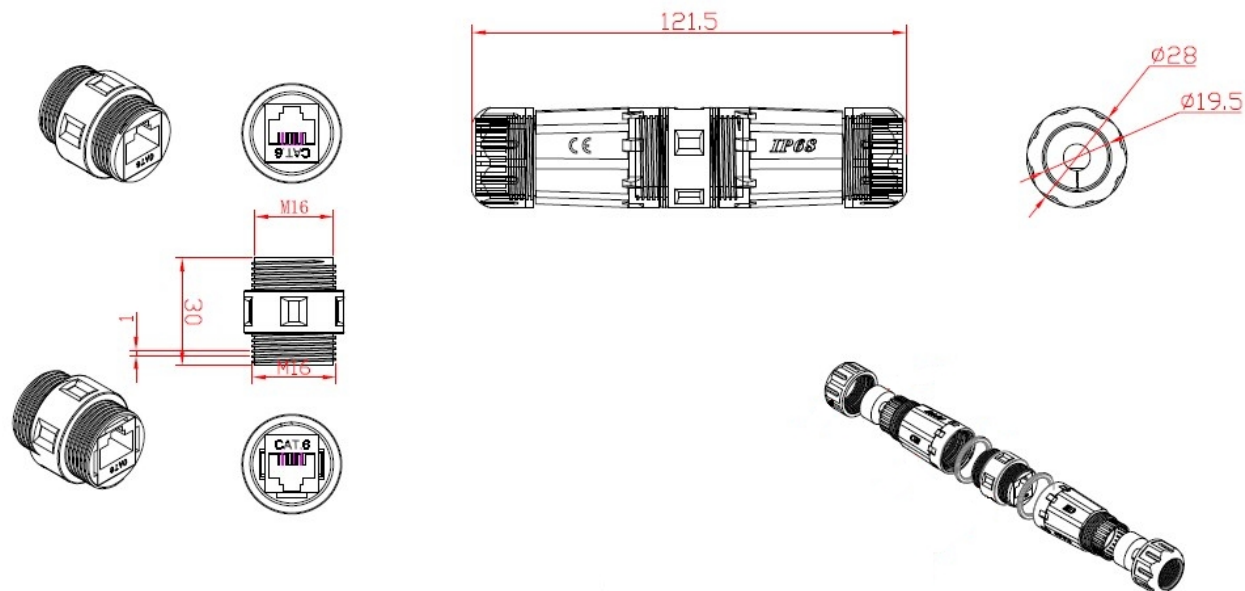
This datasheet was created automatically on 04-01-2022 . Technical changes reserved.



# DATASHEET

## RJ45 Cat.6A IP68 adapter

### Technical drawings



### accessory

88035.1	RJ45 Connector STP, Cat.6, Field-Plug
99733.100-CPR	Cat.7 Indoor/Outdoor cable 1200MHz AWG23 S/FTP
IP68FST6AA	IP68 Cable gland for RJ45 field assembly plugs, 4.5-6.5mm
IP68DFKRJ45WP	RJ45 Cat.6 IP68 adapter
IP68EBKS	IP68 Receptacle for keystone modules and adapters
IP68FST6AB	IP68 Cable gland for RJ45 field assembly plugs, 6.5-9.0mm
IP68EBCAP	IP68 Dust cap for receptacles
IP68ST6ATM	IP68 cable gland for RJ45 HRS TM11/21/31 St
IP68STCAP	IP68 Dust cap for cable gland
K3130.1	RJ45 Patch cable S/FTP, Cat.6A, PUR, Cat.7 Raw cable, TM31, black

This datasheet was created automatically on 04-01-2022 . Technical changes reserved.

