



# TECHNICAL DATASHEET

Date 04-09-19

Revision v.1

Gave Electro SL

REF: AL55391F4

Aproved by

**Description** Switch 4 Phases size.2

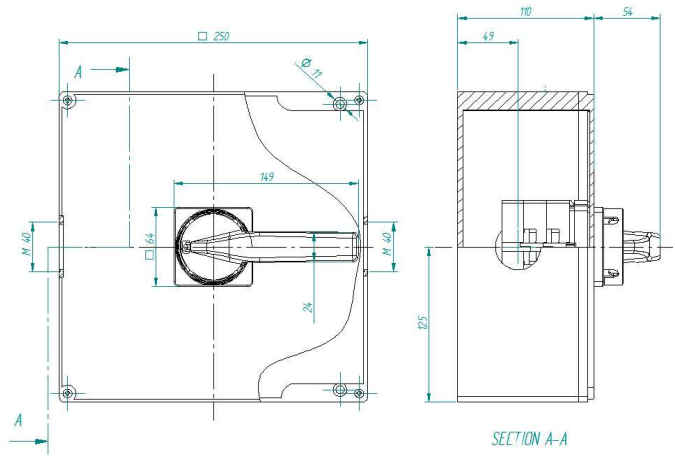
J. Fuertes

**Current** 125 A

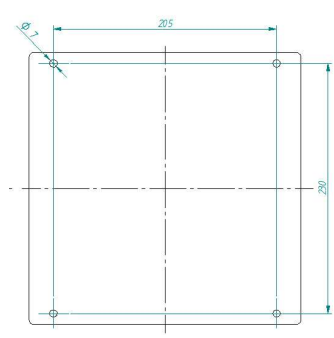
**Electrical Properties according EN 60947-3**

**Dimensions**

Thermic air Current	Ith A	125	
Fuse protection máx. gG-aM	In A	125	
Wire dimension	AWG	6-1	
Rigid cable	mm <sup>2</sup>	16-50	
Flexible cable	mm <sup>2</sup>	16-50	
Torque	Nm	3.5	
Connection screws		Pz3-M8	
Terminal class		Cage	
Impulse withstand voltage	Uimp kV	4	
Short-circuit condicional capacity	Icc kA	8	
Operational Voltage	Ue V	690	
Insulation Voltage	Vac	690	
Insulation Voltage	Vdc	600	
Operational Current	Ie A	125	
AC21-Resistive Loads	3x230V	kW	37
	3x400V	kW	75
	3x500V	kW	90
AC22-Mixed Loads	3x230V	kW	30
	3x400V	kW	55
	3x500V	kW	75
AC23-Motor Loads	3x230V	kW	18,5
	3x400V	kW	37
	3x500V	kW	45



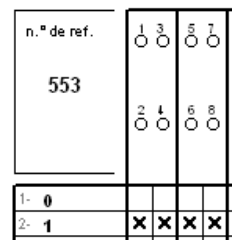
**Fixing drills**



**Electric properties according UL 508 – Manual Motor Controller**

**Electric Scheme-diagram**

1 phase 110-120Vac	hp	10
1 phase 220-240Vac	hp	15
3 phases 220-240Vac	hp	25
3 phases 380-415Vac	hp	30
3 phases 440-480Vac	hp	40
3 phases 550-600Vac	hp	50



Switch 4 phases 2 positions


**Manufactured and Certifications**

Manufactures and test according to European and American Standards:

EN 60947-1: 2008  
 EN 60947-3: 2009  
 UL 508  
 EN 12101-3: 2002 (category F400)

Certifications:

CE



**Other Properties and Observations**

Padlockable in position 0 and 1

Aluminium Enclosure IP65

Color RAL 7040