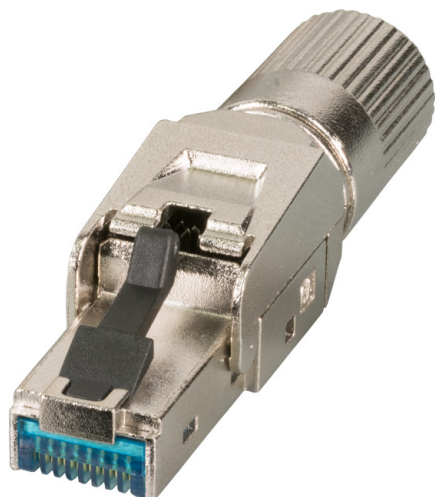


DATASHEET

RJ45 Premium plug STP, Cat.6A/ClassEA, Field-plug

Cat.6A 10 Gbit



Description

The Cat. 6A Premium RJ45 is a highlight in the chain of further development of RJ45 connectors for field assembly. An extraordinarily robust full metal housing made of zinc die-casting paired with the unique variable cable feed opens up a wide range of application possibilities. Installation can be done in **9 different positions**: 8 different angled positions and a 180° straight cable entry. The conical metal cable gland allows cable diameters from 6.0mm to 9.0mm. The connector meets the requirements of transmission class Cat. 6A/Class EA and supports the Ethernet protocol up to **10 Gigabit** per second.

General data

Category	6A (IEC)
Model	jack (jack)
Connection type	IDC
Type of connector	RJ45 8(8)
Screened	True
AWG-range for litz wire conductor	22 - 27
AWG-range for solid core	22 - 26
Special tool necessary	No
Suitable for round cable	yes
Suitable for flat cable	No
Suitable for litz wire conductor	yes
Suitable for solid core	yes

This datasheet was created automatically on 03-12-2020 . Technical changes reserved.



DATASHEET

RJ45 Premium plug STP, Cat.6A/ClassEA, Field-plug

General data

Housing material	Zinc alloy
Complaint to UL94	V-0

Mechanical characteristics

Max. cable diameter	9.0 mm
Mating cycles	750
Contact coating	50 µ"

Electrical characteristics

Dielectric Withstanding Voltage	1000 V DC
Current Rating	1,5 A
Insulation Resistance	500 MΩ
Contact Resistance	20 mΩ
4PPOE certified	yes

Available variants

Article no.	Title	Colour
88035P8.1	RJ45 Premium plug STP, Cat.6A/ClassEA, Field-plug, full metal	Silber

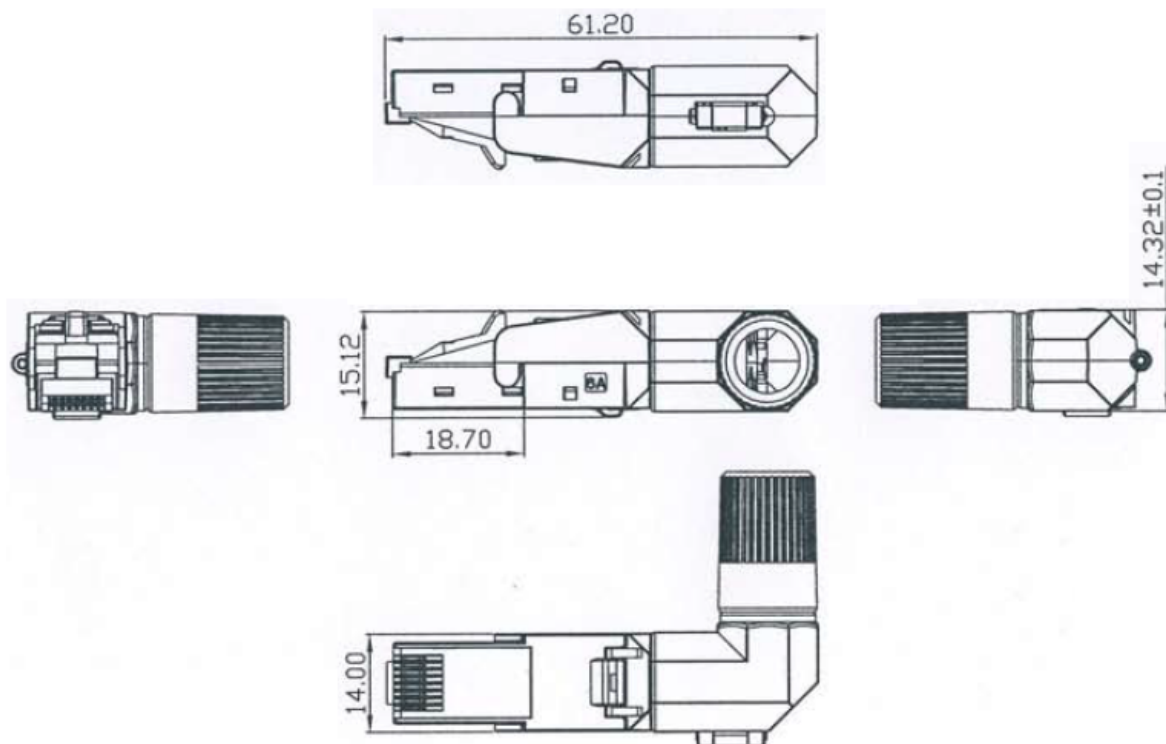
This datasheet was created automatically on 03-12-2020 . Technical changes reserved.



DATASHEET

RJ45 Premium plug STP, Cat.6A/ClassEA, Field-plug

Technical drawings



This datasheet was created automatically on 03-12-2020 . Technical changes reserved.

