



TECHNICAL DATASHEET

Date 04-09-19

Revision v.1

Gave Electro SL

REF: AL55321F4

Aproved by

Description Switch 4 Phases size.1

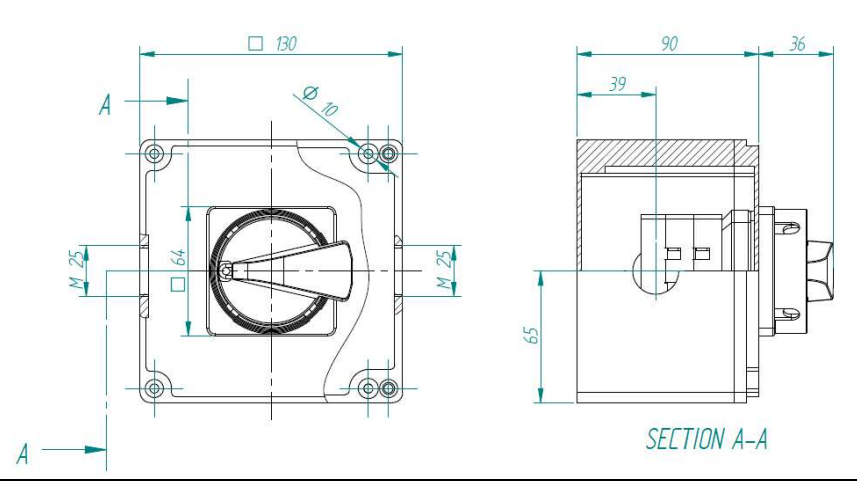
Current 25 A

J. Fuertes

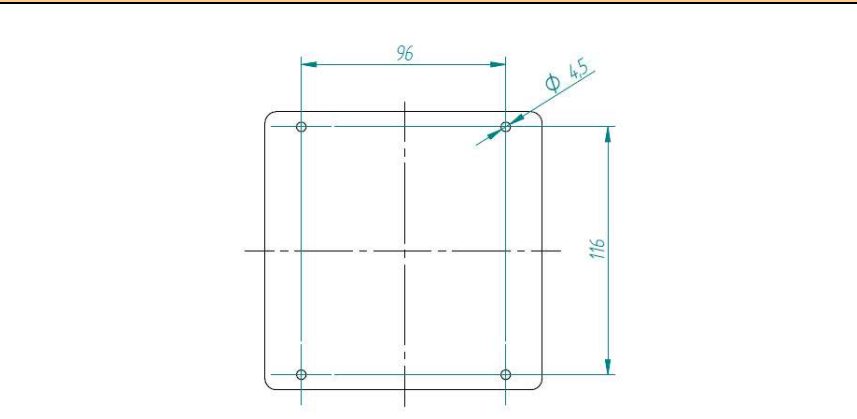
Electrical Properties according EN 60947-3

Dimensions

Thermic air Current	Ith A	25	
Fuse protection máx. gG-aM	In A	25	
Wire dimension	AWG	6	
Rigid cable	mm ²	6-25	
Flexible cable	mm ²	6-16	
Torque	Nm	2	
Connection screws		Pz2-M5	
Terminal class		Cage	
Impulse withstand voltage	Uimp kV	4	
Short-circuit condicional capacity	Icc kA	6	
Operational Voltage	Ue V	690	
Insulation Voltage	Vac	690	
Insulation Voltage	Vdc	400	
Operational Current	Ie A	25	
AC21-Resistive Loads	3x230V	kW	7.5
	3x400V	kW	15
	3x500V	kW	18.5
AC22-Mixed Loads	3x230V	kW	7.5
	3x400V	kW	11
	3x500V	kW	15
AC23-Motor Loads	3x230V	kW	4
	3x400V	kW	7.5
	3x500V	kW	11



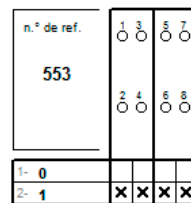
Fixing drills



Electric properties according UL 508 – Manual Motor Controller

Electric Scheme-diagram

1 phase 110-120Vac	hp	2
1 phase 220-240Vac	hp	3
3 phases 220-240Vac	hp	2
3 phases 380-415Vac	hp	3
3 phases 440-480Vac	hp	5
3 phases 550-600Vac	hp	7



Switch 4 poles 2 Positions

Manufactured and Certifications

Manufactures and test according to European and American Standards:

- EN 60947-1: 2008
- EN 60947-3: 2009
- UL 508
- EN 12101-3: 2002 (category F400)

Certifications:

CE



Other Properties and Observations

Padlockable in position 0 and 1

Aluminium Enclosure IP65

Color RAL 7040