



# TECHNICAL DATASHEET

Date 01-03-18

Revision v.1

Gave Electro SL

REF: AL55321F4-G

Aproved by

**Description** Switch 4 Phases size.1

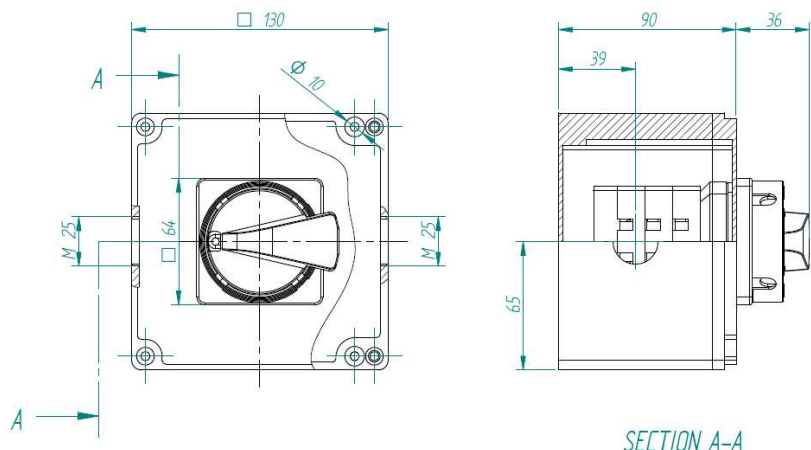
J. Fuertes

**Current** 25 A

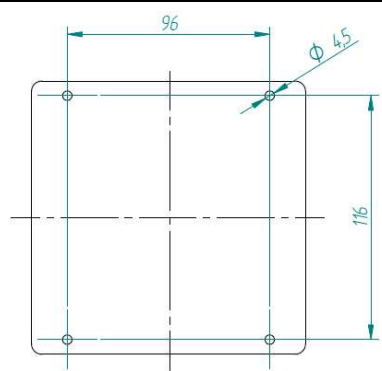
**Electrical Properties according EN 60947-3**

**Dimensions**

Thermic air Current	Ith A	25	
Fuse protection máx. gG-aM	In A	25	
Wire dimension	AWG	6	
Rigid cable	mm <sup>2</sup>	6-25	
Flexible cable	mm <sup>2</sup>	6-16	
Torque	Nm	2	
Connection screws		Pz2-M5	
Terminal class		Cage	
Impulse withstand voltage	Uimp kV	4	
Short-circuit condicional capacity	Icc kA	6	
Operational Voltage	Ue V	690	
Insulation Voltage	Vac	690	
Insulation Voltage	Vdc	400	
Operational Current	Ie A	25	
AC21-Resistive Loads	3x230V	kW	7.5
	3x400V	kW	15
	3x500V	kW	18.5
AC22-Mixed Loads	3x230V	kW	7.5
	3x400V	kW	11
	3x500V	kW	15
AC23-Motor Loads	3x230V	kW	4
	3x400V	kW	7.5
	3x500V	kW	11



**Fixing drills**



**Electric properties according UL 508 – Manual Motor Controller**

**Electric Scheme-diagram**

1 phase 110-120Vac	hp	2
1 phase 220-240Vac	hp	3
3 phases 220-240Vac	hp	2
3 phases 380-415Vac	hp	3
3 phases 440-480Vac	hp	5
3 phases 550-600Vac	hp	7

n.º de ref.	1	3	5	7	9	11
<b>403</b>	○	○	○	○	○	○
Coaxial	○	○	○	○	○	○
2- 0						×
2- 1	×	×	×	×		×

**Manufactured and Certifications**

Manufactures and test according to European and American Standards:

- EN 60947-1: 2008
- EN 60947-3: 2009
- UL 508
- EN 12101-3: 2002 (category F400)

Certifications:

CE



Switch 4 poles 2 Positions  
2 Aux. contacts

**Other Properties and Observations**

Padlockable in position 0 and 1

Aluminium Enclosure IP65

Color RAL 7040