



TECHNICAL DATASHEET

Date

27-09-18

Revision

v.2

Gawe Electro SL

REF: AL55241F4

Aproved by

J.Fuertes

Description

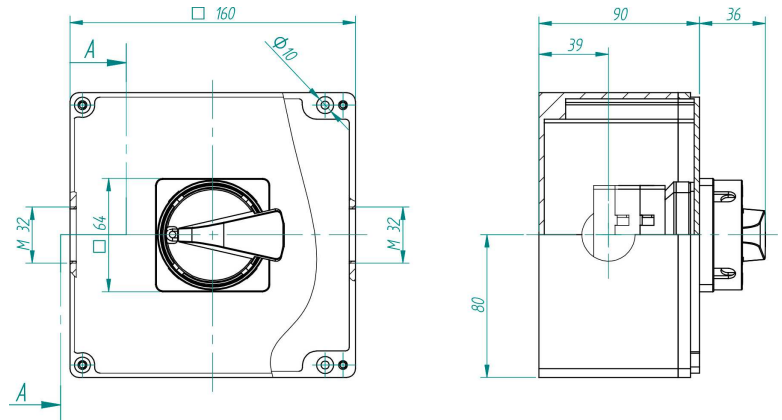
Switch 3 Phases size.1

Current

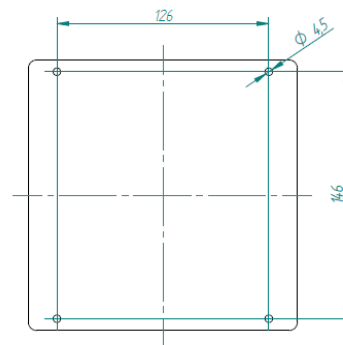
40 A

Electrical Properties according EN 60947-3

Thermic air Current	Ith A	40
Fuse protection máx. gG-aM	In A	40
Wire dimension	AWG	6
Rigid cable	mm ²	6-25
Flexible cable	mm ²	6-16
Torque	Nm	2
Connection screws		Pz2-M5
Terminal class		Cage
Impulse withstand voltage	Uimp kV	4
Short-circuit condicional capacity	Icc kA	6
Operational Voltage	Ue V	690
Insulation Voltage	Vac	690
Insulation Voltage	Vdc	600
Operational Current	Ie A	40

Dimensions

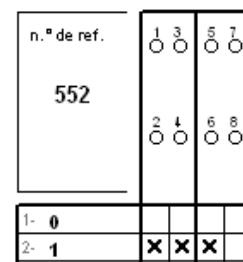
SECTION A-A

Fixing drills

AC21-Resistive Loads	3x230V	kW	15
	3x400V	kW	22
	3x500V	kW	30
AC22-Mixed Loads	3x230V	kW	11
	3x400V	kW	22
	3x500V	kW	22
AC23-Motor Loads	3x230V	kW	7.5
	3x400V	kW	18.5
	3x500V	kW	22

Electric properties according UL 508 – Manual Motor Controller

1 phase 110-120Vac	hp	2
1 phase 220-240Vac	hp	5
3 phases 220-240Vac	hp	7,5
3 phases 380-415Vac	hp	10
3 phases 440-480Vac	hp	15
3 phases 550-600Vac	hp	20

Electric Scheme-diagram

Switch 3 poles 2 Positions

Manufactured and Certifications

Manufactures and test according to European and American Standards:

EN 60947-1: 2008
 EN 60947-3: 2009
 UL 508
 EN 12101-3: 2002 (category F400)

Certifications:

CE

**Other Properties and Observations**

Padlockable in position 0 and 1

Aluminium Enclosure IP65

Color RAL 7040