



Norsat
International Inc.

Innovative Communication Solutions

LNB

C-BAND PLL

3000C

HIGH STABILITY

SPECIFICATIONS

Noise Temperature	20K to 25K at room temp. @ CF Depending on model number
L.O. Stability	±5 kHz, ±10 kHz
Phase Noise (SSB) max.	-73 dBc/Hz at 1 kHz -83 dBc/Hz at 10 kHz -93 dBc/Hz at 100 kHz
Input VSWR	2.3 : 1 max.
Output VSWR	2.3 : 1 max.
Gain	62 dB typ., 60 dB min., 70 dB max.
Gain Flatness (over full band)	≤ 4 dB p-p max.
Output P1dB	+ 5 dBm min.



DC Power	+ 12V to + 24V DC
Current	250 mA max.
Input (waterproof)	CPR-229G waveguide grooved
Output (waterproof)	F-Connector (75 Ohm) N-Connector (50 Ohm)
Dimensions (L x W x H)	180 mm x 100 mm x 70 mm (7.1 in x 4.0 in x 2.8 in)
Weight	575 g (20.28 oz)
Operating Temperature	- 40 to + 60°C
Storage Temperature	- 40 to + 80°C

FREQUENCY BANDS

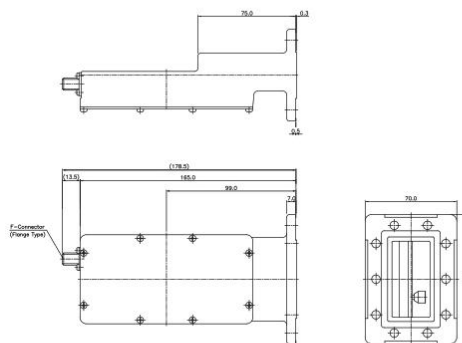
Frequency Band (GHz)	3.625 to 4.20
L.O. Frequency (GHz)	5.15
IF Frequency (MHz)	950 to 1525

HOW TO ORDER

3120CN

CONNECTOR	F - 75 Ohm N - 50 Ohm
FREQUENCY	C: 3.625-4.2 GHz
NOISE TEMPERATURE	20 - 20 K 25 - 25 K
L.O. STABILITY	1: ±5 kHz 2: ±10 kHz
LNB SERIES #	

MECHANICAL DIAGRAM



REGUCOM

ventas: gustars@regucom.com.mx
telefono: 55 5696 6690