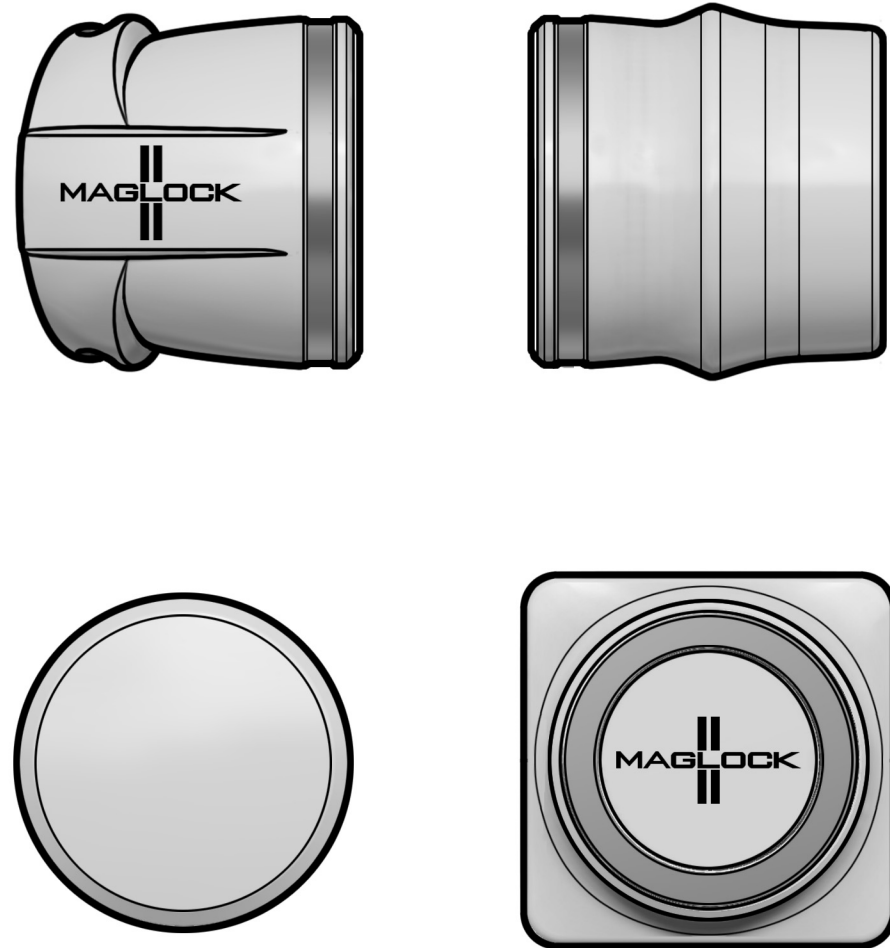
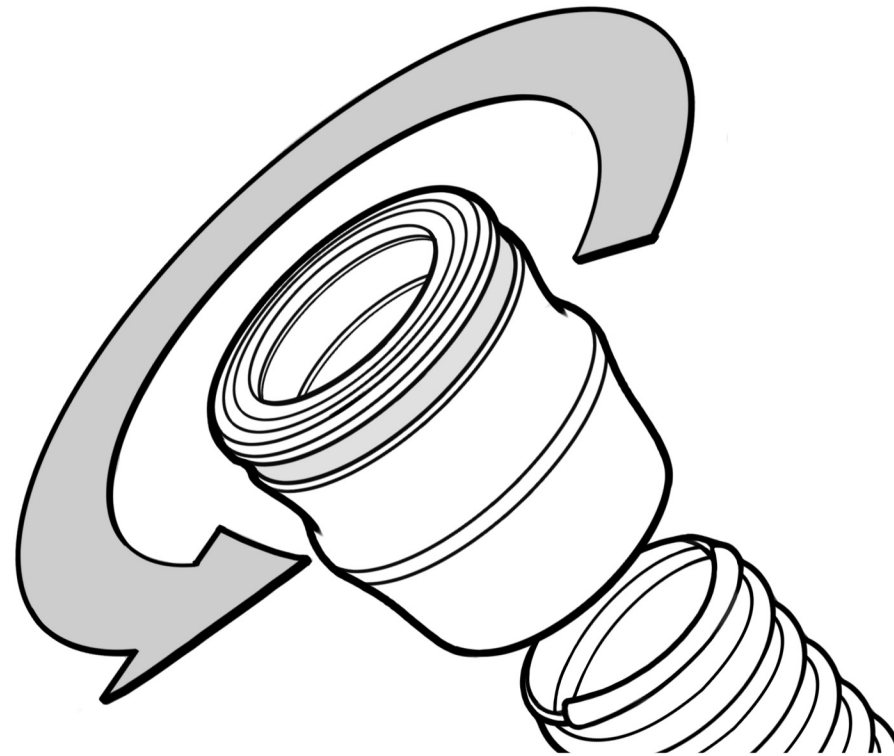


CONTENTS

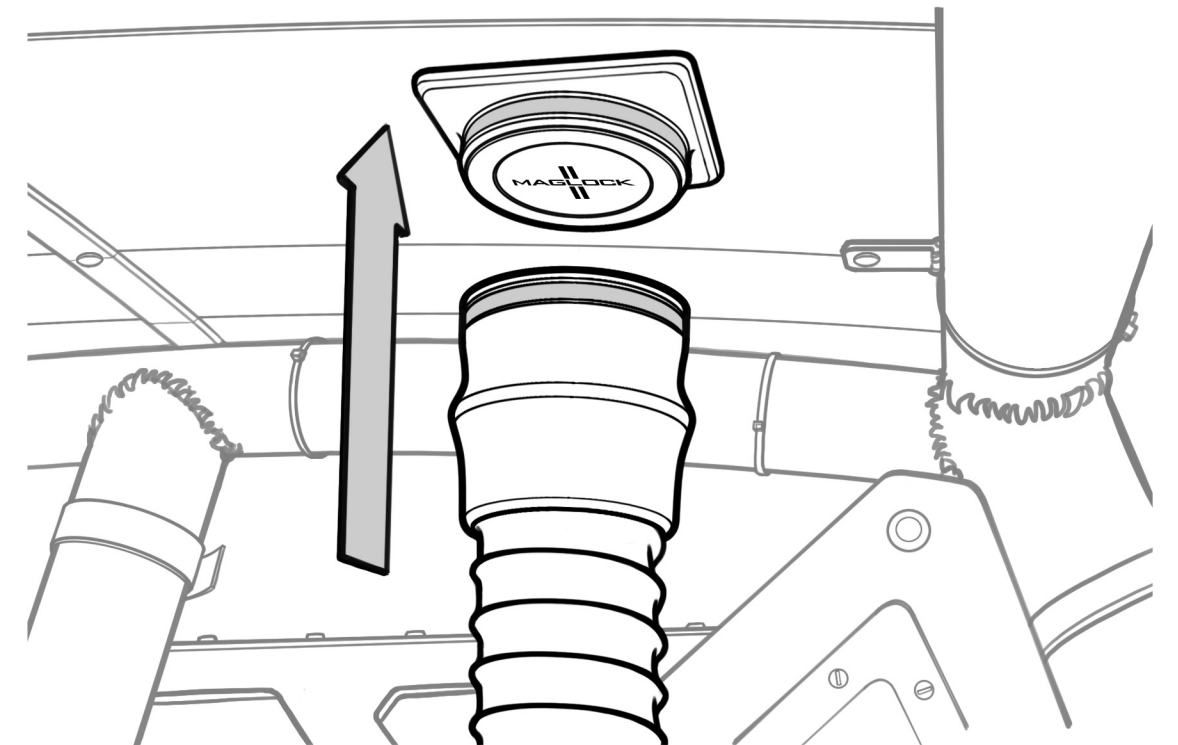


IN USE



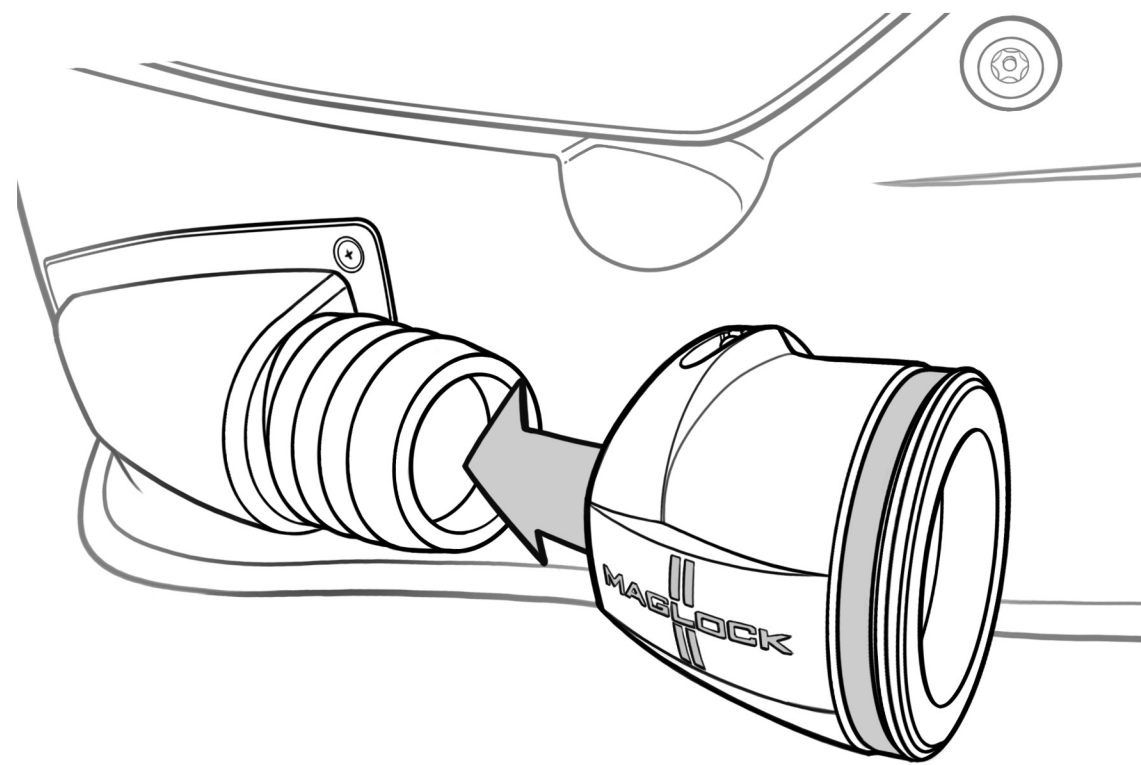
- 10 Once both MAGLOCK AIR sides are setup and you are sitting in your vehicle, reach for the DOCKED HoseSide MAGLOCK AIR, and draw it near the HelmetSide MAGLOCK AIR to connect, letting the magnets do the work for you to create an airtight seal.

IN USE



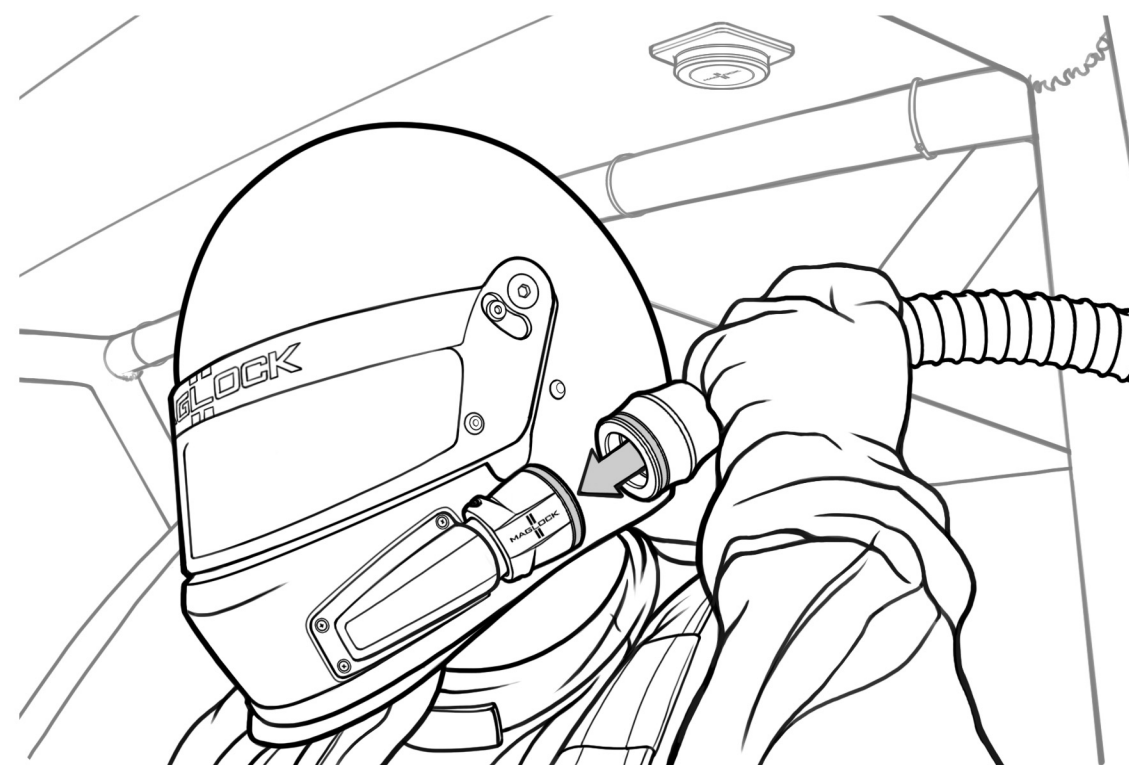
- 10 Once both MAGLOCK AIR sides are setup and you are sitting in your vehicle, reach for the DOCKED HoseSide MAGLOCK AIR, and draw it near the HelmetSide MAGLOCK AIR to connect, letting the magnets do the work for you to create an airtight seal.

IN USE



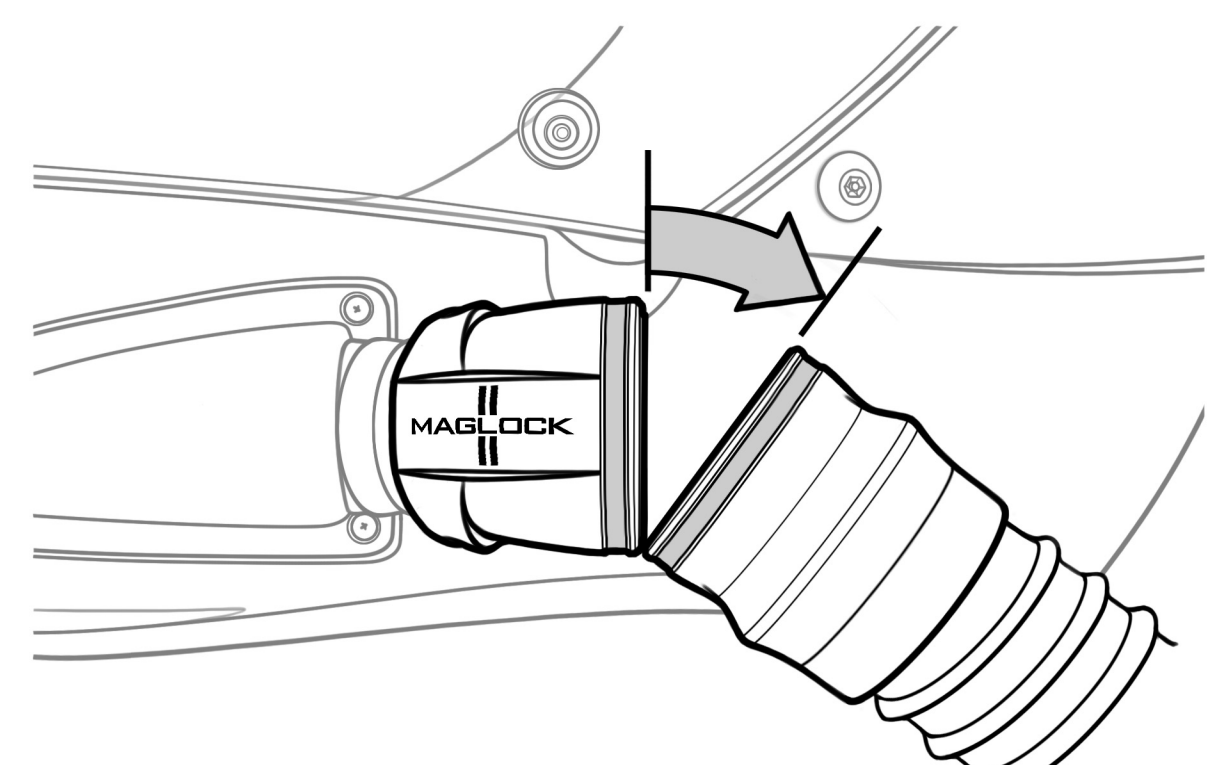
- 10 Once both MAGLOCK AIR sides are setup and you are sitting in your vehicle, reach for the DOCKED HoseSide MAGLOCK AIR, and draw it near the HelmetSide MAGLOCK AIR to connect, letting the magnets do the work for you to create an airtight seal.

IN USE



- 10 Once both MAGLOCK AIR sides are setup and you are sitting in your vehicle, reach for the DOCKED HoseSide MAGLOCK AIR, and draw it near the HelmetSide MAGLOCK AIR to connect, letting the magnets do the work for you to create an airtight seal.

IN USE



- 10 Once both MAGLOCK AIR sides are setup and you are sitting in your vehicle, reach for the DOCKED HoseSide MAGLOCK AIR, and draw it near the HelmetSide MAGLOCK AIR to connect, letting the magnets do the work for you to create an airtight seal.