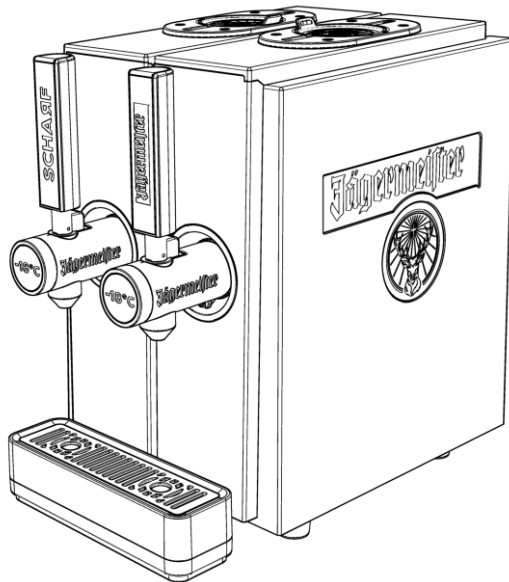


Jägermeister



Dual Tap Machine



Instructions for use

English translation of the original German manual

Status: 11/2023



Foreword

This manual will help you to use the Dual Tap Machine safely. The Dual Tap Machine will simply be referred to as “device” in the following.

The Jägermeister bottle will simply be referred to as “bottle” in the following.

Keep this manual handy

This manual is an integral part of the device.

- ▶ Please read this manual carefully before using the machine for the first time.
- ▶ Always observe the instructions and specifications in this manual.
- ▶ Keep the manual for the service life of the device.
- ▶ Keep the manual available for reference.
- ▶ If the manual is lost or becomes illegible, it is available for download at: <https://www.jagermeister.com/en/dual-tap-machine>
- ▶ Supply the manual with the device if you sell it or pass it on.

Copyright

This manual contains information that is subject to copyright. This manual may not be copied, printed, filmed, processed, duplicated or distributed in any form, either in whole or in part, without the prior written permission of Mast-Jägermeister SE.

©11/2023 Mast-Jägermeister SE

All rights reserved.



Manufacturer's address

Mast-Jägermeister SE

Jägermeisterstraße 7–15

38296 Wolfenbüttel

Germany

Internet: www.jaegermeister.de



Table of contents

Safety	6
Intended use.....	6
Basic safety instructions	6
Avoid material damage and malfunctions	9
Design features of the warnings	10
Design features of the notices regarding property damage	10
Description	11
Scope of delivery	11
Device	12
Task and function	13
Rating label.....	13
Unpacking and checking the scope of delivery	14
Storing and transporting the device	15
Setting up and installing the device	16
Device start-up	17
Connecting and disconnecting the mains cable	18
Replacing the tap handle display	19
Mounting and removing bottle stoppers	20
Inserting and removing a bottle	21
Switching the device on and off.....	22
Tapping Jägermeister	23
Cleaning device.....	24
Troubleshooting.....	26
Replacing a defective fuse.....	28



Taking the device out of operation	29
Disposing of the device	30
EU Declaration of Conformity.....	31
Warranty terms.....	32
Technical data	33
Cleaning record.....	34



Safety

Intended use

The device is intended exclusively to refrigerate and dispense 35% vol. Jägermeister. It is intended for use indoors, such as:

- Bars and Clubs
- Staff kitchens in stores, offices and other work environments
- Hotels, motels and other residential areas
- Bed-and-breakfast settings
- Catering and other similar non-retail applications

Intended use includes reading, understanding and following the instructions in this manual.

Any other use is not deemed as intended use.

Basic safety instructions

Preventing electric shock

- Do not use the device outdoors.
- Only connect the device to a properly installed socket outlet with protective contacts whose mains voltage corresponds to the information on the nameplate.
- Connect the device to an easily accessible socket so that you can quickly disconnect it from the mains in the event of a fault.
- Only use the device when the device itself, the mains plug and the cable are in good working order.
- If the supply cord is damaged, it must be replaced by the manufacturer, its service agent or similarly qualified persons in order to avoid a hazard.
- Only touch the mains plug or cable if your hands are dry.
- Do not bend the mains cable or lay it over sharp edges.
- Do not clamp or damage the mains cable.
- Never use the mains cable to carry the machine.
- Lay the cable ensuring it never presents a trip hazard.



- Before carrying out any work on the device, make sure that the mains plug has been unplugged from the socket. To do this, only pull out by the mains plug.
- If you are not intending to use the device for a longer period of time, unplug the mains plug from the socket.
- Do not use the device with an external timer or a separate remote control system.
- Do not place portable multiple sockets or power supply units of other devices at the rear of the machine.
- Keep the device away from naked flames and hot surfaces.
- Only ever disassemble the device to the extent described in this manual.
- Never open the device's housing.
- If in need of repair, contact the local sales partner directly.
- Only use original parts for repairs.
- Ensure that no objects are inserted into the device (e.g. into the bottle wells).
- Avoid spilling liquid on the device connector or the cable to prevent liquid from coming into contact with the electrical parts.
- If liquid does accidentally get on electrical parts pull out the mains plug immediately.
- Do not clean the device with a water jet.
- Do not use a steam cleaner for cleaning.



Fire prevention

- Only use the device in a dry, dust-free environment.
- When setting up the device, observe the minimum distances specified in this manual.
- Do not place the device underneath wall cupboards or equivalent.
- Protect the device from direct sunlight.

The device's refrigeration agent contains isobutane (R600a). Incorrect transport and installation may damage the cooling circuit. In this case, proceed as follows:

- Ventilate the room in which the device is located.
- Protect the device from naked flames or hot surfaces.
- Do not store explosive substances (e.g. spray cans with flammable propellants) in the device.

Prevent danger of suffocation

Small parts are included in the delivery. Children may swallow the small parts while playing and choke on them.

- Make sure that small parts are kept out of the reach of children.

There is a risk of suffocation when playing with packaging film.

- Keep the packaging material away from children.

Eliminate hazards for children and persons with limited abilities

The following persons must not use the device, otherwise injuries may occur:

- Persons with limited physical, sensory or mental abilities
- Persons lacking experience and/or knowledge
- Persons under 18 years of age

Prevent environmental damage

- Dispose of the device and its components in accordance with the regulations applicable at the place of use.





Avoid material damage and malfunctions

- ▶ Place the device on an easily accessible, level, dry, heat-resistant and sufficiently stable surface.
- ▶ Do not place the device at the edge of the surface.
- ▶ Do not remove the feet.
- ▶ Do not drop the device.
- ▶ Do not subject the device to impact loads.
- ▶ Do not use any bottles other than the Jägermeister 35% vol. bottles specified in this manual.
- ▶ Clean the device at least once or twice a month as described in this manual (see p. 24).
- ▶ Have the cleaning record signed by the operator or the person cleaning the machine.
- ▶ After cleaning, make sure that there is no residual water in the device. To do this, tilt the unit slightly at the end to remove the remaining liquid.
- ▶ Do not cover the ventilation opening in the device.
- ▶ Only use warm water to speed up the defrosting process.
- ▶ Always switch off the device when it is not in use to save power and protect the electrical components.



Design features of the warnings

 WARNING	
	Notices with the word WARNING warn of a dangerous situation that can possibly lead to death or serious injury.

Design features of the notices regarding property damage

<i>ATTENTION!</i>	
	These notices warn of a situation that will result in property damage and limited functionality.

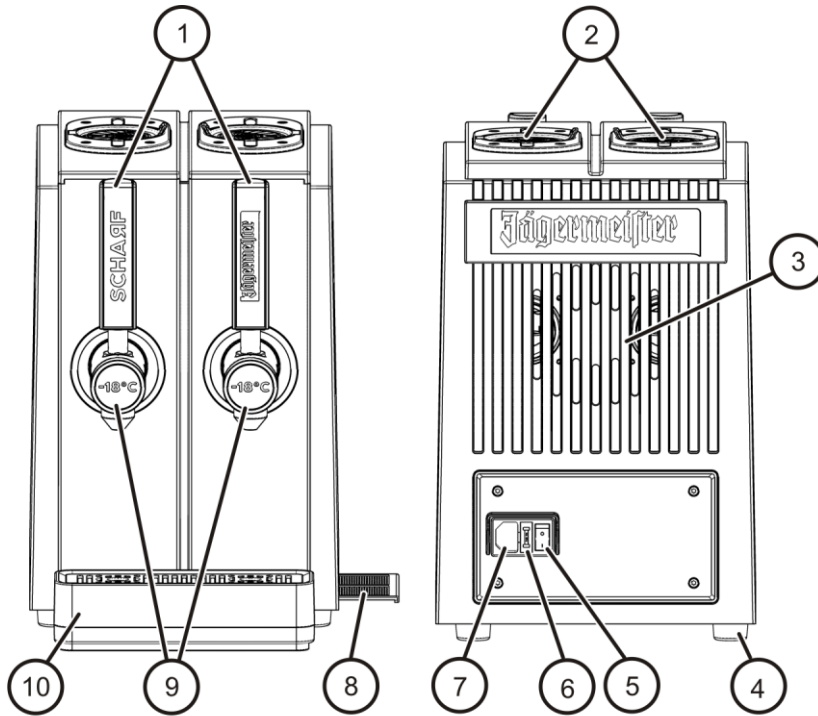


Description

Scope of delivery

- Device
- Two bottle stoppers
- Drip tray
- Tap handle display kit (mini screwdriver, two display plates)
- Mains cable

Device



① Tap handles with displays

② Bottle wells

③ Ventilation opening

④ Foot

⑤ Main switch

⑥ Fuse holder

⑦ Connection socket

⑧ Air filter (pulled out)

⑨ Taps with display

⑩ Drip tray



Task and function

The device is used to cool and dispense 35% vol. Jägermeister.

The device has two separate cooling tanks each with a tap. The cooling tanks can be filled with 35% vol. Jägermeister via the bottle wells. The device can be switched on and off using the main switch.

The tap handles have displays. If necessary, these can be replaced with the display plates supplied (see p.19).

Rating label

The rating label is attached to the back of the device. The rating label displays information on the following points:

- Model
- Power supply
- Refrigerant
- Protection class (electric shock)
- Climate class



Unpacking and checking the scope of delivery

ATTENTION!

Device may be damaged during unpacking.

- ▶ Do not use sharp or pointed objects (e.g. knives) when opening the packaging.

- ▶ Open the packaging carefully.
- ▶ Remove the foam inserts.
- ▶ Remove the parts of the device from the original packaging.
- ▶ Remove the packaging material and all protective films.
- ▶ Check that all parts of the device have been supplied; see p. 11.
- ▶ Check that the parts are in perfect condition.
- ▶ Contact your sales partner if there are any missing or damaged parts.



Storing and transporting the device

- ▶ Store the device and its components in a dry, dust-free place.
- ▶ Transport the device upright in its original packaging.



Setting up and installing the device

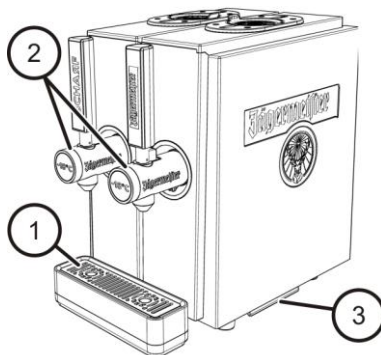
WARNING




Fire may occur due to overheated components.

- ▶ When setting up the device, observe the minimum distances specified in this manual.
- ▶ Protect the device from naked flames or hot surfaces.
- ▶ Protect the device from direct sunlight.
- ▶ Set up the device ensuring that the mains plug is accessible.

- ▶ Place the device on a sufficiently stable surface. Make sure that there is a gap of at least 8 cm from the back wall and at least 3 cm at the sides.
- ▶ Make sure that the taps (2) are properly and firmly mounted.
- ▶ Slide the drip tray (1) between the guide rails onto the front of the device.
- ▶ Make sure that the air filter is correctly inserted on the side of the device (3).



-  After moving the device, leave it upright for 24 hours before switching it on again. If you have moved the device, wait 30 minutes before switching it on.



Device start-up

- ▶ Clean the device thoroughly before using for the first time (see p. 24).
- ▶ Connect the device to the power supply (see p. 18).
- ▶ Insert the bottles in the bottle wells (see p. 21).
- ▶ Switch on the device (see p. 22).



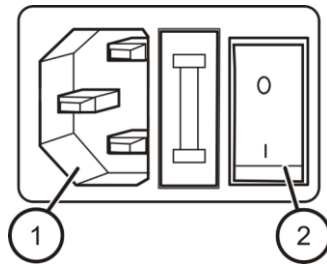
Connecting and disconnecting the mains cable

ATTENTION!

The device may be irreparably damaged.

- ▶ Fill the device with Jägermeister before connecting it to the power supply.
- ▶ Ensure that there is no residual water in the tank. To remove any residual water from the lines, tap at least 2 cl of Jägermeister.

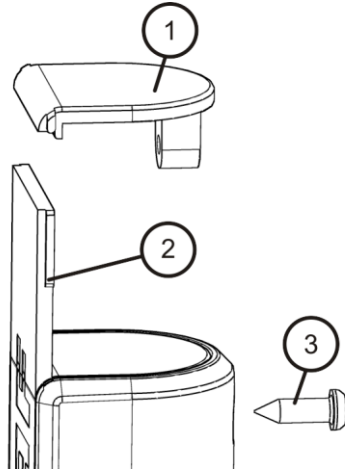
- ▶ Plug the mains cable included in the scope of delivery into the connection socket (1) of the device.
- ▶ Make sure that the main switch (2) is in position "0".
- ▶ Insert the mains plug into a properly installed socket.
- ▶ To remove, pull the mains cable by the mains plug.





Replacing the tap handle display

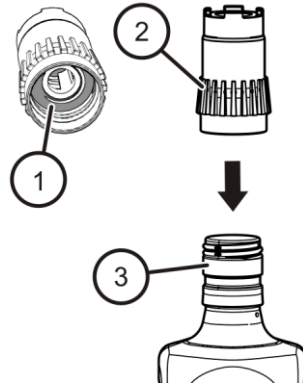
- ▶ Undo the screw (3) on the back of the tap handle using the mini screwdriver.
- ▶ Remove the cover (1).
- ▶ Slide the display plate (2) upwards and remove it.
- ▶ Remove the protective film from the display plate when using it for the first time.
- ▶ Attach the display plate to the tap handle and slide it down.
- ▶ Attach the cover (1) to the tap handle and fix it with the screw (3).





Mounting and removing bottle stoppers

- ▶ Clean the bottle stopper first before using it for the first time or reusing it (see p. 24).
- ▶ Make sure the seal (1) is properly seated in the thread.
- ▶ Remove the cap from the bottle.
- ▶ Place the bottle stopper (2) on the bottle (3). Turn the bottle stopper clockwise with moderate force.
- ▶ To remove the bottle stopper (2) from the bottle, turn it anti-clockwise until it comes off.



Inserting and removing a bottle

ATTENTION!

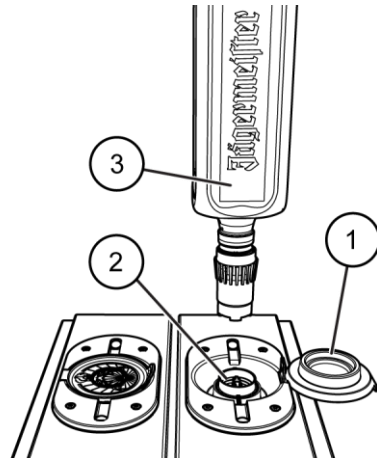
The bottle stopper and the bottle well may be damaged if the bottle is tilted.

- ▶ Insert and remove the bottle vertically in the bottle well.

- ▶ Open the lid (1) of the bottle well.
- ▶ Insert the bottle (3) with mounted bottle stopper vertically into the bottle well (2).
- ▶ Carefully press the bottle (3) into the bottle well (2).

The bottle's (3) own weight holds it securely in position.

- ▶ If the bottle (3) is slightly twisted, align it with the front of the device by turning it one eighth of a turn.



- ▶ To remove it, pull the bottle vertically upwards until it is released from the bottle well.
- ▶ Close the lid.
- ▶ Remove the bottle stopper (see p. 20).
- ▶ Clean the bottle stopper (see p. 24) and store for reuse.
- ▶ Dispose of the bottle in line with environmental regulations.



Switching the device on and off

ATTENTION!

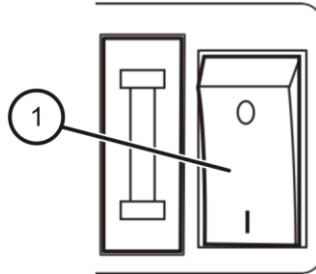
The device may be irreparably damaged.

- ▶ Fill the device with Jägermeister before connecting it to the power supply.
- ▶ Ensure that there is no residual water in the tank. To remove any residual water from the lines, tap at least 2 cl of Jägermeister.

- ▶ To switch it on move the main switch (1) to position “1”.

When the device is switched on, the LEDs on the tap and the sides start to light up. The refrigeration process begins.

- ▶ To switch it off move the main switch (1) to position “0”.

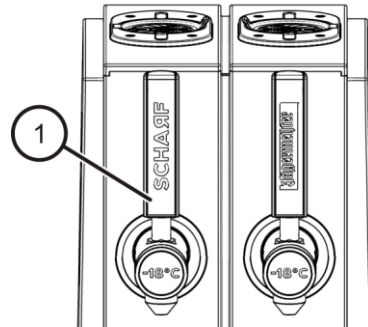


i The refrigeration temperature is set to the default setting of $-21\text{ }^{\circ}\text{C}$. Cooling time is 40 to 60 minutes and may be longer at higher ambient temperatures.

i To achieve optimum cooling performance, the device must be switched on constantly during operation. Switch off the device if it is not used for a longer period of time

Tapping Jägermeister

- ▶ Press the tap handle (1).
The device starts dispensing Jägermeister.
- ▶ Release the tap handle (1).
The tapping process stops.



- ❗ During tapping and a few seconds after tapping, bubbles form in the bottle. That is normal. If this process lasts longer, see p. 26.

Jägermeister shots

The following factors can affect the temperature of the Jägermeister shot in the glass:


- Temperature of the glass: If possible, use glasses that have been pre-cooled in the freezer.
- Time from dispensing the Jägermeister to serving: Ambient temperatures increase the temperature of the Jägermeister in the glass very quickly.
- Number of Jägermeister shots dispensed: If you refill the device during the dispensing process, the liquid must first be cooled down to the desired temperature.
- The first Jägermeister shot tends to be warmer: Warmer liquid in the lines mixes with cold liquid from the tank.

- ❗ The usual temperature range of dispensed Jägermeister shots is between -12°C and -18°C .




Cleaning device

WARNING

	<p>Electric shock may occur when working on the device.</p> <ul style="list-style-type: none">▶ Before working on the device, remove the mains plug from the socket. To do this, pull out by the mains plug.
---	--

WARNING

	<p>Short circuiting may occur due to ingress of water or other liquids.</p> <ul style="list-style-type: none">▶ Do not clean the device with a water jet.▶ Do not use a steam cleaner for cleaning.▶ Make sure that no water or other liquids get into the housing of the device.
---	---

ATTENTION!

	<p>Damage to the device may occur due to incorrect cleaning.</p> <ul style="list-style-type: none">▶ Turn the main switch to position "0".▶ Use only warm water and soft cloths.
--	---

ATTENTION!

	<p>Damage may occur to the device by residual water freezing inside it.</p> <ul style="list-style-type: none">▶ Make sure that there is no residual water left in the cooling tanks or in the pipes.
--	--



Weekly cleaning

- ▶ Turn the main switch to position “0”.
- ▶ Pull the mains plug out of the socket.
- ▶ Clean the tap outlet with a mild, warm soapy water solution.
- ▶ Remove the bottles (see p. 20).
- ▶ Clean the bottle stoppers with a mild, warm soapy water solution. Make sure that the cleaning water runs through the bottle stoppers.
- ▶ Remove the drip tray from the device.
- ▶ Clean the drip tray with a mild, warm soapy water solution.
- ▶ Remove the air filter from the device.
- ▶ Rinse the air filter with a mild, warm soapy water solution.
- ▶ Do not reuse the air filter until it is completely dry.
- ▶ Wipe the housing with a damp cloth and a little washing-up liquid if necessary.
- ▶ Dry the housing and all parts with a soft cloth.
- ▶ Attach the drip tray and the air filter to the device (see p. 16).

Monthly cleaning

- ▶ Turn the main switch to position “0”.
- ▶ Remove the mains plug from the socket.
- ▶ Clean the device and its parts first (see p. 24).
- ▶ Open the tap and empty the device.
- ▶ Close the tap.
- ▶ Fill the device with warm water through the bottle well.
- ▶ Rinse the device with the water.
- ▶ To drain the water, tilt the device forward until it is completely empty.
- ▶ Insert the bottles (see p. 21).
- ▶ Before switching on, tap off at least 10 cl of Jägermeister to remove any residual water in the lines.



Troubleshooting

Problem	Possible cause	Action
Jägermeister is dripping from the bottlewell.	The sealing rings are not properly positioned.	▶ Check the fit of the sealing rings, if necessary, put them in place.
	The bottle stoppers are defective.	▶ Replace the bottle stoppers.
	The sealing rings are defective.	▶ Replace the sealing rings.
The device consumes a lot of energy and the cooling capacity is not optimal.	The air circulation at the back and bottom of the device affects the energy and the cooling performance.	▶ Ensure that there is sufficient clearance (8 cm at the rear, 3 cm at the sides). See also p. 16
After tapping, the bubbling fails to stop after a few seconds.	The device may be defective.	▶ In this case, contact the dealer or local sales partner.
The bottle is dripping.	The bottle stoppers are not screwed on properly.	▶ Make sure that the bottle stopper is correctly seated and screw it on properly if necessary.
The device is not cooling and the LEDs are not lit.	The fuse may have blown.	▶ Replace the fuse (see p. 28).



Problem	Possible cause	Action
Insufficient cooling performance, although the device seems to be functional.	The temperature has not been measured correctly.	<ul style="list-style-type: none">▶ The pre-cooling time (see p.; 22) should be observed. The compressor and the fan switching off indicates that the target temperature of the Jägermeister in the tank has been reached.▶ Use an electric thermometer with digital display.▶ Do not take a reading from the first shot of 2cl.▶ Draw at least 4cl and at the same time measure the temperature the tap outlet in the middle of the stream.▶ Do not take a reading in the glass, since the temperature increases too quickly here.
The device gradually gets warmer.	The air filter is dirty.	<ul style="list-style-type: none">▶ Clean the air filter (see p. 24).▶ When cleaning with water, dry the air filter completely before using the device again.

- ▶ If the problem cannot be solved this way, please contact your dealer or local sales partner. You will find the contact details on the delivery note or on the invoice.



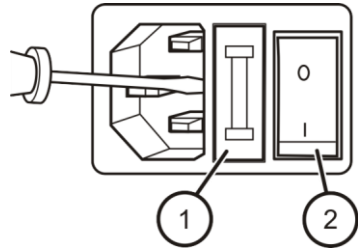
Replacing a defective fuse

⚠ WARNING

⚠ Electric shock may occur when working on the device.

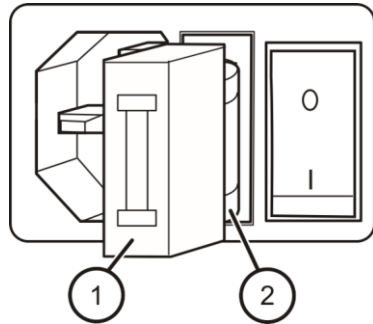
- ▶ Before working on the device, remove the mains plug from the socket. To do this, pull out by the mains plug.

- ▶ Turn the main switch (2) to position "0".
- ▶ Pull the mains plug out of the socket.
- ▶ Open the fuse holder (1) with the screwdriver provided.



The fuse holder (1) opens.

- ▶ Remove the blown fuse (2).
- ▶ Insert the replacement fuse into the fuse holder (1).
- ▶ Carefully push the fuse holder (1) back into the housing until it clicks into place.





Taking the device out of operation

- ▶ If the device will not be used for an extended period of time, switch it off at the main switch.
- ▶ Pull the mains plug out of the socket.
- ▶ Remove the bottles.
- ▶ Clean the device parts (see p. 24).
- ▶ Close the lids of the bottle wells.



Disposing of the device

The packaging material is recyclable.

- ▶ Dispose of the packaging material according to environmental regulations at the end of its service life.



Electrical and electronic devices marked with this symbol must not be disposed of with household waste. They may contain hazardous and environmentally dangerous substances.

- ▶ Dispose of the device in accordance with the regulations applicable to your country or location.
- ▶ For further questions or information about the disposal of your device, contact your local authorities or your sales partner.



EU Declaration of Conformity

The EU Declaration of Conformity can be requested at:
<https://www.jagermeister.com/en/dual-tap-machine>



Warranty terms

In accordance with the legislation of the country in which the customer's place of residence is located, the manufacturer provides a warranty for at least one year (in Germany: 2 years) from the date the device is sold to the end user.

The warranty covers defects in materials and workmanship.

Warranty repairs may only be carried out by an authorised service centre. If a claim is made under the warranty, the original proof of purchase (with date of purchase) must be submitted.

The warranty does not apply in the following cases:

- Normal wear and tear
- Improper use, e.g. overloading the device, use of unauthorised accessories
- Use of force and damage caused by external factors
- Damage caused by failure to observe these instructions for use
- Partially or completely dismantled devices.



Technical data

Device	
Model	DTM-EU
Dimensions (W x D x H)	26.4 x 42.1 x 40.3 cm
Net/gross weight	15.6/17.6 kg
Voltage supply	220–240 V/AC, 50 Hz, 150 W
Mains cable	3G, 0.75 mm ² , 250 V, 10A, 1.8 m
Compressor	310 V, 83-136 Hz, 140 W
Refrigerant, fill quantity	R600a, 20g
Climate class	ST (subtropical: suitable for use at ambient temperatures from +16° C to +38° C)
Factory temperature setting in the tank	–21°C *
Useful capacity, 2 cooling tanks	500 ml per tank
Safety class	IP52
Noise level	50 dB
Permissible bottle sizes	200 ml, 375 ml, 500 ml, 700 ml, 750 ml, 1,000 ml, 1,140 ml

* High ambient temperatures can affect the cooling time and power consumption. For more information on achieving a perfect, ice-cold Jägermeister shot, see p. 23.



Cleaning record

Weekly cleaning		Monthly cleaning	
Cleaning day	Signature	Cleaning day	Signature

