

**EXHIBIT A**

**DALLAS-FORT WORTH INTERNATIONAL AIRPORT**

**CONSTRUCTION AND FIRE PREVENTION STANDARDS RESOLUTION**

**AND**

**AMENDMENTS TO THE CODES**

**December 2022**

---

**TABLE OF CONTENTS**

**PART ONE -- CONSTRUCTION AND FIRE PREVENTION STANDARDS**

**RESOLUTION** **1**

---

SECTION 1 TITLE ..... 1

SECTION 2 PURPOSE ..... 1

SECTION 3 CREATION OF BOARD OF APPEALS (BOA) ..... 2

SECTION 4 COMPOSITION OF BOA ..... 2

SECTION 5 EX-OFFICIO MEMBERS ..... 4

SECTION 6 MEETINGS: QUORUM ..... 4

SECTION 7 BYLAWS AND RECORDS ..... 4

SECTION 8 AUTHORITY AND POWER ..... 5

SECTION 9 RIGHT OF APPEAL ..... 5

SECTION 10 AGENDA AND RECORDS ..... 6

SECTION 11 HEARING ..... 6

SECTION 12 STAY OF PROCEEDINGS ..... 6

SECTION 13 2021 INTERNATIONAL BUILDING CODE ADOPTED ..... 6

SECTION 2021 INTERNATIONAL EXISTING BUILDING CODE ADOPTED ..... 6

SECTION 14 2021 INTERNATIONAL FIRE CODE ADOPTED ..... 7

SECTION 15 2020 NATIONAL ELECTRICAL CODE ADOPTED ..... 7

SECTION 16 2020 INTERNATIONAL MECHANICAL CODE ADOPTED ..... 7

SECTION 17 2021 INTERNATIONAL PLUMBING CODE ADOPTED ..... 7

SECTION 18 2021 INTERNATIONAL FUEL GAS CODE ADOPTED ..... 7

SECTION 19 2021 INTERNATIONAL ENERGY CONSERVATION CODE ADOPTED .. 8

SECTION 20 REQUIRED PERMITS ..... 8

SECTION 21 REQUIRED FEES ..... 8

SECTION 22 LICENSES REQUIRED ..... 8

SECTION 23 ENFORCEMENT ..... 9

SECTION 24 SPECIAL ENACTMENT ..... 9

SECTION 25 CONFLICTING PROVISIONS ..... 9

SECTION 26 SEVERABILITY CLAUSE ..... 9

SECTION 27 PENAL CLAUSE ..... 10

SECTION 28 SAVINGS CLAUSE ..... 10

SECTION 29 PUBLICATION ..... 10

SECTION 30 EFFECTIVE DATE ..... 10

**PART TWO – BUILDING CODE AMENDMENTS** **1**

---

SECTION 101 GENERAL ..... 1

SECTION 102 EXISTING STRUCTURES ..... 1

SECTION 103 DEPARTMENT OF BUILDING SAFETY ..... 1

SECTION 105 PERMITS ..... 2

**SECTION 106 FLOOR AND ROOF DESIGN LOADS** ..... **2**

SECTION 109 FEES.....	2
SECTION 111 CERTIFICATE OF OCCUPANCY .....	2
SECTION 113 BOARD OF APPEALS.....	2
SECTION 114 VIOLATIONS.....	3
SECTION 202 DEFINITIONS.....	3
SECTION 402 COVERED MALLS AND OPEN MALL BUILDING .....	3
SECTION 403 HIGH-RISE BUILDINGS.....	5
SECTION 412 AIRCRAFT RELATED OCCUPANCIES .....	6
SECTION 903 AUTOMATIC SPRINKLER SYSTEMS.....	6
SECTION 907 FIRE ALARM AND DETECTION SYSTEMS.....	7
SECTION 1003 GENERAL MEANS OF EGRESS .....	8
SECTION 1004 OCCUPANT LOAD.....	9
SECTION 1010 DOORS, GATES, AND TURNSTILES.....	9
SECTION 1023 INTERIOR EXIT STAIRWAYS AND RAMPS .....	9
SECTION 1025 LUMINOUS EGRESS PATH MARKINGS .....	10
CHAPTER 11 ACCESSIBILITY .....	10
SECTION 3002 HOISTWAY ENCLOSURES .....	10
CHAPTER 35 REFERENCED STANDARDS.....	10
ADOPTION OF APPENDIX CHAPTER H SIGNS .....	11

**PART THREE – FIRE CODE AMENDMENTS** **1**

---

SECTION 101 SCOPE AND GENERAL REQUIREMENTS .....	1
SECTION 102 APPLICABILITY .....	1
SECTION 103 DEPARTMENT OF FIRE PREVENTION .....	1
SECTION 105 PERMITS.....	1
SECTION 107 MAINTENANCE.....	2
SECTION 108 BOARD OF APPEALS.....	2
SECTION 109 VIOLATIONS .....	2
SECTION 202 DEFINITIONS.....	2
SECTION 307 OPEN BURNING, RECREATIONAL FIRES AND PORTABLE OUTDOOR FIREPLACES .....	3
SECTION 503 FIRE APPARATUS ACCESS ROADS .....	4
SECTION 507 FIRE PROTECTION WATER SUPPLIES.....	5
SECTION 903 AUTOMATIC SPRINKLER SYSTEMS.....	10
SECTION 907 FIRE ALARM AND DETECTION SYSTEMS .....	12
SECTION 1003 GENERAL MEANS OF EGRESS .....	13
SECTION 1004 OCCUPANT LOAD .....	13
SECTION 1023 INTERIOR EXIT STAIRWAYS AND RAMPS .....	14
SECTION 5005 USE, DISPENSING AND HANDLING .....	14
SECTION 5704 STORAGE .....	14
CHAPTER 80 REFERENCED STANDARDS .....	15
ADOPTION OF APPENDIX CHAPTERS.....	15

<b>PART FOUR – ELECTRICAL CODE AMENDMENTS</b>	<b>1</b>
<hr/>	
ARTICLE 89 TITLE.....	1
<b>PART FIVE - MECHANICAL CODE AMENDMENTS</b>	<b>1</b>
<hr/>	
SECTION 101 GENERAL .....	1
SECTION 103 DEPARTMENT OF MECHANICAL INSPECTION .....	1
SECTION 106 PERMITS.....	1
SECTION 108 VIOLATIONS .....	1
SECTION 109 MEANSOF APPEAL .....	1
<b>PART SIX - PLUMBING CODE AMENDMENTS</b>	<b>1</b>
<hr/>	
SECTION 101 GENERAL .....	1
SECTION 103 DEPARTMENT OF PLUMBING INSPECTION .....	1
SECTION 106 PERMITS.....	1
SECTION 108 VIOLATIONS .....	1
SECTION 109 MEANSOF APPEAL .....	1
SECTION 312 TESTS AND INSPECTIONS.....	2
TABLE 403.1 MINIMUM NUMBER OF REQUIRED PLUMBING FACILITIES .....	2
SECTION 404 ACCESSIBLE PLUMBING FACILITIES.....	2
SECTION 1106 SIZES OF CONDUCTORS, LEADERS AND STORM DRAINS .....	2
SECTION 1109 COMBINED SANITARY AND STORM SYSTEM.....	3
<b>PART SEVEN - FUEL GAS CODE AMENDMENTS</b>	<b>1</b>
<hr/>	
SECTION 101 GENERAL .....	1
SECTION 103 DEPARTMENT OF INSPECTION .....	1
SECTION 106 PERMITS.....	1
SECTION 108 VIOLATIONS .....	1
SECTION 109 MEANSOF APPEAL .....	2
<b>PART EIGHT - ENERGY CODE AMENDMENTS</b>	<b>1</b>
<hr/>	
SECTION C101 SCOPE AND GENERAL REQUIREMENTS.....	1
SECTION C110 VIOLATION PENALTIES.....	1
SECTION 202 GENERAL DEFINITIONS.....	1

**PART NINE – OIL AND GAS EXPLORATION AND PRODUCTION** **1**

---

**SECTION 1 GENERAL INFORMATION** ..... 1  
**SECTION 2 DEFINITIONS**.....1  
**SECTION 3 AIRPORT OVERSIGHT** ..... 4  
**SECTION 4 OPERATOR’S AGENT** .....5  
**SECTION 5 SEISMIC SURVEY PERMIT REQUIREMENTS**..... 5  
**SECTION 6 GAS WELL AND DISPOSAL WELL PERMIT REQUIREMENTS** ..... 6  
**SECTION 7 PERMIT APPLICATION** ..... 7  
**SECTION 8 PERMITTING PROCEDURE**..... 10  
**SECTION 9 AMENDED GAS WELL PERMITS**..... 10  
**SECTION 10 SUSPENSION OR REVOCATION OF WELL PERMITS** ..... 11  
**SECTION 11 PERIODIC REPORTS** ..... 12  
**SECTION 12 BOND, LETTERS OF CREDIT, INDEMNITY INSURANCE**..... 13  
**SECTION 13 SETBACK REQUIREMENTS**..... 16  
**SECTION 14 ON SITE AND TECHNICAL REGULATIONS**..... 17  
**(A)SECTION 15 SCREENING**..... 27  
**SECTION 16 CLEANUP AND MAINTENANCE** ..... 29  
**SECTION 17 PLUGGED AND ABANDONED WELLS**..... 30  
**SECTION 18 TECHNICAL ADVISOR** ..... 31  
**SECTION 19 MEANS OF APPEAL** ..... 31  
**SECTION 20 VARIANCE RESOLUTION COMMITTEE** ..... 31  
**SECTION 21 SEVERABILITY CLAUSE** ..... 33

**PART ONE -- CONSTRUCTION AND FIRE PREVENTION STANDARDS  
RESOLUTION**

A Board Resolution creating the Board of Appeals (BOA) of the Dallas-Fort Worth International Airport (the Airport); providing for the selection and term of office of members; providing for public hearings, meetings and procedures therefore; prescribing the authority and powers of the Board of Appeals; providing for appeal from decisions of the Building Official and Fire Chief; providing for a stay of proceedings upon appeal; providing for the adoption of the Building Code; providing for the adoption of the Fire Code; providing for the adoption of the Electrical Code; providing for the adoption of the Mechanical Code; providing for the adoption of the Plumbing Code; providing for the adoption of the Fuel Gas Code; providing for the adoption of the Energy Code; providing for the regulation of oil and gas exploration and production; making it unlawful to perform construction work or oil and gas exploration and production without a permit; making it unlawful to undertake the contracted installation of fire protection, mechanical, plumbing, irrigation or electrical equipment without a proper license to do such work; providing for the termination of the Board of Airport Building Code of Appeals; providing that this resolution shall be cumulative; providing a severability clause; providing a penal clause; providing a savings clause; providing for publication in pamphlet form; providing for publication in a newspaper; and providing an effective date.

**SECTION 1  
TITLE**

This resolution shall be known as the Dallas-Fort Worth International Airport Construction and Fire Prevention Standards Resolution and referred to herein as (this Resolution).

**SECTION 2  
PURPOSE**

It is the specific intent of the Dallas-Fort Worth International Airport Board (the Airport Board) that standards for construction and fire prevention be used for the health, safety and welfare of all persons at the Airport. The Airport Board finds that construction and fire prevention standards change from time to time and that these standards should stay current with modern practices of construction and fire safety. In carrying out these purposes, it is the intent of the Airport Board that such construction and fire prevention standards be adopted as outlined herein and that a Board of Appeals (BOA) be given limited authority over matters pertaining thereto. The scope of the BOA is as set forth below.

It is the intent of the Airport Board that compliance with the construction and fire prevention standards contained herein is the responsibility of those persons and businesses to which they apply; and that neither the BOA nor the Airport Board, its

members, agents and employees, shall be liable or responsible for any errors or omissions arising out of the enforcement or failure to enforce these standards.

### **SECTION 3 CREATION OF BOARD OF APPEALS (BOA)**

The Airport Board hereby establishes a Board of Appeals (BOA) for the purpose of determining the acceptability and adequacy of materials, equipment and methods of construction and for interpretation of these standards. The Airport Board shall adopt construction and fire prevention standards, which will be applicable throughout the Airport. The Construction and Fire Prevention Standards shall include but not be limited to the Building Code, Fire Code, Electrical Code, Mechanical Code, Plumbing Code, Fuel Gas Code and Energy Code and Part Nine of this Resolution for Oil and Gas Exploration and Production as adopted by the Airport Board and amended from time to time.

### **SECTION 4 COMPOSITION OF BOA**

The BOA shall consist of seven voting members who shall serve without compensation and shall be selected in the following manner:

Place 1: An architect, registered to practice as an architect in the State of Texas - The selection of the architect shall be made alternatively shall be confirmed by the Airport Board. The initial term will be filled by a selection of the Dallas Chapter and will extend from the Airport Board's confirmation of the selection through December 31, 1990. Thereafter, terms will be for two years extending from January 1 of odd-numbered years through December 31 of even-numbered years.

Place 2: An electrical engineer, registered to practice as a professional engineer in the State of Texas whose practice is or has been the design of electrical systems for buildings - The selection of the electrical engineer shall be made alternatively by the Dallas and Fort Worth Chapters of the Texas Society of Professional Engineers and shall be confirmed by the Airport Board. The initial term will be filled by a selection of the Fort Worth Chapter and will extend from the Airport Board's confirmation of the selection through December 31, 1990. Thereafter, terms will be for two years extending from January 1 of odd-numbered years through December 31 of even-numbered years.

Place 3: A mechanical engineer, registered to practice as a professional engineer in the State of Texas whose practice is or has been the design of mechanical systems for buildings - The selection of the mechanical engineer shall be made alternatively by the Dallas and Fort Worth

Chapters of the Texas Society of Professional Engineers and shall be confirmed by the Airport Board. The initial term will be filled by a selection of the Fort Worth Chapter and will extend from the Airport Board's confirmation of the selection through December 31, 1991. Thereafter, terms will be for two years extending from January 1 of even-numbered years through December 31 of odd-numbered years.

Place 4: A structural engineer, registered to practice as a professional engineer in the State of Texas whose practice is or has been the design of structural systems for buildings - The selection of the structural engineer shall be made alternatively by the Dallas and Fort Worth Chapters of the Texas Society of Professional Engineers and shall be confirmed by the Airport Board. The initial term will be filled by a selection of the Fort Worth Chapter and will extend from the Airport Board's confirmation of the selection through December 31, 1991. Thereafter, terms will be for two years extending from January 1 of even-numbered years through December 31 of odd-numbered years.

Place 5: A fire protection specialist - The selection of the fire protection specialist shall be made by the Dallas/Fort Worth Chapter of the Society of Fire Protection Engineers and shall be confirmed by the Airport Board. The initial term will extend from the Airport Board's confirmation of the selection through December 31, 1991. Thereafter, terms will be for two years extending from January 1 of even-numbered years through December 31 of odd-numbered years.

Place 6: A design professional, registered to practice as an architect or as a professional engineer in the State of Texas, and whose profession relates to the design of facilities, structures or systems that are constructed – The selection of the design professional for Place 6 shall be made by the Dallas Metroplex Alumni Extension Chapter of the National Society of Black Engineers and shall be confirmed by the Airport Board. The initial term shall extend from the Airport Board's confirmation of the selection through December 31, 2005. Thereafter, terms will be for two years extending from January 1 of even-numbered years through December 31 of odd-numbered years.

Place 7: A design professional registered to practice as an architect or as a professional engineer in the State of Texas, and whose profession relates to the design of facilities, structures or systems that are constructed – The selection of the design professional for Place 7 shall be made by the Dallas-Fort Worth Chapter of the Society of Hispanic Professional Engineers and shall be confirmed by the Airport Board. The initial term will extend from the Airport Board's confirmation of the selection through December 31, 2004.\* Thereafter, terms will be for two years extending



from January 1 of odd-numbered years through December 31 of even-numbered years.

There is no limit on the number of terms an individual may serve on the BOA; however, only in Places 5, 6 and 7 may an individual serve in consecutive terms. Any term scheduled to end on December 31, shall be automatically extended until a successor for that place is selected, confirmed, and sworn in.

In the event that any professional organization, designated to select a candidate to fill a term on the BOA, is unable to make such a selection, and the professional organization notifies the Building Official that a selection cannot be made, then the Building Official shall designate the unfilled seat as officially vacant, and it shall remain vacant until the next scheduled term for that seat.

## **SECTION 5 EX-OFFICIO MEMBERS**

The Building Official and the Fire Chief or their designated representatives shall be ex-officio non-voting members of the BOA. The BOA may make recommendations through the Building Official or Fire Chief to the Airport Board for amendments to the standards accordingly.

The Building Official of the Dallas/Fort Worth International Airport Board is the official in charge of the Code Compliance Section of the Design, Code & Construction Department.

The Director of the Department of Public Safety of the Dallas/Fort Worth International Airport Board or his designee is hereby designated as the Fire Chief.

## **SECTION 6 MEETINGS: QUORUM**

All meetings of the BOA shall be open to the public except as permitted by law and as is in the interest of the Airport. Three (3) members of the BOA shall constitute a quorum to transact business. Every matter before the BOA for vote shall require for final passage the affirmative vote of a majority of the members present and voting. The first meeting of the BOA following its appointment shall be at such time and place as called by the Building Official. Thereafter the BOA shall hold meetings at such time and place as called by the Chairman or one lawfully acting in that capacity.

## **SECTION 7 BYLAWS AND RECORDS**

At its first meeting the BOA shall elect one of its members as Chairman, and he shall keep a record of the proceedings and decisions, and a copy of same shall be filed in the office of the Building Official. Each year thereafter, following the Airport Board's

confirmation of the composition of the BOA, the BOA shall hold an organizational meeting, at which time it shall elect a Chairman before proceeding to other matters of business. The BOA shall establish its own rules of procedure and shall amend them from time to time as it deems necessary. The Building Official shall serve as Secretary to the BOA.

## **SECTION 8 AUTHORITY AND POWER**

The BOA shall have the authority and power to:

1. Hear appeals on interpretations by the Building Official of the Building Code, Electrical Code, Mechanical Code, Plumbing Code, Fuel Gas Code and Energy Code. The BOA may modify in whole or in part or may affirm the interpretation of the Building Official. The Building Official shall render a written interpretation within thirty (30) days of a request by a person who has been aggrieved by a decision of the Building Official. No interpretations shall be heard by the BOA until the Building Official has rendered a written interpretation.

2. Hear appeals on interpretations by the Fire Chief of the Fire Code. The BOA may modify in whole or in part or may affirm the interpretation of the Fire Chief. The Fire Chief shall render a written interpretation within thirty (30) days of a request by a person who has been aggrieved by a decision of the Fire Chief. No interpretations shall be heard by the BOA until the Fire Chief has rendered a written interpretation.

3. Approve alternate methods of construction and fire prevention where it is impractical to meet the adopted construction and fire prevention standards, provided that the BOA finds the same degree of suitability, strength, effectiveness, fire resistance, durability, sanitation and safety exists in the alternate method as intended by the standards.

4. Approve new methods of construction and fire prevention not covered by the construction and fire prevention standards, provided that the BOA finds the same degree of suitability, strength, effectiveness, fire resistance, durability, sanitation and safety exists in the new method as intended by the standards.

The BOA shall have no power to otherwise limit, modify or change these construction and fire prevention standards.

## **SECTION 9 RIGHT OF APPEAL**

Any person, firm, company or corporation aggrieved by any decision or order of the Building Official or Fire Chief may appeal such decision or order to the BOA. Every appeal must be in writing and must be filed in triplicate with the Building Official within thirty (30) days from the date of the decision or order appealed from. The BOA shall

not consider any appeal that is filed after the thirty (30) day period. Such appeal shall contain appropriate reference to the decision or order appealed from, as well as the grounds for the appeal.

## **SECTION 10 AGENDA AND RECORDS**

The agenda for the BOA shall be prepared by the Building Official and shall be posted as required by law. All records and evidence pertinent to any appeal shall be transmitted to the BOA and to the aggrieved party prior to the hearing. Records of all appeals shall be kept in the office of the Building Official. The Building Official shall transmit copies of appeal records to the Fire Chief.

## **SECTION 11 HEARING**

The BOA shall fix a reasonable time for the hearing of an appeal and shall give notice of the hearing in writing to the parties in interest. Parties may appear before the BOA in person, by agent or by attorney. The BOA shall establish rules for the fair and efficient conduct of the hearing and the just resolution to an appeal. The BOA shall notify the appellant of its decision.

## **SECTION 12 STAY OF PROCEEDINGS**

An appeal shall stay all proceedings in connection with the decision or order appealed from, unless and until the Building Official or Fire Chief shall have certified to the BOA after notice of appeal has been filed that a stay would cause an unreasonable risk of harm to life or damage to property. Any work done contrary to the order of the Building Official or Fire Chief after filing an appeal hereunder, pending the determination of such appeal, shall be subject to removal or repair should the order be affirmed. The cost of removal or repair of the work done shall be borne solely by the person, firm, company or corporation who was responsible for the work without consideration of mitigating or extenuating circumstances.

## **SECTION 13 2021 INTERNATIONAL BUILDING CODE ADOPTED**

The Building Code of the Dallas-Fort Worth International Airport Board is hereby revised and amended to conform to the 2021 International Building Code of the International Code Council, Inc. except as amended by separate exhibit attached hereto and is hereby adopted as the Building Code and forms a part of the Construction and Fire Prevention Standards from the effective date hereof.

**SECTION  
2021 INTERNATIONAL EXISTING BUILDING CODE ADOPTED**

The Existing Building of the Dallas-Fort Worth International Airport Board is hereby revised and amended to conform to the 2021 International Existing Building Code of the International Code Council, Inc. except as amended by separate exhibit attached hereto and is hereby adopted as the Existing Building Code and forms a part of the Construction and Fire Prevention Standards from the effective date hereof

**SECTION 14  
2021 INTERNATIONAL FIRE CODE ADOPTED**

The Fire Code of the Dallas-Fort Worth International Airport Board is hereby revised and amended to conform to the 2021 International Fire Code, except as further amended by separate exhibit attached hereto and is hereby adopted as the Fire Code and forms a part of the Construction and Fire Prevention Standards from the effective date hereof.

**SECTION 15  
2020 NATIONAL ELECTRICAL CODE ADOPTED**

The Electrical Code of the Dallas-Fort Worth International Airport Board is hereby revised and amended to conform to the 2020 National Electrical Code (NFAP 70) of the National Fire Protection Association except as amended by separate exhibit attached hereto and together are hereby adopted as the Electrical Code and form a part of the Construction and Fire Prevention Standards from the effective date hereof.

**SECTION 16  
2021 INTERNATIONAL MECHANICAL CODE ADOPTED**

The Mechanical Code of the Dallas-Fort Worth International Airport Board is hereby revised and amended to conform to the 2021 International Mechanical Code of the International Code Council, Inc. except as amended by separate exhibit attached hereto and is hereby adopted as the Mechanical Code and forms a part of the Construction and Fire Prevention Standards from the effective date hereof.

**SECTION 17  
2021 INTERNATIONAL PLUMBING CODE ADOPTED**

The Plumbing Code of the Dallas-Fort Worth International Airport Board is hereby revised and amended to conform to the 2021 International Plumbing Code of the International Code Council, Inc. except as amended by separate exhibit attached hereto and is hereby adopted as the Plumbing Code and forms a part of the Construction and Fire Prevention Standards from the effective date hereof.

**SECTION 18  
2021 INTERNATIONAL FUEL GAS CODE ADOPTED**

The Fuel Gas Code of the Dallas-Fort Worth International Airport Board is hereby revised and amended to conform to the 2021 International Fuel Gas Code of the International Code Council, Inc. except as amended by separate exhibit attached hereto and is hereby adopted as the Fuel Gas Code and forms a part of the Construction and Fire Prevention Standards from the effective date hereof.

## **SECTION 19 2021 INTERNATIONAL ENERGY CONSERVATION CODE ADOPTED**

The Energy Code of the Dallas-Fort Worth International Airport Board is hereby revised and amended to conform to the 2021 International Energy Conservation Code of the International Code Council, Inc. except as amended by separate exhibit attached hereto and is hereby adopted as the Energy Code and forms a part of the Construction and Fire Prevention Standards from the effective date hereof.

## **SECTION 20 REQUIRED PERMITS**

The following activities shall not be performed within the boundaries of the Dallas-Fort Worth International Airport unless a permit for such work has first been obtained from the building official.

1. Construction
2. Oil and Gas Exploration and Production
3. Erection or Alteration of Signs

## **SECTION 21 REQUIRED FEES**

All construction projects for which construction permits are required are subject to a construction permit fee and a plan review fee except where otherwise prohibited by law. All permit and plan review fees shall be in accordance with the Construction Permit Fee Schedule found in the DFW Schedule of Charges.

## **SECTION 22 LICENSES REQUIRED**

Contractors providing the following work within the boundaries of Dallas-Fort Worth International Airport shall be licensed respectively for the category of work performed as regulated by the following:

28 TEX. ADMIN. CODE, Part 1, Subchapter E, Fire Extinguisher Rules § 34.511, Fire Extinguisher Licenses

28 TEX. ADMIN. CODE, Part 1, Subchapter F, Fire Alarm Rules § 34.611, Licenses

28 TEX. ADMIN. CODE, Part 1, Subchapter G, Fire Sprinkler Rules § 34.710, Certificates of Registration

The Air Conditioning and Refrigeration Contractor License Law, Title 8, Occupations Code, Chapter 1302

The Plumbing License Law, Occupations Code, Chapter 1301

Irrigators, Occupations Code, Chapter 1903

Electricians, Title 8, Occupations Code, Chapter 1305

### **SECTION 23 ENFORCEMENT**

The Building Official and Fire Chief shall enforce and execute all decisions and orders of the BOA for which they are respectively responsible. Upon adoption by the Airport Board and the City Councils of the Cities of Dallas and Fort Worth, this resolution shall become effective and shall be enforceable in the municipal courts of a municipality within whose boundaries a violation occurs.

### **SECTION 24 SPECIAL ENACTMENT**

The provisions of this Resolution and the Codes which are a part hereof constitute a special enactment in effect only within the boundaries of the Dallas-Fort Worth International Airport and are adopted in recognition of the unique and special requirements connected with the planning, building, improvement, maintenance, operation, regulation, protection and policing of the Dallas-Fort Worth International Airport. Neither the Resolution nor the Codes shall be construed to waive or set aside any provisions contained in any law of the State of Texas.

### **SECTION 25 CONFLICTING PROVISIONS**

This resolution shall be cumulative of all provisions of previous actions of the Airport Board except where the provisions of this resolution are in direct conflict with the provisions of previous Board Actions, in which event conflicting provisions of such previous Board Actions are hereby repealed.

### **SECTION 26 SEVERABILITY CLAUSE**

It is hereby declared to be the intention of the Airport Board that the sections, paragraphs, sentences, clauses and phrases of this resolution are severable, and if any phrase, clause, sentence, paragraph or section of this resolution shall be declared unconstitutional by the valid judgment or decree of any court of competent jurisdiction such unconstitutionality shall not affect any of the remaining phrases, clauses, sentences, paragraphs and sections of this resolution, since the same would have been enacted by the Airport Board without the incorporation in this resolution of any such unconstitutional phrase, clause, sentence, paragraph or section.

**SECTION 27  
PENAL CLAUSE**

Section 8.F. of the 1968 Contract and Agreement, as amended, between the City of Dallas, Texas and the City of Fort Worth, Texas, provides that the Dallas-Fort Worth International Airport Board shall have the power, by a duly adopted order, to adopt and enforce rules and regulations for the orderly, safe efficient and sanitary operation of the airport and to prescribe penalties for the breach of any rule or regulation not to exceed the maximum fines authorized by state law. State law currently authorizes fines of up to \$500 for all violations of the airport's rules and regulations, except for those violations relating to fire safety, public health and sanitation, or the dumping of refuse, for which the maximum fine is \$2,000, and except when another fine is fixed by state law. Each day that a violation is permitted to exist shall constitute a separate offense.

**SECTION 28  
SAVINGS CLAUSE**

All rights and remedies of the Airport Board are expressly saved as to any and all violations of the provisions of the Building Code, the Fire Code or any other codes affecting construction or fire prevention which have accrued at the time of the effective date of this resolution and, as to such accrued violations and all pending litigation, both civil and criminal, whether pending in court or not, under such codes, same shall not be affected by this resolution but may be prosecuted until final disposition by the courts.

**SECTION 29  
PUBLICATION**

The Building Official is hereby authorized to publish this resolution in pamphlet form for general distribution among the public, and the operative provisions of this resolution as so published shall be admissible in evidence in all courts without further proof than the production thereof. The Building Official is hereby directed to publish a caption of this Resolution which summarizes the purposes thereof for two (2) days in major newspapers of the Cities of Dallas and Fort Worth Texas, as authorized by V.T.C.A., Local Government Code '52.013.

**SECTION 30  
EFFECTIVE DATE**

This resolution shall be in full force and effect from and after its passage and publication as required by law and it is so ordained.

**PART TWO – BUILDING CODE AMENDMENTS**

**SECTION 101  
GENERAL**

**101.1 Title.** The 2021 International Building Code as amended herein is the Building

Code of Dallas-Fort Worth International Airport. References to the International Building Code shall be construed to reference the Building Code as adopted herein with its local amendments.

Amend Section 101.4 to read as follows:

**101.4 Referenced codes.** The other codes listed in Sections 101.4.1 through 101.4.7 (except 101.4.4 and 101.4.7) and referenced elsewhere in this code, when specifically adopted, shall be considered part of the requirements of this code to the prescribed extent of each such reference.

**101.4 Referenced codes.**

The other codes specified in Sections 101.4.1 through 101.4.7 and referenced elsewhere in this code shall be considered to be part of the requirements of this code to the prescribed extent of each such reference.

**101.4.4 Property maintenance.**

The provisions of the *International Property Maintenance Code* shall apply to *existing structures* and premises; equipment and facilities; light, *ventilation*, space heating, sanitation, life and fire safety hazards; responsibilities of *owners*, operators and occupants; and occupancy of existing premises and structures.

**101.4.7 Existing buildings.**

The provisions of the *International Existing Building Code* shall apply to matters governing the *repair, alteration, change of occupancy, addition* to and relocation of *existing buildings*.

**SECTION 102  
EXISTING STRUCTURES**

Amend Section 102.6 to read as follows:

**102.6 Existing structures.** The legal occupancy of any structure existing on the date of adoption of this code shall be permitted to continue without change, except as specifically covered in this code or the Fire Code, or as is deemed necessary by the building official for the general safety and welfare of the occupants and the public.

**SECTION 103  
DEPARTMENT OF BUILDING SAFETY**

Amend Section 103.1 as follows:

**103.1 Creation of enforcement agency.** The Department of Building Safety is hereby created, and the official in charge thereof shall be known as the building official. References to the Department of Building Safety shall mean the Code Compliance



## **SECTION 105 PERMITS**

**105.1 Required.** Refer to Part One, Section 20 for general permit requirements. Any owner or authorized agent who intends to construct, enlarge, alter, repair, move, demolish or change the occupancy of a building or structure, or to erect, install, enlarge, alter, repair, remove, convert or replace any electrical, gas, mechanical or plumbing system, the installation of which is regulated by this code, or to cause any such work to be done, shall first make application to the building official and obtain the required permit.

## **SECTION 106 FLOOR AND ROOF DESIGN LOADS**

**106.1 Live loads posted.** Where the live loads for which each floor or portion thereof of a commercial or industrial building is or has been designed to exceed 50 psf (2.40 kn/m<sup>2</sup>), such design live loads, when required by the building official, shall be posted by the owner in that part of each story in which they apply, using durable signs. It shall be unlawful to remove or deface such notices.

## **SECTION 109 FEES**

**109.2 Schedule of permit fees.** On buildings, structures, electrical, gas, mechanical and plumbing systems or alterations requiring a permit, a fee for each permit shall be paid as required, in accordance with the Construction Permit Fee Schedule found in the DFW Airport Schedule of Charges.

## **SECTION 111 CERTIFICATE OF OCCUPANCY**

**111.2 Certificate issued.** After the building official inspects the building or structure and finds no violations of this code or other laws that are enforced by the department of building safety, the building official shall issue a certificate that contains, as deemed necessary, the following:

## **SECTION 113 BOARD OF APPEALS**

**Section 113.1 – Board of Appeals** Refer to Part One, Construction and Fire Prevention Standards Resolution for Board of Appeals.

## **SECTION 114 VIOLATIONS**

Refer to Part One, Construction and Fire Prevention Standards Resolution, Section 27, Penal Clause.

## **SECTION 202 DEFINITIONS**

**ADDRESSABLE FIRE DETECTION SYSTEM.** Any fire alarm system capable of providing identification of each individual alarm initiating device. The identification shall be in clear English and shall identify the type and location of the device in alarm. The system shall have the ability of alarm verification.

Following the definition of **AGRICULTURE BUILDING**, add the following definition:

**AIRPORT.** Airport is the area within the boundaries of the Dallas-Fort Worth International Airport.

**ANALOG INTELLIGENT ADDRESSABLE FIRE DETECTION SYSTEM.** Any system capable of calculating a change in value by directly measurable quantities (voltage, resistance, etc.) at the sensing point. The physical analog may be conducted at the sensing point or at the main control panel. The system shall be capable of compensating for long-term changes in sensor response while maintaining a constant sensitivity. The compensation shall have a preset point at which a detector maintenance signal shall be transmitted to the control panel. The sensor shall remain capable of detecting and transmitting an alarm while in maintenance alert.

**HIGH-RISE BUILDING.** A building with an occupied floor located more than 55 feet (16 764 mm) above the lowest level of fire department vehicle access.

## **SECTION 402 COVERED MALLS AND OPEN MALL BUILDINGS**

402.3

**Exception:** DFW International Airport Terminal Buildings.

402.4.2.1

**Exceptions:**

1. All tenants whose activities are directly related to terminal operations and purpose. This shall include, but not be limited to airline ticketing, airline offices, baggage handling and gate operations.

2. Concession and other tenants within transportation terminals that use a common, open return-air system for the HVAC operations, when approved by the building official.
3. Food courts within transportation terminals shall be considered one tenant.

**402.8 Means of egress.** *Covered mall buildings, open mall buildings* and each tenant space within a *mall* building shall be provided with a *means of egress* as required by this section and this code. Where there is a conflict between the requirements of this code and the requirements of Sections 402.8.1 through 4.2.8.8 shall apply.

**Exception:** Transportation terminals “A”, “B”, “C” and “E” at DFW International Airport shall be allowed to maintain the current egress plans which allow a maximum of 250 feet from the most remote within the terminals to an exit. Terminal “D” shall maintain the maximum egress distance allowed from the most current, approved Terminal D Fire Strategy. Other provisions found in Chapter 10 shall be applicable for egress.

**402.8.1 Mall Width.** For the purpose of providing required egress, *malls* are permitted to be considered as *corridors* but need not comply with the requirements of Section 1005.1 of this code where the width of the mall is as specified in this section. In the transportation terminals at DFW International Airport the *mall* width shall be defined as the identified concourse width.

402.8.1.1 Minimum Width. The aggregate clear egress width of the mall in either a covered or open mall building shall be not less than 20 feet (6096 mm). The mall width shall be sufficient to accommodate the occupant load served. No portion of the minimum required aggregate egress width shall be less than 10 feet (3048 mm) measured to a height of 8 feet (2438 mm) between any projection of a tenant space bordering the mall and the nearest kiosk, vending machine, bench, display opening, food court or other obstruction to means of egress travel.

Exception: The terminal buildings at DFW International Airport in existence and in operation of the date of the adoption of this code that have concourse width of less than 20 feet shall be allowed to maintain the existing concourse width.

#### 402.8.6

Exceptions:

1. Access to exits are permitted by way of a dead-end mall which does not exceed a length equal to twice the width of the mall measured at the narrowest location within the dead-end portion of the mall.

2. Terminal buildings at DFW International Airport in existence and in operation on the date of the adoption of this code shall be allowed to retain the exit configuration currently in operation. Any changes in this configuration shall meet the above criteria.

### **SECTION 403 HIGH-RISE BUILDINGS**

#### **Applicability**

#### **Exceptions:**

6. Train platforms for fixed guideway transit systems in accordance with Section 412.10.

### **SECTION 412 AIRCRAFT RELATED OCCUPANCIES**

**Aircraft fueling ramp drainage and aircraft loading walkways.** Except for references to airport terminal buildings, comply with NFPA 415, 2014 Edition for aircraft fueling ramp drainage and aircraft loading walkways.

#### **Exceptions:**

1. Attached or adjacent fixed loading walkways, gate houses and similar structures accessory to airport terminal buildings may be constructed of Type II-A Construction, provided the floor area of individual structures does not exceed 500 square feet. An approved automatic sprinkler system in accordance with Section 903.3.1.1 shall be allowed to be substituted for 1-hour fire-resistance-rated construction. If the automatic sprinkler system substitution is provided, exterior walls of such structures shall not be required to be of 1-hour fire-resistance-rated construction and openings in such walls shall not be required to be protected.
2. Canopies over baggage conveyors attached to or adjacent to airport terminal buildings may be of Type II-B Construction.

**412.10 Fixed guideway transit systems.** Fixed guideway transit systems shall comply with NFPA 130, 2014 Edition.

### **SECTION 903 AUTOMATIC SPRINKLER SYSTEMS**

**Buildings 55 feet or more in height.** An *automatic sprinkler system* shall be installed throughout buildings with a floor level other than penthouses, that is located 55 feet (16 764 mm) or more above the lowest level of fire department vehicle access.

**Exception:**

Open parking structures.

**High-piled combustible storage.** For any building with a clear height exceeding 12 feet (4572 mm), see Chapter 23 of the International Fire Code to determine if those provisions apply.

**Buildings with floor areas exceeding 4,000 square feet.** An automatic sprinkler system shall be installed throughout all buildings with a building area exceeding 4,000 square feet. For purposes of this provision, fire walls shall not define separate buildings.

**Exception:**

1. Open parking garages

**Self-service storage facilities.** An approved automatic sprinkler system shall be installed throughout all self-storage facilities.

**Exception:**

Open parking garages

## **SECTION 907 FIRE ALARM AND DETECTION SYSTEMS**

Add the following two paragraphs after the exceptions under Section 907.2:

All buildings or occupancies, occupied, operated, maintained or monitored by the Dallas-Fort Worth International Airport Board shall have a complete operational manual and automatic fire alarm system in accordance with this code. The system shall be designed and installed in accordance with the DFW Airport Design Criteria Manual and applicable standards.

All buildings or occupancies, other than those described in the preceding paragraph, hereafter constructed or moved on to the airport and having a total floor area of 1,000 square feet or more, regardless of height or occupant load shall have a complete operational manual and automatic fire alarm system in accordance with the requirements of this code.

**Exceptions:**

1. Open parking garages may use other approved means for fire

department notification.

2. Temporary structures or buildings erected for less than 365 days when approved by the fire chief.

**[F] 907.2.1.1 System initiation in Group A occupancies with an occupant load of 1,000 or more.** Activation of the fire alarm in Group A occupancies with an occupant load of 1,000 or more shall initiate a signal using an emergency voice/alarm communications system in accordance with NFPA 72.

**Exceptions:**

- 1 Where approved, the prerecorded announcement is allowed to be manually deactivated for a period of time, not to exceed 3 minutes, for the sole purpose of allowing a live voice announcement from an *approved, constantly attended location*.
- 2 Where approved by the code official in airport terminal buildings, and where the fire alarm is monitored directly by the Dallas/Fort Worth International Airport Board Department of Public Safety, the activation of the fire alarm notification signal shall be manually initiated by emergency responders.

Amend Section 907.2.13 as follows with the exceptions unchanged:

**[F] 907.2.13 High-rise buildings.** Buildings having floors used for human occupancy located more than 55 feet (16 764 mm) above the lowest level of fire department vehicle access shall be provided with an automatic smoke detection system in accordance with Section 907.2.13.1, a fire department communication system in accordance with Section 907.2.13.2 and an emergency voice/alarm communication system in accordance with Section 907.5.2.2.

Amend Section 907.4.2 by to read as follows:

**[F] 907.4.2 Manual fire alarm boxes.** Where a manual fire alarm system is required by another section of this code, it shall be activated by fire alarm boxes installed in accordance with Sections 907.4.2.1 through 907.4.2.5. Manual alarm actuating devices shall be an approved double action type.

**[F] 907.4.2.1 Location.** Manual fire alarm boxes shall be located not more than 5 feet (1524 mm) from the entrance to each exit.

**SECTION 1003  
GENERAL MEANS OF EGRESS**

Add Exception 4 under Section 1003.5 to read as follows:

At entrances to mechanical penthouses from roofed areas, the door sill elevation may be up to 8 inches (203 mm) above the elevation of the

landing on either or both sides of the door.

## **SECTION 1004 OCCUPANT LOAD**

### **Multiple function occupant load.**

Where an area under consideration contains multiple functions having different *occupant load* factors, the design *occupant load* for such area shall be based on the floor area of each function calculated independently

### **Exception:**

Assembly occupancies within airport terminal buildings are not required to have the occupant load posted unless required by the Building Official.

## **SECTION 1010 DOORS, GATES, AND TURNSTILES**

**1010.1.9.10 Locking arrangements in correctional facilities and high security hallways in transportation terminals.** In occupancies in Groups A-2, A-3, A-4, B, E, F, I-2, M and S within correctional and detention facilities, doors in *means of egress* serving rooms or spaces occupied by persons whose movement are controlled for security reasons shall be permitted to be locked when equipped with egress control devices which shall unlock manually and by at least one of the following means:

1. Activation of an *automatic sprinkler system* installed in accordance with Section 903.3.1.1.
2. Activation of an *approved* manual alarm box; or
3. A signal from a *constantly attended location*.

Doors providing access to high security hallways, including, but limited to employee access, within transportation terminals may be permitted to be locked when equipped with egress control devices which shall unlock manually and by at least one of the means listed above when approved by the building official and fire chief.

## **SECTION 1023 INTERIOR EXIT STAIRWAYS AND RAMPS**

### **Tactile Floor Signs**

Where floor level signs are provided in *interior exit stairways* and *ramps*, a floor-level sign identifying the floor level in visual characters, raised characters and braille complying with ICC A117.1 shall be located at each floor-level landing adjacent to the door leading from the *interior exit stairway* and *ramp* into the corridor.

**Exception:** Fixed guideway train stations

---

**SECTION 1025  
LUMINOUS EGRESS PATH MARKINGS**

**1025.1**

**Exceptions:**

2. Train platforms for fixed guideway transit systems in accordance with Section 412.10.

**CHAPTER 11  
ACCESSIBILITY**

Spaces and elements of buildings and facilities shall be designed and constructed to standards consistent with the Texas Accessibility Standards as administered by the Texas Department of Licensing and Regulation, except for the following:

**Unisex toilet rooms.** Assembly areas shall be provided with one unisex toilet room for each instance where the total fixture count (water closets and urinals) in a set of men and women's toilet rooms exceeds 20 fixtures. In assembly areas of airport terminal buildings, one unisex toilet room shall be provided in each instance where the total fixture count (water closets and urinals) in a set of men and women's toilet rooms exceeds 6 fixtures. The unisex toilet room shall be located adjacent to the men and women's toilet rooms, which are used to determine that the unisex toilet room is required.

**SECTION 3002 HOISTWAY  
ENCLOSURES**

**3002.4 Elevator car to accommodate ambulance stretcher.** Where elevators are provided in buildings four or more stories above grade plane or four or more *stories below grade plane, at least one elevator shall be provided for fire department* emergency access to all floors. The elevator car shall be of such size and arrangement to accommodate a 31- by 90-inch (788 mm by 2286 mm) ambulance stretcher in the horizontal open position and shall be identified by the international symbol for emergency medical services (star of life). The symbol shall not be less than 3 inches (76 mm) high and shall be placed inside on both sides of the hoist way door frame.

**CHAPTER 35  
REFERENCED STANDARDS**

**NFPA**

Standard Reference Number 72-2013

National Fire Alarm Code



## **ADOPTION OF APPENDIX CHAPTER H SIGNS**

Appendix Chapter H – Signs is specifically adopted as part of the Building Code.

Amend Section H101.2 as follows:

**H- 101.2 Signs exempt from permits.** The following signs are exempt from the requirements to obtain a permit before erection:

1. Signs erected by transportation authorities.
2. The changing of movable parts of an approved sign that is designed for such changes, or the repainting or repositioning of display matter shall not be deemed an alteration.

### **PART THREE – FIRE CODE AMENDMENTS**

#### **SECTION 101 SCOPE AND GENERAL REQUIREMENTS**

**101.1 Title.** The 2021 International Fire Code as amended herein is the Fire Code of Dallas-Fort Worth International Airport. References to International Fire Code shall be construed to reference the Fire Code as adopted herein with its local amendments.

#### **SECTION 102 APPLICABILITY**

**102.7 Referenced codes and standards.** The codes and standards referenced in this code shall be those that are listed in Chapter 80 and such codes and standards, when specifically adopted, shall be considered part of the requirements of this code to the prescribed extent of each such reference. Where differences occur between the provisions of this code and the referenced standards, the provisions of this code shall apply. Whenever amendments have been adopted to the referenced codes and standards, each reference to said code and standard shall be considered to reference the amendments as well.

**Conflicts.**

Where conflicts occur between provisions of this code and referenced codes and standards, the provisions of this code shall apply.

**Provisions in referenced codes and standards.**

Where the extent of the reference to a referenced code or standard includes subject matter that is within the scope of this code, the provisions of this code, as applicable, shall take precedence over the provisions in the referenced code or standard.

**SECTION 103  
DEPARTMENT OFFIRE PREVENTION**

**103.1 General.** The department of fire prevention is established within the jurisdiction under the direction of the fire code official. The function of the department shall be the implementation, administration and enforcement of the provisions of this code. References to the department of fire prevention shall mean the Department of Public Safety, Fire Prevention and Planning Office.

**SECTION 105  
PERMITS**

**105.6.7 Combustible dust-producing operations.** Combustible dust-producing operations, as defined in this code, shall be prohibited within the airport.

**105.6.19 Fruit and crop ripening.** Fruit and crop ripening operations using ethylene or other flammable gases shall be prohibited within the airport.

**105.6.35 Organic coatings.** The manufacturing of organic coatings, as defined in this code, shall be prohibited within the airport.

**Fire pumps and related equipment.**

A construction permit is required for installation of or modification to fire pumps and related fuel tanks, jockey pumps, controllers and generators. Maintenance performed in accordance with this code is not considered to be a modification and does not require a construction permit

**Pyroxylin plastics.** An operational permit is required for storage or handling of any amount of cellulose nitrate (pyroxylin) plastics and for the assembly or manufacture of articles involving pyroxylin plastics.

**105.7.19 Electronic access control systems.** Construction permits are required for the installation or modification of an electronic access control system, as specified in Chapter 10. A separate construction permit is required for the installation or modification of a fire alarm system that may be connected to the access control system. Maintenance performed in accordance with this code is not considered a modification and does not require a permit.

## **SECTION 107 MAINTENANCE**

Fees for re-inspections or for inspections outside of normal business hours shall be reimbursed as required by the fire chief in accordance with the DFW Airport Schedule of Charges, Development Charges.

## **SECTION 108 BOARD OF APPEALS**

**108.1 Board of appeals.** Refer to Part One, Construction and Fire Prevention Standards Resolution for Board of Appeals.

## **SECTION 109 VIOLATIONS**

**109.4 Violation penalties.** Refer to Part One, Construction and Fire Prevention Standards Resolution, Section 27, Penal Clause.

## **SECTION 202 DEFINITIONS**

**ADDRESSABLE FIRE DETECTION SYSTEM.** Any fire alarm system capable of providing identification of each individual alarm-initiating device. The identification shall be in clear English and shall identify the type and location of the device in alarm. The system shall have the ability of alarm verification.

**ANALOG INTELLIGENT ADDRESSABLE FIRE DETECTION SYSTEM.** Any system capable of calculating a change in value by directly measurable quantities (voltage, resistance, etc.) at the sensing point. The physical analog may be conducted at the sensing point or at the main control panel. The system shall be capable of compensating for long-term changes in sensor response while maintaining a constant sensitivity. The compensation shall have a preset point at which a detectomaintenance signal shall be transmitted to the control panel. The sensor shall remain capable of detecting and transmitting an alarm while in maintenance alert.

**HIGH-PILED COMBUSTIBLE STORAGE.** Any building classified as a group S occupancy or Speculative building exceeding 12,000 sq.ft. that has a clear height in excess of 14 feet which permits storage in excess of 12 feet shall be considered high-piled storage.

**HIGH-RISE BUILDINGS.** Buildings with a floor used for human occupancy located more than 55 feet (16 764 mm) above the lowest level of fire department vehicle access.

**REPAIR GARAGE.** A building structure or portion thereof used for servicing or

repairing motor vehicles. This definition shall also include garages involved in minor repair, modification and servicing of motor vehicles for items such as oil/lube changes, Inspections, windshield repair or replacement, shocks, minor part replacement and other such minor repairs.

**SELF-SERVICE STORAGE FACILITY.** Real property designed and used for the purpose of renting or leasing individual storage spaces to customers for the purpose of storing and removing personal property on a self-service basis.

## **SECTION 307 OPEN BURNING, RECREATIONAL FIRES AND PORTABLE OUTDOOR FIREPLACES**

**307.4.1 Bonfires.** Bonfires shall be prohibited within the airport.

## **SECTION 404 FIRE SAFETY, EVACUATION AND LOCKDOWN PLANS**

**4.10** Fire extinguishing system controls.

## **SECTION 501 GENERAL**

**501.4 Timing of installation.** When fire apparatus access roads or a water supply for fire protection is required for any structure or development, they shall be installed, tested and approved upon the completion of the foundation structure and prior to any additional construction taking place.

## **SECTION 503 FIRE APPARATUS ACCESS ROADS**

**503.2.1 Dimensions.** Fire apparatus access roads shall have an unobstructed width of not less than 24 feet (7315 mm), exclusive of shoulders, except for approved security gates in accordance with Section 503.6, and an unobstructed vertical clearance of not less than 14 feet (4267 mm).

**503.2.2 Authority.** The fire code official shall have the authority to require an increase or decrease in the minimum access widths and vertical clearances where they are inadequate for fire or rescue operations.

**503.2.3 Surface.** Fire apparatus roads shall be designed and maintained to support imposed loads of 82,000 lbs. for fire apparatus and shall be surfaced so as to provide all-weather driving capabilities.

**503.3 Marking.** Striping, signs, or other markings, when approved by the *fire code official*, shall be provided for fire apparatus access roads to identify such roads or prohibit the obstruction thereof. Striping, signs and other markings shall be maintained in a clean and legible condition at all times and replaced or repaired when necessary to

provide adequate visibility.

**(1) Striping** – Fire apparatus access roads shall be continuously marked by painted lines of red traffic paint six inches (6”) in width to show the boundaries of the lane. The words “NO PARKING FIRE LANE” or “FIRE LANE NO PARKING” shall appear in four- inch (4”) white letters at 25 feet intervals on the red border markings along both sides of the fire lanes. Where a curb is available, the striping shall be on the vertical face of the curb.

**(2) Signs** – Signs shall read “NO PARKING FIRE LANE” or “FIRE LANE NO PARKING” and shall be 12” wide and 18” high. Signs shall be painted on a white background with letters and borders in red, using not less than 2” lettering. Signs shall be permanently affixed to a stationary post and the bottom of the sign shall be six feet, six inches (6’6”) above finished grade. Signs shall be spaced not more than fifty feet (50’) apart along both sides of the fire lane. Signs may be installed on permanent buildings or walls or as approved by the Fire Chief.

**503.4 Obstruction of fire apparatus access roads.** Fire apparatus access roads shall not be obstructed in any manner, including the parking of vehicles. The minimum widths and clearances established in Section 503.2.1 and any area marked as a fire lane as described in Section 503.3 shall be maintained at all times.

## **SECTION 505 PREMISES IDENTIFICATION**

**Address identification.** New and existing buildings shall be provided with approved address identification. The address identification shall be legible and placed in a position that is visible from the street or road fronting the property. Address identification characters shall contrast with their background. Address numbers shall be Arabic numbers or alphabetical letters. Numbers shall not be spelled out. Each character shall be not less than 6 inches (152.4 mm) high with a minimum stroke width of 1/2 inch (12.7 mm). Where required by the fire code official, address numbers shall be provided in additional approved locations to facilitate emergency response. Where access is by means of a private road, buildings do not immediately front a street, and/or the building cannot be viewed from the public way, a monument, pole or other sign with approved 6-inch (152.4 mm) height building numerals or addresses and 4-inch (101.6 mm) height suite/apartment numerals of a color contrasting with the background of the building or other approved means shall be used to identify the structure. Numerals or addresses shall be posted on a minimum 20-inch (508 mm) by 30-inch (762 mm) background on border. Address identification shall be maintained.

## **SECTION 507 FIRE PROTECTION WATER SUPPLIES**

**Water supply test date and information.** The water supply test used for hydraulic calculation of fire protection systems shall be conducted in accordance with NFPA 291 “Recommended Practice for Fire Flow Testing and Marking of Hydrants” and within one year of sprinkler plan submittal. The *fire code official* shall be notified prior to the water supply test. Water supply tests shall be witnessed by the *fire code official*, as required.

The exact location of the static/residual hydrant and the flow hydrant shall be indicated on the design drawings. All fire protection plan submittals shall be accompanied by a hard copy of the water flow test report, or as approved by the *fire code official*. The report must indicate the dominant water tank level at the time of the test and the maximum and minimum operating levels of the tank, as well, or identify applicable water supply fluctuation. The licensed contractor must then design the fire protection system based on this fluctuation information, as per the applicable referenced NFPA standard. Reference Section 903.3.5 for additional design requirements.

**Where required.** The location, number and type of fire hydrants connected to a water supply capable of delivering the required fire flow shall be provided on the public street or on the site to be protected or both as required by the fire chief. Fire hydrants shall be installed at intervals not to exceed 250 feet (76 200 mm) along new roadways, and at such locations that no part of a building exterior wall is in excess of a hose lay, 300 feet (91 440 mm) in length from the hydrant as measured along an approved route around the exterior of the building.

**507.5.4 Obstruction.** Unobstructed access to fire hydrants shall be maintained at all times. Posts, fences, vehicles, growth, trash, storage and other materials or objects shall not be placed or kept near fire hydrants, fire department inlet connections or fire protection system control valves in a manner that would prevent such equipment or fire hydrants from being immediately discernible. The fire department shall not be deterred or hindered from gaining immediate access to fire protection equipment or fire hydrants.

#### **507.5.1.1 Hydrant for standpipe systems.**

Buildings equipped with a standpipe system installed in accordance with Section 905 shall have a fire hydrant within 100 feet (30 480 mm) of the fire department connections.

**Exception:** The distance shall be permitted to exceed 100 feet (30 480 mm) where *approved by the fire code official*. from City of Dallas Ordinance No. 30135

## **SECTION 604 EMERGENCY AND STANDBY POWER SYSTEMS**

**604.1.2 Installation.** Emergency power systems and standby power systems shall be installed in accordance with the *International Building Code*, NFPA 70, NFPA 110 and NFPA 111. Existing installations shall be maintained in accordance with the original approval, except as specified in Chapter 11.

**604.1.9 Critical Operations Power Systems (COPS).** For Critical Operations Power Systems necessary to maintain continuous power supply to facilities or parts of facilities that require continuous operation for the reasons of public safety, emergency management, national security, or business continuity, see NFPA 70. Amend Section 604.2 to read as follows:

**604.2 Where required.** Emergency and standby power systems shall be provided where required by Sections 604.2.1 through 604.2.24 or elsewhere identified in this

code or any other referenced code.

**604.2.4 Group A occupancies. Emergency voice/alarm communications systems.**

Emergency power shall be provided for emergency voice/alarm communications systems in the following occupancies, or as specified elsewhere in this code, as required in Section 907.5.2.2.5. The system shall be capable of powering the required load for a duration of not less than 24 hours, as required in NFPA 72.

Covered and Open Malls, Section 907.2.20 and 914.2.3  
Group A occupancies, Sections 907.2.1 and  
907.5.2.2.4. Special Amusement buildings,  
Section 907.2.12.3  
High-rise buildings, Section 907.2.13  
Atriums, Section 907.2.14  
Deep Underground buildings, Section 907.2.19

**604.2.15 Smoke Control Systems.** Standby power shall be provided for smoke control systems in the following occupancies, or as specified elsewhere in this code, as required in Section 909.11:

Covered mall building, *International Building Code*, Section 402.7  
Atriums, *International Building Code*, Section 404.7  
Underground buildings, *International Building Code*, Section 405.8

**Group I-3, *International Building Code*, Section 408.4.2 Stages, *International Building Code*, Section 410.3.7.2**

Special Amusement buildings (as applicable to Group A's ), *International Building Code*, Section 411.1 Smoke protected seating, Section 1029.6.2.1

**604.2.17 Covered and open mall buildings.** Emergency power shall be provided in accordance with Section 907.2.20 and 914.2.3.

**604.2.18 Airport traffic control towers.** A standby power system shall be provided in airport traffic control towers more than 65 ft. in height. Power shall be provided to the following equipment:

1. Pressurization equipment, mechanical equipment and lighting.
2. Elevator operating equipment.
3. Fire alarm and smoke detection systems.

**604.2.19 Enclosures and Stair Pressurization Alternative.** Standby power shall be provided for smoke proof enclosures, stair pressurization alternative and associated automatic fire detection systems as required by the *International Building Code*, Section 909.20.6.2.

**604.2.20 Elevator pressurization.** Standby power shall be provided for elevator pressurization system as required by the *International Building Code*, Section 909.21.5.

**604.2.21 Shaft Penetrations.** Standby power shall be provided when eliminating the smoke dampers in ducts penetrating shafts in accordance with the *International Building Code*, Section 717.5.3, exception 2.3.

**604.2.22 Exhaust systems for clothes dryers.** Standby power shall be provided for common exhaust systems for clothes dryers located in multistory structures in accordance with the *International Mechanical Code*, Section 504.10, Item 7.

**604.2.23 Hydrogen Cutoff Rooms.** Standby power shall be provided for mechanical ventilation and gas detection systems of Hydrogen Cutoff Rooms in accordance with the *International Building Code*, Section 421.8.

**604.2.24 Means of Egress Illumination in Existing Buildings.** Emergency power shall be provided for *means of egress* illumination in accordance with Section 1104.5 when required by the fire code official. (90 minutes in I-2, 60 minutes elsewhere.)

**604.8 Energy time duration.** Unless a time limit is specified by the fire code official, in this chapter or elsewhere in this code, or in any other referenced code or standard, the emergency and standby power system shall be supplied with enough fuel or energy storage capacity for not less than 2-hour full-demand operation of the system.

**Exception:** Where the system is supplied with natural gas from a utility provider and is approved.

## **SECTION 609 COMMERCIAL KITCHEN HOODS**

**609.2 Where required.** A Type I hood shall be installed at or above all commercial cooking appliances and domestic cooking appliances used for commercial purposes that produce grease vapors, including but not limited to cooking equipment used in fixed, mobile, or temporary concessions, such as trucks, buses, trailers, pavilions, or any form of roofed enclosure, as required by the fire code official.

## **SECTION 704 FLOOR OPENINGS AND SHAFTS**

**704.1 Enclosure.** Interior vertical shafts including, but not limited to, *stairways*, elevator hoist ways, service and utility shafts, that connect two or more stories of a building shall be enclosed or protected in accordance with the codes in effect at the time of construction but, regardless of when constructed, not less than as required in Chapter 11. New floor openings in existing buildings shall comply with the *International Building Code*.

## **SECTION 901 GENERAL**



**901.6.1.1 Standpipe Testing.** Building owners/managers must maintain and test standpipe systems as per NFPA 25 requirements. The following additional requirements shall be applied to the testing that is required every 5 years:

1. The piping between the Fire Department Connection (FDC) and the standpipe shall be back flushed when foreign material is present, and also hydrostatically tested for all FDC's on any type of standpipe system. Hydrostatic testing shall also be conducted in accordance with NFPA 25 requirements for the different types of standpipe systems.
2. For any manual (dry or wet) standpipe system not having an automatic water supply capable of flowing water through the standpipe, the tester shall connect hose from a fire hydrant or portable pumping system (as approved by the *fire code official*) to each FDC, and flow water through the standpipe system to the roof outlet to verify that each inlet connection functions properly. Confirm that there are no open hose valves prior to introducing water into a dry standpipe. There is no required pressure criteria at the outlet. Verify that check valves function properly and that there are no closed control valves on the system.
3. Any pressure relief, reducing, or control valves shall be tested in accordance with the requirements of NFPA 25. All hose valves shall be exercised.
4. If the FDC is not already provided with approved caps, the contractor shall install such caps for all FDC's as required by the *fire code official*.
5. Upon successful completion of standpipe test, place a blue tag (as per Texas Administrative Code, Fire Sprinkler Rules for Inspection, Test and Maintenance Service (ITM) Tag) at the bottom of each standpipe riser in the building. The tag shall be check-marked as "Fifth Year" for Type of ITM, and the note on the back of the tag shall read "5 Year Standpipe Test" at a minimum.
6. The procedures required by Texas Administrative Code Fire Sprinkler Rules with regard to Yellow Tags and Red Tags or any deficiencies noted during the testing, including the required notification of the local Authority Having Jurisdiction (*fire code official*) shall be followed.

7. Additionally, records of the testing shall be maintained by the owner and contractor, if applicable, as required by the State Rules mentioned above and NFPA 25.

**901.6.3 False Alarms and Nuisance Alarms.** False alarms and nuisance alarms shall not be given, signaled or transmitted or caused or permitted to be given, signaled for transmitted in any manner.

**901.7 Systems out of service.** Where a required *fire protection system* is out of service or in the event of an excessive number of activations, the fire department and the *fire code official* shall be notified immediately and, where required by the *fire code official*, the building shall either be evacuated, or an *approved fire watch* shall be provided for all occupants left unprotected by the shut down until the *fire protection system* has been returned to service.

## **SECTION 903 AUTOMATIC SPRINKLER SYSTEMS**

**903.2.11.3 Buildings more than 55 feet in height.** An *automatic sprinkler system* shall be installed throughout buildings that have one or more stories with an occupant load of 30 or more, other than penthouses in compliance with Section 1509 of the Building Code, that is located more than 55 feet (16 764 mm) or more above the lowest level of fire department vehicle access measured to the finished floor.

**Exception:**

Open parking structures in compliance with Section 406.5 of the International Building Code, having no other occupancies above the subject garage.

**903.2.11.7 High-piled combustible storage.** For any building with a clear height exceeding 12 feet (4572 mm), see Chapter 32 to determine if those provisions apply.

**903.2.11.8 Buildings with a floor area exceeding 4,000 square feet.** An automatic sprinkler system shall be installed throughout all buildings with a building area exceeding 4,000 square feet. For the purpose of this provision, fire walls shall not define separate buildings.

**Exception:**

Open parking garages.

**903.2.11.9 Self-service storage facilities.** An approved automatic sprinkler system shall be installed throughout all self-storage facilities.

**903.3.1.1.1 Exempt locations.** When approved by the *fire code official*, automatic sprinklers shall not be required in the following rooms or areas where it is damp, of fire-resistance-rated construction or contains electrical equipment.

1. Any room where the application of water, or flame and water, constitutes a serious life or fire hazard.
2. Any room or space where sprinklers are considered undesirable because of the nature of the contents, when approved by the code official.
3. Generator and transformer rooms, under the direct control of a public utility, separated from the remainder of the building by walls and floor/ceiling or roof/ceiling assemblies having a fire- resistance rating of not less than 2 hours.
4. Elevator machine rooms, machinery spaces, and hoist ways, other than pits where such sprinklers would not necessitate shunt trip requirements under any circumstances.

## **SECTION 905 STANDPIPE SYSTEMS**

**905.3.9 Buildings exceeding 10,000 sq. ft.** In buildings exceeding 10,000 square feet in area per story and where any portion of the building's interior area is more than 200 feet (60960 mm) of travel, vertically and horizontally, from the nearest point of fire department vehicle access, Class I automatic wet or manual wet standpipes shall be provided.

**Exceptions:**

1. Automatic dry and semi-automatic dry standpipes are allowed as provided for in NFPA 14.
2. R-2 occupancies of four stories or less in height having no interior corridors.

**905.4 Location of Class I Standpipe hose connections** Class I standpipe connections shall be provided in all of the following locations:

1. In every required exit stairway, a hose connection shall be provided for each story above and below grade plane. Hose connections shall be located at an intermediate landing between stories, unless otherwise approved by the fire code official.

2. {No Change}

3. In every exit passageway, at the entrance from the exit passageway to other areas of a building.

**Exception:** Where floor areas adjacent to an exit passageway are reachable from an exit stairway hose connection by a 30-foot (9144 mm) hose stream from a nozzle attached to 100 feet (30 480 mm) of hose, a hose connection shall not be required at the horizontal exit.

4. {No Change}

5. Where the roof has a slope less than four units vertical in 12 units horizontal (33.3-percent slope), each standpipe shall be provided with a two-way a hose connection shall be located to serve the roof or at the highest landing of an exit

stairway with stair access to the roof provided in accordance with Section 1011.12.

6. When required by this Chapter, standpipe connections shall be placed adjacent to all required exits to the structure and at two hundred feet (200') intervals along major corridors thereafter, or as otherwise approved

## **SECTION 907 FIRE ALARM AND DETECTION SYSTEMS**

All buildings or occupancies, occupied, operated, maintained or monitored by the Dallas-Fort Worth International Airport Board shall have a complete operational manual and automatic fire alarm system in accordance with this code. The system shall be designed and installed in accordance with the DFW Airport Design Criteria Manual and applicable standards.

All buildings, other than those described in the preceding paragraph, hereafter constructed or moved on to the airport and having a total floor area of 1,000 square feet or more, regardless of height or occupant load, shall have a complete operational manual and automatic fire alarm system in accordance with the occupancy requirements of this code.

### **Exceptions:**

1. Open parking garages may use other approved means for fire department notification.
2. Temporary structures or buildings erected for less than 365 days when approved by the AHJ.

**907.2.13 High-rise buildings.** Buildings having floors used for human occupancy located more than 55 feet (16 764 mm) above the lowest level of fire department vehicle access shall be provided with an automatic smoke detection system in accordance with Section 907.2.13.1, a fire department communication system in accordance with Section 907.2.13.2 and an emergency voice/alarm communication system in accordance with Section 907.6.2.2.

**907.42 Manual fire alarm boxes.** Where a Manual fire alarm system is required by another section of this code, it shall be activated by fire alarm boxes installed in accordance with sections 907.4.2.1 through 907.4.2.6. Manual alarm actuating devices shall be of an approved double action type.

### **907.5**

### **Exceptions:**

1. Where approved by the code official in airport terminal buildings, and where the fire alarm is monitored directly by the Dallas/Fort Worth International Airport Board, Department of Public Safety, the activation of

the fire alarm notification signal shall be manually initiated by emergency responders.

## **SECTION 910 SMOKE AND HEAT REMOVAL**

**901.2.3 Group H.** Buildings and portions thereof used as a Group H occupancy as follows:

1. In occupancies classified as Group H-2 or H-3, any of which are more than 15,000 square feet (1394 sqm) in single floor area.

**Exception:** Buildings of noncombustible construction containing only noncombustible materials.

2. In areas of buildings in Group H used for storing Class 2, 3 and 4 liquid and solid oxidizers, Class 1 and unclassified detonable organic peroxides, Class 3 and 4 unstable (reactive) materials, or Class 2 or 3 water-reactive materials as required for a high-hazard commodity classification.

**Exception:** Buildings of noncombustible construction containing only noncombustible materials.

**913.2.1** When located on the ground level at an exterior wall, the fire pump room shall be provided with an exterior fire department access door that is not less than 3 ft. in width and 6 ft. – 8 in. in height, regardless of any interior doors that are provided. A key box shall be provided at this door, as required by Section 506.1.

**Exception:** When it is necessary to locate the fire pump room on other levels for not at an exterior wall, the corridor leading to the fire pump room access from the exterior of the building shall be provided with equivalent fire resistance as that required for the pump room, or as approved by the *fire code official*. Access keys shall be provided in the key box as required by Section 506.1.

## **SECTION 1003 GENERAL MEANS OF EGRESS**

### **1003.5**

**Exception:** 4. At entrances to mechanical penthouses from roofed areas, the door sill elevation may be up to 8 inches (203 mm) above the elevation of the landing on either or both sides of the door.

## **SECTION 1004 OCCUPANT LOAD**

**[B] 1004.3 Posting of occupant load.** Every room or space that is an assembly occupancy shall have the occupant load of the room or space posted in a conspicuous place, near the main exit or exit access doorway from the room or space. Posted signs

shall be of an approved legible permanent design and shall be maintained by the owner or authorized agent. Assembly occupancies within airport terminal buildings are not required to have the occupant load posted unless required by the Building Official.

## **SECTION 1023 INTERIOR EXIT STAIRWAYS AND RAMPS**

**1023.11 Smokeproof enclosures.** In buildings required to comply with Section 403 or 405 of the International Building Code, each of the exit enclosures serving a story with a floor surface located more than 55 feet (16 764 mm) above the lowest level of fire department vehicle access or more than 30 feet (9144 mm) below the finished floor of a level of exit discharge serving such stories shall be a smoke proof enclosure or pressurized stairway in accordance with Section 909.20 of the International Building Code.

### **Exception:**

Fixed guideway train stations.

## **SECTION 5005 USE, DISPENSING AND HANDLING**

**5005.1.8** Gas cabinets, exhaust enclosures and exhaust ducts with a cross sectional dimension of 10 inches (255 mm) or greater shall be internally sprinklered.

## **SECTION 5704 STORAGE**

**5704.2.9.5.3 Combustible liquid storage tanks inside of buildings.** The maximum aggregate allowable quantity limit shall be 3,000 gallons (11 356 L) of Class II or III combustible liquid for storage in protected aboveground tanks complying with Section when all of the following conditions are met:

1. The entire 3,000-gallon (11 356 L) quantity shall be stored in protected above-ground tanks.
2. The 3,000-gallon (11 356 L) capacity shall be permitted to be stored in a single tank or multiple smaller tanks.
3. The tanks shall be located in a room protected by an *automatic sprinkler system* complying with Section 903.3.1.1; and
4. Tanks shall be connected to fuel-burning equipment, including generators, utilizing an *approved* closed piping system.

The quantity of combustible liquid stored in tanks complying with this section shall not be counted towards the maximum allowable quantity set forth in Table 5003.1.1(1), and

such tanks shall not be required to be located in a control area. Such tanks shall not be located more than two stories below grade.

**SECTION 5706  
SPECIAL OPERATIONS**

**5706.3.1.3.3 Natural gas pipeline setback from buildings.** No building hereinafter erected shall be located within 50 feet (15 240 mm) of a natural gas gathering pipeline.

**SECTION 6003  
HIGHLY TOXIC AND TOXIC SOLIDS AND LIQUIDS**

**6003.5**

**Exception:**

Sprinklers are not required for certain water reactive materials when sprinklers would not be effective in controlling the fire.

**CHAPTER 80 REFERENCED  
STANDARDS**

Standard Reference Number 130-2014 – NFPA 130, Standard for Fixed Guideway Transit and Passenger Rail Systems

**ADOPTION OF APPENDIX CHAPTERS**

The following appendix chapters are specifically adopted as part of the Fire Code.

- |                   |   |
|-------------------|---|
| <b>Appendix B</b> | Fire Flow Requirements for Buildings (Except B105.3 – Water supply for buildings equipped with an automatic sprinkler system)                       |
| <b>Appendix C</b> | Fire Hydrant Locations and Distribution (Except hydrant spacing as required by Section 507.5.1.)  |
| <b>Appendix D</b> | Fire Apparatus Access Roads (except that minimum width of fire apparatus access roads shall be in accordance with Section 503.2.1 of the Fire Code) |
| <b>Appendix G</b> | Cryogenic Fluids – Weight and Volume Equivalents  |
| <b>Appendix L</b> | Requirements for Fire Fighter Air Replenishment System  |

## PART FOUR – ELECTRICAL CODE AMENDMENTS

### ARTICLE 89 TITLE

**89.6 Energized Electrical.** All electrical energy which requires an electrical inspection by the DFW Building Official or their representatives, shall first receive an approved inspection prior to energizing the equipment and/ or the conductors.

Electrical equipment energized without an approved inspection shall be deemed unsafe electrical.

**89.7 Approval.** The conductors and equipment required or permitted by this Code shall be acceptable only if approved. Approval of equipment may be evident by listing and labeling of equipment by a Nationally Recognized Testing Lab (NRTL) with a certification mark of that laboratory or a qualified third-party inspection agency approved by the AHJ.



## **PART FIVE - MECHANICAL CODE AMENDMENTS**

### **SECTION 101 GENERAL**

**101.1 Title.** The 2021 International Mechanical Code as amended herein is the Mechanical Code of Dallas-Fort Worth International Airport. References to the International Mechanical Code shall be construed to reference the Mechanical Code as adopted herein with its local amendments.

### **SECTION 103 DEPARTMENT OF MECHANICAL INSPECTION**

**103.1 General.** The department of mechanical inspection is hereby created and the executive official in charge thereof shall be known as the building official. References to the department of mechanical inspection shall mean the Code Compliance Section of the Design, Code & Construction.

### **SECTION 106 PERMITS**

**106.5.2 Fee schedule.** Refer to Part Two, Building Code Amendments, Section 109 for fees.

**106.5.3 Fee refunds.** The building official is authorized to establish a refund policy.

### **SECTION 108 VIOLATIONS**

**108.4 Violation penalties.** Refer to Part One, Construction and Fire Prevention Standards Resolution, Section 27, Penal Clause.

### **SECTION 109 MEANS OF APPEAL**

Replace Section 109 with the following reference:

Refer to Part One, Construction and Fire Prevention Standards Resolution for Board of Appeals.

## **502.4 Stationary Storage Battery Systems**

Stationary storage battery systems shall be regulated and ventilated in accordance with the amendments below and the other general requirements of this chapter.

Mechanical exhaust ventilation shall be provided at a rate of not less than 1 ft<sup>3</sup>/min/ft<sup>2</sup> (5.1 L/sec/m<sup>2</sup>) of floor area of the room, area or walk-in unit.

The ventilation shall be either continuous or shall be activated by a gas detection system.

### **Standby Power**

Mechanical exhaust ventilation shall be provided with a minimum of 2 hours of standby power.

### **Supervision**

Required mechanical exhaust ventilation systems shall be supervised by and approved central station, proprietary or remote service in accordance with NFPA 72, or shall initiate an audible and visual signal at a constantly attended on-site location.

Failure of the gas detection system shall annunciate a trouble signal at an approved central station, proprietary or remote station service in accordance with NFPA 72 or shall initiate an audible and visual trouble signal at an approved constantly attended on-site location.

### **Ventilation Based on Exhaust Rate**

Where required by the Table For Requirements of Battery Charging Stations or elsewhere in this code, explosion control complying with Section 911 of the International Fire Code shall be provided for rooms, areas or walk-in units containing battery chargers/electrochemical ESS technologies.

**Table For Requirements of Battery Charging Stations**

COMPLIANCE REQUIRED	BATTERY TECHNOLOGY				OTHER BATTERY TECHNOLOGIES
	Lead-Acid	Ni-Cd and Ni-MH	Lithium-ion	Flow	
Exhaust Ventilation	Yes	Yes	No	Yes	Yes
Explosion Control	Yes	Yes	Yes	No	Yes
Safety Caps	Yes	Yes	No	No	Yes
Spill Control and Neutralization	Yes	Yes	Yes	Yes	Yes
Thermal Runaway	Yes	Yes	Yes	Yes	Yes

**507.1.1 Operation**

Commercial kitchen exhaust hood systems shall operate during the cooking operation. The hood exhaust rate shall comply with the listing of the hood or shall comply with Section 507.5. The exhaust fan serving a Type I hood shall have automatic controls that will activate the fan when any appliance that requires such Type I hood is turned on, or a means of interlock shall be provided that will prevent operation of such appliances when the exhaust fan is not turned on. Where one or more temperature or radiant energy sensors are used to activate a Type I hood exhaust fan, the fan shall activate not more than 15 minutes after the first appliance served by that hood has been turned on. A method of interlock between an exhaust hood system and appliances equipped with standing pilot burners shall not cause the pilot burners to be extinguished. A method of interlock between an exhaust hood system and cooking appliances shall not involve or depend on any component of a fire-extinguishing system. **(Ventless Type I hoods** shall have an airflow sensors which will continuously monitor air flow optimizing performance and grease removal while an interlocking system will not allow cooking appliances to function if filters are missing, clogged, or in the event of a fire).

## PART SIX - PLUMBING CODE AMENDMENTS

### SECTION 101 GENERAL

**101.1 Title.** The 2021 International Plumbing Code as amended herein is the Plumbing Code of Dallas-Fort Worth International Airport. References to the International Plumbing Code shall be construed to reference the Plumbing Code as adopted herein with its local amendments.

**Hangers:** Shall be installed with all thread rods and clevis hangers, Unistrut with pipe clamps, pipe titans or an approved equal.

#### **307.3 Penetrations of Floor/Ceiling Assemblies and Fire-Resistance-Rated Assemblies**

Penetrations of floor/ceiling assemblies and assemblies required to have a fire-resistance rating shall be protected in accordance with the *International Building Code*. PVC larger than 2" which penetrates through a 2-hour fire rated upper floor shall be equipped with 2-hour intumescent fire protection coupling

#### **606.1 Location of Full-Open Valves**

6. On the entrance to every water supply pipe to a dwelling unit stops.

#### **608.4 Potable Water Handling and Treatment Equipment**

An RPZ shall be installed prior to Water pumps, filters, softeners, tanks and other appliances and devices that handle or treat potable water to be supplied to the potable water distribution system shall be located to prevent contamination from entering the appliances and devices. Overflow, relief valve and waste discharge pipes from such appliances and devices shall terminate through an air gap.

#### **708.1 Cleanouts Required**

Cleanouts shall be provided for drainage piping in accordance with Sections 708.1.1 through 708.1.12. Cleanouts for all main building drains and branch drains below the flow, shall have cleanouts which extend above the floor and are either wall or floor cleanouts.

### **717.3 Pre-Installation Inspection**

The existing piping sections to be replaced or connected to shall be inspected internally by a recorded video camera survey. The survey shall include notations of the position of cleanouts and the depth of connections to the existing piping.

### **Post Installation Inspection**

The building drain and building sewer shall be inspected internally by a recorded video camera survey. A copy of the video will be provided to the building official prior to concrete being installed.

### **915.2.3 Connection**

The *combination waste and vent system* shall be provided with a dry vent connected at any point within the system or the system shall connect to a horizontal drain that serves vented fixtures located on the same floor. *Combination waste and vent systems* connecting to building drains receiving only the discharge from one or more stacks shall be provided with a dry vent.

The area of a vent installed in a combination waste and vent system shall be not less than one pipe size smaller than the drain pipe served. The vent connection to the combination waste and vent pipe shall extend vertically to a point not less than 6 inches (152 mm) above the flood level rim of the highest fixture being vented before offsetting horizontally. P-Traps for a **combination waste and vent system shall reduce at the main or the trap inlet, one pipe size.**

### **1003.3.1 Grease Interceptors and Automatic Grease Removal Devices Required**

A grease interceptor or automatic grease removal device shall be required to receive the drainage from fixtures and equipment with grease laden waste located in food preparation areas, such as in restaurants, hotel kitchens, hospitals, school kitchens, bars, factory cafeterias and clubs.

Additionally, floor drains which are located by trash compactors or any other piece of equipment, or devices where wash down stations are located to rinse grease laden products shall require a grease interceptor.

Fixtures and equipment shall include pot sinks, prerinse sinks; soup kettles or similar devices; work stations; floor drains or sinks into which kettles are drained; automatic hood wash units and dishwashers without prerinse sinks. Grease interceptors and automatic grease removal devices shall receive waste only from fixtures and equipment that allow fats, oils or grease to be discharged.

Where lack of space or other constraints prevent the installation or replacement of a grease interceptor, one or more grease interceptors shall be permitted to be installed on or above the floor and upstream of an existing grease interceptor.

**SECTION 103  
DEPARTMENT OF PLUMBING INSPECTION**

**103.1 General.** The department of Plumbing inspection is hereby created and the executive official in charge thereof shall be known as the building official. References to the department of plumbing inspection shall mean the Code Compliance Section of the Design, Code & Construction Department.

**SECTION 106  
PERMITS**

**106.6.2 Fee schedule.** Refer to Part Two, Building Code Amendments, Section 109 for fees.

**106.6.3 Fee refunds.** The building official is authorized to establish a refund policy.

**SECTION 108  
VIOLATIONS**

**108.4 Violation penalties.** Refer to Part One, Construction and Fire Prevention Standards Resolution, Section 27, Penal Clause.

**SECTION 109  
MEANS OF APPEAL**

Refer to Part One, Construction and Fire Prevention Standards Resolution for Board of Appeals.

**SECTION 312  
TESTS AND INSPECTIONS**

**312.10 Inspection and testing of backflow prevention assemblies.** Backflow prevention assemblies shall be inspected and tested as required by Texas Administrative Code, Title 30, Part 1, Chapter 290 Public Drinking Water.

**SECTION 404  
ACCESSIBLE PLUMBING FACILITIES**

Refer to Part Two, Building Code Amendments, Chapter 11 for accessibility standards.

**SECTION 1106**  
**SIZES OF CONDUCTORS, LEADERS, AND STORM DRAINS**

**1106.1 General.** The size of the vertical conductors and leaders, building storm drains, building storm sewers and any horizontal branches of such drains or sewers shall be based on 5 inches per hour rainfall rate.

**SECTION 1109**  
**COMBINED SANITARY AND STORM SYSTEM**

**1109** Combined sanitary and storm sewer systems shall be prohibited within the airport.

## **PART SEVEN - FUEL GAS CODE AMENDMENTS**

### **SECTION 101 GENERAL**

**101.1 Title.** The 2021 International Fuel Gas Code as amended herein is the Fuel Gas Code of Dallas-Fort Worth International Airport. References to the International Fuel Gas Code shall be construed to reference the Fuel Gas Code as adopted herein with its local amendments.

### **SECTION 103 DEPARTMENT OF INSPECTION**

**103.1 General.** The Department of Inspection is hereby created and the executive official in charge thereof shall be known as the building official. References to the department of inspection shall mean the Code Compliance Section of the Design, Code & Construction Department.

### **SECTION 106 PERMITS**

**106.5.2 Fee schedule.** Refer to Part Two, Building Code Amendments, Section 109 for fees.

**106.5.3 Fee refunds.** The building official is authorized to establish a refund policy.

### **SECTION 108 VIOLATIONS**

**108.4 Violation penalties.** Refer to Part One, Construction and Fire Prevention Standards Resolution, Section 27, Penal Clause.



## SECTION 109 MEANS OF APPEAL

Refer to Part One, Construction and Fire Prevention Standards Resolution for Board of Appeals.

### 114.1 Membership of Board

The board of appeals shall consist of up to seven members appointed by the chief appointing authority for 3 years. Thereafter, each new member shall serve until a successor has been appointed.

### 408.4 Sediment Trap

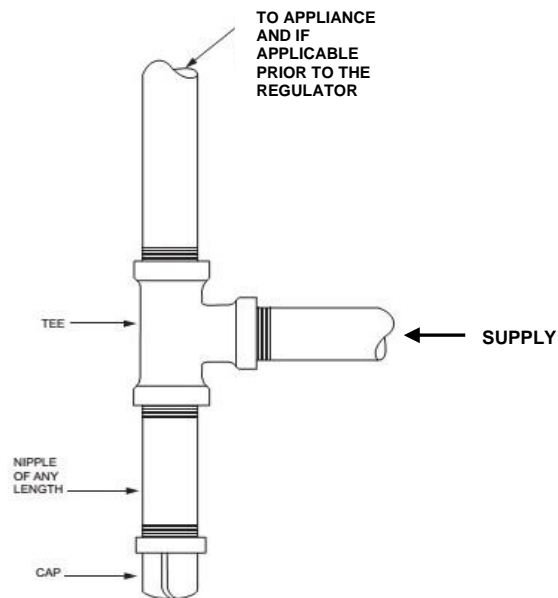


FIGURE 408.4 METHOD OF INSTALLING A TEE FITTING SEDIMENT TRAP

## **PART EIGHT - ENERGY CODE AMENDMENTS**

### **SECTION C101 SCOPE AND GENERAL REQUIREMENTS**

**C101.1 Title.** The 2021 International Energy Conservation Code as amended herein is the Energy Code of Dallas-Fort Worth International Airport. References to the International Energy Conservation Code shall be construed to reference the Energy Code as adopted herein with its local amendments.

**C101.1.1 General.** The building official is hereby authorized and directed to enforce the provisions of this code. The building official shall have the authority to render interpretations of this code and to adopt policies and procedures in order to clarify the application of its provisions. Such interpretations, policies and procedures shall be in compliance with the intent and purpose of this code.

### **SECTION C110 VIOLATION PENALTIES**

**C110&C110.1 Violation penalties.** Refer to Part One, Construction and Fire Prevention Standards Resolution, Section 27, Penal Clause.

### **SECTION 202 GENERAL DEFINITIONS**

**CODE OFFICIAL.** The building official is charged with the administration and enforcement of this code.

## **PART NINE – OIL AND GAS EXPLORATION AND PRODUCTION**

### **SECTION 1 GENERAL INFORMATION**

The Exploration, development and Production of Gas on the Airport property are activities which make necessary regulations to establish uniform limitations, safeguards and requirements for operations related to the Exploration, Drilling, developing, producing, transporting and storing of Gas and other substances produced in association with Gas within the Airport to protect the health, safety and general welfare of the public, minimize the potential impact to property, protect the quality of the environment and encourage the orderly production of available mineral, and gas resources.

### **SECTION 2 DEFINITIONS**

The following words, terms and phrases, when used in this Part, shall have the meanings ascribed to them in this section:

*Abandonment:* means “abandonment” as defined by the Commission and includes the plugging of a Well and the restoration of the area used during the Production of a Well as required by this Part.

*All-Weather Hard Surface:* means a permanent surface that as a minimum is a base course constructed such that it meets the requirements of the Fire Code, is at least twenty-two feet (22’) wide, has an overhead clearance of fourteen feet (14’), drains appropriately, remains water resistant, is free of litter, debris, weeds, grass or other objectionable materials or objects and is visibly dust free.

*API:* means the American Petroleum Institute.

*Berm:* means a mound of soil, either natural or manmade, used to obstruct a view. The side slope shall not exceed a three-foot (3’) horizontal and a one foot (1’) vertical slope.

*Blowout Preventer:* means a mechanical, hydraulic, pneumatic or other device or combination of such devices, including valves, fittings and control mechanisms connected therewith, which can be closed around the drill pipe, or other tubular goods which completely close the top of the casing and are designed for preventing blowouts.

*Brackish Water:* means flow back water used in the fracturing and re-fracturing process and other waste liquids produced in association with the production, treatment, processing or transportation of hydrocarbons.

*Building:* means any structure used or intended for supporting or sheltering any use or occupancy. Buildings with an occupant load of 3 or fewer in accordance with Table 1004.1.1 of the Building Code are not subject to the setback requirements of this Part.

*Building Code:* as defined in Part Two.

*Building Official:* as defined in Section 5, Part 1.

*Closed Loop System:* means a system utilized while drilling so that the reserve pits are not used, and instead steel bins are used to collect all drilling waste.

*Commission:* means the Texas Railroad Commission and all state rules.

*Completion:* means the earlier of the date the work is completed for the Drilling, re-drilling or reworking of a Well and the crew involved in such activities is released or the date the rig is released.

*Compliant well:* means a well that is actively producing, actively used for injection or disposal, or has a valid Statewide Rule 14(b)(2) plugging extension.

*Derrick:* means any portable framework, tower, mast and/or structure, which is required or used in connection with Drilling or re-working a Well for the production of Gas.

*Disposal Well:* means a well drilled for the purpose of disposing of Brackish Water.

*Drilling:* means digging or boring a new Well for the purpose of exploring for, developing or producing Gas or for the purpose of injecting Gas, water or any other fluid or substance into the earth.

*Drill Site:* means the immediate area used during the Drilling, re-drilling or re-working of a Well.

*Electrical Code:* as defined in Part Four.

*Emergency Response Plan:* means a plan put in place to deal with emergency situations that may occur at the Drill Site and/or the Operation Site.

*Energy Code:* as defined in Part Eight.

*Exploration:* means geologic or geophysical activities, including seismic surveys, related to the search for Gas or other subsurface hydrocarbons.

*FEMA:* means the Federal Emergency Management Agency.

*FIRM:* means the Flood Insurance Rate Map.

*Fire Chief:* as defined in Section 5, Part 1

*Fire Code:* as defined in Part Three.

*Fire Department:* means the Fire Department of the Airport.

*Frack Tank:* means an enclosed steel tank used to hold Brackish Water.

*Fracturing:* means the injecting of a substance into a Well or formation so as to cause underground channels in hydro-carbon-bearing formations to open.

*Fresh Water Fracking Pit:* means a pond open to the atmosphere, used to hold fresh water for Fracturing.

*Fuel Gas Code:* as defined in Part Seven.

*Gas:* means any fluid, either combustible or noncombustible, which is produced in a natural state from the earth, and which maintains a gaseous or rarefied state at standard temperature and pressure conditions and/or the gaseous components or vapors occurring in or derived from petroleum or Gas.

*Gas Well:* means any Well drilled, to be drilled, or used for the intended or actual production of natural gas.

*Inactive well:* means a well that is compliant or noncompliant well that is not actively producing, injecting, or disposing.

*Mechanical Code:* as defined in Part Five.

*Non-compliant well:* means a well that has been shut-in for a period in excess of twelve (12) months, has not been plugged, and does not have a valid Statewide Rule 14(b)(2) extension.

*Oil:* means crude petroleum oil and other hydrocarbons regardless of gravity which are produced at the wellhead in liquid form and the liquid hydrocarbons known as distillate or condensate recovered or extracted from Gas, other than gas produced in association with oil and commonly known as casing head gas.

*Oil Well:* means any Well drilled, to be drilled, or used for the intended or actual production of Oil.

*Operation Site:* means the area used for development and production and all operational activities associated with Gas after Drilling activities are complete.

*Operator:* means, for each Well, the person listed on the Commission's Form W-1 or Form P-4 for a Gas Well or Oil Well that is, or will be actually in charge and in control of

Drilling, maintaining, operating, pumping, or controlling any Well, including, without limitation, a unit operator.

*Permit*: means any written license granted by the Airport authorizing the Operator to undertake activity on the Airport.

*Plumbing Code*: as defined in Part Six.

*Production*: means the period between Completion of Drilling and the Abandonment of the Well.

*Re-Drill* means the Drilling of a new Well located in essentially the same place as an earlier Well or the re-completion of an existing well by deepening or sidetrack operations extending more than one hundred fifty feet (150') from the existing Well bore.

*Re-working* means re-completion or re-entry of an existing well within the existing bore hole or by deepening or sidetrack operations which do not extend more than one hundred fifty feet (150') from the existing well bore, or replacement of well liners or casings.

**Statewide Rule 14(b) (2) extension**: A Texas Railroad Commission administratively granted extension of one year to plug a well, if: the well is in compliance with all other laws and Railroad Commission rules; the well and associated facilities are not a pollution hazard; the operator's report is current and active; and the operator has, and upon request, provides evidence of a good faith claim to operate the well.

*Street*: means any street, highway, sidewalk, alley, or avenue that is open to public use or is in support of Airport operations.

*SWPPP*: means storm water pollution prevention plan.

*TCEQ*: means the Texas Commission on Environmental Quality.

*USEPA*: means the United States Environmental Protection Agency.

*Well*: means any single hole or bore to any horizon, formation, or strata, for the purpose of producing Gas and/or Oil from the Airport.

### **SECTION 3 AIRPORT OVERSIGHT**

The Building Official is charged with the administration and enforcement of this part. The Building Official and the Fire Chief shall have the authority to enter and inspect any Drill Site or Operation Site to determine compliance with this Resolution and all applicable laws, rules, regulations, standards, or directives adopted by the Airport Board

or State. Failure of any person to permit access to the Building Official or Fire Chief shall constitute a violation of this Resolution. Additionally, the Building Official or Fire Chief and other Airport officials shall have the authority to issue any orders or directives required to implement the intent and purpose of this Resolution and its provisions. The Building Official or Fire Chief shall have the authority to request and receive any records, including any records sent to the Commission, logs, reports, and the like, relating to the status or condition of any Well necessary to establish and determine compliance with a Permit. Failure of any person to provide any such requested material shall be deemed a violation of this Resolution.

#### **SECTION 4 OPERATOR'S AGENT**

Every Operator shall designate an agent, who is a resident of the State of Texas, upon whom all orders and notices provided in this Resolution may be served in person or by registered or certified mail. Every Operator designating such agent shall within ten (10) days notify the Building Official in writing of any change in such agent or such mailing address unless operations within the Airport are discontinued. Failure to do so shall be deemed a violation of this Resolution.

#### **SECTION 5 SEISMIC SURVEY PERMIT REQUIREMENTS**

A Permit shall be required for all geophysical tests, including but not limited to seismic surveys. All applications for a Permit to conduct geophysical tests, including but not limited to seismic surveys, shall be submitted to the Building Official for approval. No geophysical tests shall begin prior to the issuance of a Permit from the Airport Board. A Permit application shall include, but is not limited to, the following information:

- (a) Operator/applicant name, phone number, fax number, physical address, and e-mail address.
- (b) Detailed mapping of location and extent of the proposed geophysical test.
- (c) Detailed explanation of the survey or testing method to be used.
- (d) Frequency and strength of all radio frequency (RF) signals.
- (e) Under no circumstances may explosively charges, including, but not limited to, the use of dynamite, be used in any way related to the preparation for and/or conducting of a geophysical test.

**SECTION 6**  
**GAS WELL AND DISPOSAL WELL PERMIT REQUIREMENTS**

- (a) No person acting either for himself or acting as an agent, employee, independent contractor, or servant of any person shall drill any Well or Disposal Well, assist in any way in the site preparation, re-working, Fracturing or operation of any Well or Disposal Well or to conduct any activity related to the production of Gas without first obtaining a Permit issued by the Building Official in accordance with this Resolution. Such activities include, but are not limited to, initial site preparation, re-working, Drilling, operations, construction of rigs, Fresh Water Fracking Pit, or tank batteries, Fracturing and pressurizing.
- (b) The Operator must apply for and obtain a Permit for the Drilling of each Well or Disposal Well. The Operator shall neither apply for nor obtain a “blanket” Permit for more than one (1) well. A Disposal Well permit will only be issued for disposal of Brackish Water from oil and gas exploration and production, treatment, or transportation of hydrocarbons within the boundaries of Dallas/Fort Worth International Airport property. All Disposal Wells must deposit Brackish Water into the Ellenberger formation. Each new Well or Disposal Well established at the ground surface will be considered a new Well or Disposal Well as applicable.
- (c) An existing Permit shall not constitute authority for the re-entering and Drilling of a Well the subject of Abandonment. An Operator shall obtain a new Permit in accordance with the provisions of this Resolution if the Operator is re-entering and Drilling an abandoned Well.
- (d) When a Permit has been issued to the Operator for the Drilling, re-entering, activating, or converting of a Well, such Permit shall constitute sufficient authority for Drilling, operation, production gathering or production maintenance, repair, re-working, testing, plugging and Abandonment of the Well and/or any other activity associated with mineral exploration at an Operation Site. An amended Permit shall be obtained before such Well may be modified for purposes of re- drilling, deepening, or converting such Well to a depth or use other than that set forth in the then-current Permit for such Well.
- (e) Any person who intends to re-work a Well using a Drilling rig or to engage in Fracturing a Well after initial Completion shall give written notice to, and receive written approval from, the Building Official. The notice must identify where the activities will be conducted and must describe the activities in detail, including, but not limited to the duration of the activities and the time the activities will be conducted. The notice must also provide the address and twenty-four (24) hour telephone number of the person conducting the activities.
- (f) A Permit shall automatically terminate, unless extended, if Drilling is not commenced within one year from the date of the issuance of the Permit. A Permit may be extended by the Building Official upon written request by the



Operator and proof that the regulatory standards of the requested Permit for such location have not changed.

- (g) Permits required by this Resolution are in addition to and are not in lieu of any permit, which may be required by any other governmental agency.
- (h) No Permit shall be issued for any Well to be drilled within the floodway identified by FEMA on the most current FIRM. Wells proposed in the floodplain outside of the floodway shall comply with the requirements of the Building Official.
- (i) No Permit shall be issued for any Well to be drilled that is not in compliance with this Resolution.
- (j) By acceptance of any Permit issued pursuant to this Resolution, the Operator expressly stipulates and agrees to be bound by and comply with the provisions of this Resolution. The terms of this Resolution shall be deemed to be incorporated in any Permit issued pursuant to this Resolution with the same force and effect as if this Resolution was set forth verbatim in such Permit.
- (k) Operator must provide to the Building Official, a copy of all H-5 and mechanical integrity tests required by the Commission.
- (l) All wells located at DFW Airport must be compliant with Texas Railroad Commission rules. Wells that have not been in operation for a year must be plugged and abandoned in accordance with Railroad Commission Statewide Rule 14(b) (2). This rule requires that plugging operations on each inactive well commence within one year after operations have ceased. Prior to abandonment, wells must be plugged consistent with Railroad Commission rules, with cement in a manner that will not allow movement of fluids into or between Underground Sources of Drinking Water (USDWs).

## **SECTION 7 PERMIT APPLICATION**

- (a) Every application for a Permit issued pursuant to this Resolution shall be on forms required by the Building Official, shall include payment of the construction permit and plan review fees and shall be signed by the Operator, or some person duly authorized to sign on his behalf, and filed with the Building Official. The application shall include the following information:
  - (1) The date of the application and type of Permit requested.
  - (2) Map showing proposed transportation route and road(s) for equipment, chemicals or waste products used or produced under the Permit.
  - (3) Proposed Well name and Well depth.

- (4) Name, telephone number, fax number, physical address of individual designated to receive notice, and, if possible, e-mail address.
- (5) Names and addresses of representatives or Operator's agent with supervisory authority over the Drill Site or Operation Site and a twenty-four (24) hour telephone number.
- (6) Location and description of all improvements and structures within eight hundred feet (800') of the Well. Such locations and descriptions shall be prepared by a Registered Professional Land Surveyor.
- (7) A site plan of the proposed Drill Site and Operation Site showing the location of all improvements and equipment, including the location of the proposed Well and other facilities including, but not limited to, Fresh Water Fracking Pit, Disposal Well, tanks, pipelines, compressors, separators and storage tanks or storage sheds. All site plans must include the following criteria:
  - a. Location of proposed Buildings and structures indicating sizes in square feet.
  - b. The location and intensity of exterior lighting fixtures.
  - c. The location of mechanical equipment.
  - d. Outside storage areas.
  - e. Curb cut locations.
  - f. Parking, loading, and maneuvering areas.
  - g. The location, materials and dimensions of screening improvements as required.
  - h. Waste disposal locations.
  - i. Streets immediately adjacent to the Operation Site.
  - j. Drill Site and Operation Site plans shall be submitted on a sheet size of 24" x 36" minimum, or as approved by the Building Official.
  - k. Airport boundaries where applicable.
  - l. Date the drawing was prepared with name, address, and phone number of preparer.

- m. North arrow, at a maximum scale of 1:50 immediately adjacent to the Drill Site or Operation Site.
  - n. Title Block identifying the Drill Site or Operation Site location.
  - o. Vicinity location map at 1" = 2000'.
  - p. Location of 100-year flood limits where applicable.
  - q. Texas NAD83 State Plane Coordinates for all four corners.
- (8) Copy of all reports and permits required by the Commission, specifically including a copy of the approved Commission Form W-1, H-5 and/or P-4.
  - (9) A description of public utilities required during Drilling and Production.
  - (10) A description of the water source to be used during Drilling.
  - (11) A copy of the Erosion Control Plan as required by the Airport Board.
  - (12) A copy of the determination by the TCEQ of the depth of useable quality ground water.
  - (13) A copy of the TCEQ permit.
  - (14) A statement, under oath, signed by the Operator or designated representative, that the information submitted with the application is, to the best knowledge and belief of the Operator or designated representative, true and correct.
  - (15) Three copies of a Hazardous Material Management Plan and additionally, all material safety data sheets for all hazardous materials that will be located, stored, transported and/or temporarily used on the Drill Site shall be provided to the Building Official.
  - (16) Three copies of the Hazardous Materials Inventory Statement.
  - (17) Operator shall submit to the Building Official, for review and approval, an Emergency Response Plan establishing written procedures to minimize any hazard resulting from Drilling, Completion or producing of a Gas Well. Said plan shall use existing guidelines established by the Commission, TCEQ, Texas Department of Transportation, the Fire Code and/or the USEPA. A copy of the Emergency Response Plan shall be kept on site.
  - (18) A map showing the location of all underground transmission pipelines.

**SECTION 8  
PERMITTING PROCEDURE**

- (a) All Well Permit applications will be filed through the Building Official.
- (b) It is the responsibility of the Building Official to review and approve or disapprove all applications for Permits based on the criteria established by this Resolution.
- (c) After the filing of a completed application, payment of permit and plan review fees and remittance of all insurance and security per the requirements of this Resolution for a Permit, the Building Official will determine whether the Permit application shall be approved or denied.
- (d) The provisions of this Resolution shall apply to any application for a Permit that is filed with the Building Official.
- (e) If all the requirements of this Resolution are met, the Building Official shall issue a Permit for the activity for which the Permit application was made.
- (f) If the Building Official denies a Permit application, the Building Official shall notify the Operator in writing of such denial stating the reasons for the denial. The Operator may cure those conditions that caused the denial and resubmit the application to the Building Official for approval and issuance of the Permit.

**SECTION 9  
AMENDED GAS WELL PERMITS**

- (a) An amended Permit may be issued for, but not limited to, the following changes in Drill Site or Operation Site activities:
  - (1) Re-drilling.
  - (2) Deepening beyond one hundred fifty feet (150') of the permitted depth.
  - (3) Site access; and
  - (4) Locations and/or quantities of equipment as determined by the Building Official.
- (b) Applications for amended Permits shall be in writing, shall be signed by the Operator, and shall include the following:
  - (1) A description of the proposed amendments.

- (2) Any changes to the information submitted with the application for the existing Permit (if such information has not previously been provided to the Airport Board).
  - (3) Such additional information as is reasonably required by the Building Official to demonstrate compliance with the Permit.
  - (4) Such additional information as is reasonably required by the Building Official to prevent imminent destruction of property or injury to persons; and
  - (5) An amended site plan and plat indicating the new bottom-hole location.
- (c) All applications for amended Permits shall be filed with the Building Official for review. Incomplete applications may be returned to the applicant, in which case the Building Official shall provide a written explanation of the deficiencies.
- (d) If the activities proposed by the amendment are not materially different from the activities covered by the existing Permit then the Building Official shall approve or disapprove the amendment after the application is filed.
- (e) If the activities proposed by the amendment are materially different from the activities covered by the existing Permit, and do not create a risk of destruction of property or injury to persons, then the Building Official shall approve or disapprove the amendment. If, however, the activities proposed by the amendment are materially different and, in the judgment of the Building Official might create a risk of destruction of property or injury to persons that were not associated with the activities covered by the existing Permit or that were not otherwise taken into consideration by the existing Permit, the Building Official may require the amendment to be processed as a new Permit application.

## **SECTION 10 SUSPENSION OR REVOCATION OF WELL PERMITS**

- (a) If an Operator (or its officers, employees, agents, contractors, or representatives) fails to comply with any requirement of a Permit (including any requirement incorporated by reference as part of the Permit), the Airport Board shall give written notice to the Operator specifying the nature of the failure and giving the Operator a reasonable time to cure, taking into consideration the nature and extent of the failure, the extent of the efforts required to cure, and the potential impact on the health, safety, and welfare of the public. In no event, however, shall the cure period be less than ten (10) days unless the failure presents a risk of imminent danger to property or injury to persons or unless the failure involves the Operator's failure to provide periodic reports as required by this Resolution.
- (b) If the Operator fails to correct the noncompliance, the Airport Board may suspend or revoke the Permit pursuant to the provisions of this Resolution.

- (c) No person shall carry on any operations performed under the terms of a Permit issued under this Resolution during any period of any suspension or revocation of the Permit or pending a review of the decision or order of the Airport Board in suspending or revoking the Permit. Nothing contained herein shall be construed to prevent the necessary, diligent, and bona fide efforts to cure and remedy the default or violation for which the suspension or revocation of the Permit was ordered for the safety of persons or as required by the Building Official or the Fire Chief.
- (d) If the Operator does not cure the noncompliance within the time specified in this Resolution, the Airport Board, upon written notice to the Operator, may notify the Commission and request that the Commission take any appropriate action.

### **SECTION 11 PERIODIC REPORTS**

- (a) The Operator shall notify the Building Official of any changes to the following information within ten (10) days after the change occurs:
  - (1) The name, physical address, telephone number, and fax number of the Operator.
  - (2) The name, address, and telephone number of the person designated to receive notices from the Airport Board (which person must be a resident of Texas that can be served in person or by registered or certified mail); and
  - (3) The Operator's emergency action response plan (including "drive-to-maps" from rights-of-way to each Drill Site or Operation Site).
- (b) The Operator shall notify in writing the Building Official of any change to the name, address, and twenty-four (24) hour phone number of the person(s) with supervisory authority over Drilling or operations activities within one (1) business day.
- (c) The Operator shall provide a copy of any "incident reports" or written complaints submitted to the Commission and a copy to the Airport Board within thirty (30) days after the Operator has notice of the existence of such reports or complaints.
- (d) Beginning on December 31<sup>st</sup> after each Well is completed and continuing on each December 31<sup>st</sup> thereafter until the Operator notifies the Building Official that there has been an Abandonment of the Well and the Operation Site is restored, the Operator shall submit a written report to the Building Official identifying any changes to the information that was included in the application for the applicable Permit that have not been previously reported to the Building Official.

**SECTION 12**  
**BOND, LETTERS OF CREDIT, INDEMNITY INSURANCE**

- (a) *General requirements.* The Operator shall be required to:
- (1) Comply with the terms and conditions of this Resolution and the Permit issued hereunder.
  - (2) Promptly clear each Drill Site and Operation Site of all litter, trash, waste, and other substances used, allowed, or occurring in the operations, and after Abandonment or Completion grade, level and restore such property to the same surface conditions as nearly as possible as existed before operations as determined by the Building Official.
  - (3) Promptly pay all fines, penalties and other assessments imposed due to breach of any terms of the Permit.
  - (4) Promptly restore to its former condition any property damaged by the Operator.
- (b) *Bond, irrevocable letter of credit.* Prior to the issuance of a Permit the Operator shall provide the Building Official with a security instrument in the form of a bond or an irrevocable letter of credit as follows:
- (1) **Bond.** A bond shall be executed by a reliable bonding or insurance institution authorized to do business in Texas, acceptable to the Airport Board. The bond shall become effective on or before the date the Permit is issued and shall remain in force and effect for at least a period of six (6) months after the expiration of the Permit term or until there has been an Abandonment of the Well and the Operation Site is restored, whichever occurs last. The Operator shall be listed as principal and the instrument shall run to the Airport Board, as obligee, and shall be conditioned that the Operator will comply with the terms and regulations of this Resolution and all other laws and regulations. The original bond shall be submitted to the Building Official.
  - (2) **Letter of Credit.** A letter of credit shall be issued by a reliable bank authorized to do business in Texas and shall become effective on or before the date the Permit is issued. The letter of credit shall remain in force and effect for at least a period of six (6) months after the expiration of the Permit term or until there has been an Abandonment of the Well and the Drill Site or Operation Site is restored, whichever occurs last. The Airport Board shall be authorized to draw upon such letter of credit to recover any fines, penalties or costs to remedy assessed under this Resolution. Evidence of the execution of a letter of credit shall be submitted to the Building Official by submitting an original signed letter of credit from the banking institution.

- (3) The principal amount of any security instrument shall be fifty thousand dollars (\$50,000) for any single well. After Completion of a Well, the Operator may submit a request to the Building Official to reduce the existing bond to ten thousand dollars (\$10,000) for the remainder of the time the Well produces without reworking. During reworking operations, the amount of the bond or letter of credit shall be maintained at fifty thousand dollars (\$50,000). If at any time after no less than a fifteen (15) day written notice to the Operator, the Airport Board shall deem any Operator's bond or letter of credit to be insufficient, it may require the Operator to increase the amount of the bond or letter of credit up to a maximum of two hundred fifty thousand dollars (\$250,000) per Well.
- (4) Whenever the Building Official finds that a default has occurred in the performance of any requirement or condition imposed by this Resolution, a written notice shall be given to the Operator. Such notice shall specify the work to be done, the estimated cost and the period of time deemed by the Building Official to be reasonably necessary for the completion of such work. After receipt of such notice, the Operator shall, within the time therein specified, either cause or require the work to be performed, or failing to do so, shall pay over to the Airport Board one hundred twenty-five percent (125%) of the estimated cost of doing the work as set forth in the notice. In no event, however, shall the cure period be less than thirty (30) days unless the failure presents a risk of imminent destruction of property or injury to persons or unless the failure involves the Operator's failure to provide periodic reports as required by this Resolution. The Airport Board shall be authorized to draw against any irrevocable letter of credit or bond to recover such amount due from the Operator. Upon receipt of such monies, the Airport Board shall proceed by such mode as deemed convenient to cause the required work to be performed and completed, but no liability shall be incurred other than for the expenditure of said sum in hand. In the event there has not been a proper Abandonment of the Well under the regulations of the Commission, such additional money may be demanded from the Operator as is necessary to properly plug and abandon the Well and restore the Drill Site or Operation Site in conformity with the regulations of this Resolution.
- (5) In the event the Operator does not cause the work to be performed and fails or refuses to pay over to the Airport Board the estimated cost of the work to be done as set forth in the notice, or the issuer of the security instrument refuses to honor any draft by the Airport Board against the applicable irrevocable letter of credit or bond, the Airport Board may proceed to obtain compliance and abate the default by way of civil action against the Operator, or by criminal action against the Operator, or by both such methods.



- (6) When there has been a proper Abandonment of the Well or Wells covered by said irrevocable letters of credit or bond in conformity with all regulations of this Resolution, and in conformity with all regulations of the Commission and notice to that effect has been received by the Airport Board, or upon receipt of a satisfactory substitute, the irrevocable letter of credit or bond issued in compliance with these regulations shall be terminated and cancelled.
- (c) *Insurance.* The Operator must at all times maintain the specific coverages listed below.
- (1) Environmental pollution liability coverage. Operator shall purchase and maintain in force for the duration of the Permit, insurance for environmental pollution liability applicable to bodily injury; property damage, including loss of use of damaged property or of property that has not been physically injured or destroyed; cleanup costs; and defense, including costs and expenses incurred in the investigation, defense, or settlement of claims; all in connection with any loss arising from the insured site. Coverage shall be maintained in an amount of at least one million dollars (\$1,000,000) per loss, with an annual aggregate of at least ten million dollars (\$10,000,000).
- a. Coverage shall apply to sudden and accidental pollution conditions resulting from the escape or release of smoke, vapors, fumes, acids, alkalis, toxic chemicals, liquids or gases, waste material or other irritants, contaminants, or pollutants.
- b. The Operator shall maintain continuous coverage and shall purchase extended coverage period insurance when necessary. The extended coverage period insurance must provide that any retroactive date applicable to coverage under the policy precedes the effective date of the issuance of the Permit by the Building Official.
- (2) Control of Well. The policy should cover the cost of controlling a Well that is out of control, re-drilling or restoration expenses, seepage, and pollution damage as first party recovery for the Operator and related expenses, including, but not limited to, loss of equipment, experts, and evacuation of residents, in the amount of five million dollars (\$5,000,000) per occurrence/no aggregate, if available, otherwise an aggregate of ten million dollars (\$10,000,000). Five hundred thousand dollars (\$500,000) sub-limit endorsement may be added for damage to property for which the Operator has care, custody, and control.

## **SECTION 13 SETBACK REQUIREMENTS**

The following are minimum setbacks.

- (a) It shall be unlawful to drill, re-drill, deepen, re-enter, activate or convert any Well or Disposal Well, the center of which, at the surface of the ground, is located:
  - (1) Within six hundred feet (600') from any Building; or
  - (2) Within one hundred feet (100') from any Building accessory to, but not necessary to the operation of the well; or
  - (3) Within seventy-five feet (75') of any existing or planned right of way for street, highway, or rail; or
  - (4) Within two hundred feet (200') of any existing potable water well.
- (b) Tank batteries, separators and compressors and their associated vents and flares shall be located at least three hundred feet (300') from any Street or Building not used in operations on the Drill Site or Operations Site, nor less than five hundred feet (500') from any flammable bulk storage facility.
- (c) Fresh Water Fracking Pits shall be located at least one hundred feet (100') from any Street or Building.
- (d) The measurement of all distances shall be calculated from the proposed Well bore, Disposal Well bore, tank battery, separator, compressor, or Fresh Water Fracking Pit in a straight line, without regard to intervening structures or objects to the closest exterior point of the object listed in items (a) through (c) above. The above calculations shall be prepared by a Registered Professional Land Surveyor.
- (e) As to any public park, residence, religious institution, hospital building, school or other public building that is outside the boundaries of the Airport, the distances set out in subsections (a) through (c) of this section may not be reduced without both of the following:
  - (1) Written notarized waivers granted by all the surface owners must be filed, at the expense of the Operator, in the applicable county records. All waivers must identify the property address, block and lot number, subdivision name and plat volume and page number.
  - (2) With an approved variance obtained in accordance with procedures outlined under Section 20 of this Part.

- (f) As to any Building that is within the boundaries of the Airport, the distances set out in subsections (a) through (c) of this section may be reduced with an approved variance in accordance with procedures outlined under Section 20 of this Part but may not be reduced to less than that permitted by the Fire Code.

## **SECTION 14 ON SITE AND TECHNICAL REGULATIONS**

- (a) Abandoned Wells. All Wells shall be plugged and abandoned in accordance with the rules of the Commission; however, all Well casings shall be cut and removed to a depth of at least three feet (3') below the surface. No Building shall be built over an abandoned well. A well marker, with the well number displayed on it, must be welded to the top of the cut off well pipe.
- (b) Blowout prevention. In all cases, blowout prevention equipment shall be used on all wells being drilled, worked over or in which tubing is being changed. Protection shall be provided to prevent blowout during petroleum or gas operations as required by and in conformance with the requirements of the Commission and the recommendations of the American Petroleum Institute. The Operator must equip all Drilling Wells with adequate blowout preventers, flow lines and valves commensurate with the working pressures involved as required by the Commission.

The ram-type blowout preventers, valves, and manifolds shall be pressure tested as follows:

- 1.) at the time of installation,
- 2.) whenever any seal subject to test pressure is broken,
- 3.) following related repairs and
- 4.) at 30-day intervals thereafter.

A period of more than thirty (30) days between blowout preventer tests may be allowed, with the Building Official's approval, when well operations prevent testing, provided the tests will be conducted as soon as possible before normal operations resume. The record of communications with the Building Official shall be entered in the driller's log.

During drilling and completion operations, the ram-type blowout preventers shall be tested by closing at least once each trip, and the annular-type preventer shall be tested by closing on drill pipe once each week. All of the above-described tests and/or drills shall be recorded in the drilling log and made available to the Building Official upon request.

- (c) Hazardous materials storage. All chemicals and/or hazardous materials shall be stored in such a manner as to prevent, contain, and facilitate rapid remediation and cleanup of any accidental spill, leak, or discharge of a

hazardous material. Operator shall have all material safety data sheets for all hazardous materials on site. All applicable federal and state regulatory requirements for the proper labeling of containers shall be followed. All hazardous materials and/or special hazards at the Well sites shall be protected in accordance with National Fire Protection Association standards, and the Fire Code. Appropriate pollution prevention actions shall be required and include, but are not limited to, chemical and materials raised from the ground (e.g., wooden pallets), bulk storage, installation and maintenance of secondary containment systems, and protection from storm water and weather elements.

- (d) The following requirements shall apply to all Fracturing operations performed on a Well:
  - (1) A watchperson shall be required at all times during such operations; and
  - (2) At no time shall the Well be allowed to flow or vent directly to the atmosphere without first directing the flow through separation equipment or into a portable tank.
- (e) Compliance. Operator shall comply at all times with all applicable federal, state and Airport Board requirements. In the event of any conflicts between the provisions of this Resolution, and the Commission rules and regulations, the more restrictive provision shall apply. Whenever necessary to protect health, safety, or welfare, the Building Official or the Fire Chief may direct any Operator to locate, relocate, remove, or replace any Well surface facilities located within a particular Operation Site.
- (f) Discharge. No person shall place, deposit, discharge, or cause or permit to be placed, deposited, or discharged, any oil, naphtha, petroleum, asphalt, tar, hydrocarbon substances or any refuse including wastewater or brine from any gas operation, or the contents of any container used in connection with any gas operation in, into, or upon any Streets, lots, storm drain, ditch or sewer, sanitary drain or any body of water or any property of the Airport.
- (g) Drill stem testing. All open hole formation or drill stem testing shall be done during daylight hours, with adequate advance notification thereof to the Building Official to enable him to be present during such testing. Drill stem tests may be conducted only if the Well effluent during the test is produced through an adequate gas separator to storage tanks and the effluent remaining in the drill pipe at the time the tool is closed is flushed to the surface by circulating drilling fluid down the annulus and up the drill pipe.
- (h) Drip pans and other containment devices. All materials on location (liquids, semi-liquids, and solids) and any tanks, containers, pumps, lubricating systems, engines, fuel and chemical storage tanks or systems containing such materials shall be provided with drips pans or other containment devices appropriate to

the risks and hazards that those materials pose to workers, the public and the environment.

- (i) Dust, vibration, odors. All Drilling and production operations shall be conducted in such a manner as to minimize, so far as practicable, dust, vibration, or noxious odors, and shall be in accordance with the best accepted practices incident to Drilling for the production of Gas and other hydrocarbon substances. All equipment used shall be so constructed and operated so that, vibrations, dust, odor or other harmful or annoying substances or effect will be minimized by the operations carried on at any Drilling or production site or from anything incident thereto; nor shall the site or structures thereon be permitted to become dilapidated, unsightly, or unsafe. Proven technological improvements as identified by the Building Official in industry standards of Drilling and production in this area may be adopted as they become available if capable of reducing dust, vibration, and odor.
- (j) Electric lines. All electric lines to production facilities shall be located in a manner compatible to those already installed in the surrounding area.
- (k) Emergency Response Plan. Prior to the commencement of any Gas or other hydrocarbons site activities, Operator shall submit to the Building Official an Emergency Response Plan establishing written procedures to minimize any hazard resulting from Drilling, Completion or producing of a Gas Well. Said plan shall use existing guidelines established by the Commission, TCEQ, Texas Department of Transportation and/or the USEPA. The Emergency Response Plan shall be kept current with any additions, modifications, and/or amendments concerning all construction-related activities, natural gas operations and, and/or natural gas production. Those updates to the Plan which might materially impact the needs or actions of first responders or the DFW Airport Emergency Management Plan shall be submitted to the approved distribution list as soon as practical. A copy of the Emergency Response Plan shall be kept on site.
- (l) Explosives. Use of explosives within Airport property shall require an Operational Permit issued by the DFW Department of Public Safety Fire Prevention Office. Each use of explosives will be limited to down-hole activities during a single period of time, individual locations and use for jet perforation of wells or other technical applications such as pipe recovery, as described to and approved by the DFW DPS Fire Prevention Office prior to use..
- (m) Fire prevention; sources of ignition. Firefighting apparatus and supplies as approved by the Fire Department and required by any applicable federal, state, local law, or the Fire Code shall be provided by the Operator, at the Operator's cost, and shall be maintained on the Drill Site at all times. The Operator shall be responsible for the maintenance and upkeep of such equipment. At a minimum, the Operator shall provide at each Drill Site at least four portable fires

extinguishers, the size, rating, distribution, and maintenance of which shall be in accordance with the National Fire Protection Association Standard #10 and Standard #30. The Fire Department may require more fire extinguishers based on an evaluation of the hazards at the individual sites. Each Well shall be equipped with an automated valve that closes the Well in the event of an abnormal change in operating pressure. All wellheads shall contain an emergency shut off valve to the well distribution line. Lightning protection equipment shall be installed as required at every site in accordance with the National Fire Protection Association Standard 780. Tank battery facilities shall be equipped with a remote foam line and a lightning arrestor system.

- (n) Gas emission or burning restricted. No person shall allow, cause, or permit Gas to be vented into the atmosphere or to be burned by open flame except as provided by law or as permitted by the Commission.
- (o) Grass, weeds, trash. Each Drill Site and Operation Site shall be kept clear of high grass, weeds, and combustible trash.
- (p) Lights. No person shall permit any lights located on any Drill Site or Operation Site to be directed in such a manner so that they shine directly on Streets or Buildings. To the extent practicable, and taking into account safety considerations, Drill Site and Operation Site lighting shall be directed downward and shielded so as to both prevent direct illumination of and minimize glare on Streets and Buildings within six hundred feet (600').
- (q) Muffling exhaust. Exhaust from any internal combustion engine, stationary or mounted on wheels, used in connection with the Drilling or for use on any production equipment shall not be discharged into the open air unless it is equipped with an exhaust muffler, or mufflers or an exhaust muffler box constructed of noncombustible materials sufficient to suppress noise and prevent the escape of noxious gases, fumes or ignited carbon or soot. All Fracturing operations shall be conducted during daylight hours unless the Operator has notified the Building Official that Fracturing will occur before or after daylight hours, and the Building Official has approved of such procedures.
- (r) Organic solvents. Organic solvents, such as trichloroethylene and carbon tetrachloride, shall not be used for cleaning any element, structure, or component of the Derrick, drilling rig, platform, and/or associated equipment, tools, or pipes. To the maximum extent practicable, high flash point mineral spirits shall be used.
- (s) Pipe dope for thread protection. Lead-free pipe dope shall be substituted for API specified pipe dope.
- (t) Pits. All Drilling and Wells drilled shall utilize a Closed Loop System. Fresh Water Fracking Pits must be netted at all times to exclude access by waterfowl.

- (u) Private roads and Drill Sites. Prior to the commencement of any Drilling, all roads used for access to the Drill Site and the Operation Site itself shall be at least twenty-two feet (22') wide, have an overhead clearance of fourteen feet (14') and shall be an All-Weather Hard Surface and maintained in accordance with the Fire Code, and to be non-erodible. In particular cases these requirements governing surfacing of roads may be altered at the discretion of the Fire Chief after consideration of all circumstances including, but not limited to, the following: distances from Streets and Buildings; topographical features; nature of the soil; and exposure to wind. All access roads must be kept clean and unobstructed at all times.
- (v) Signs (Refer to Part 2 for sign permitting requirements).
  - (1) A sign shall be immediately and prominently displayed at the gate on the temporary and permanent site fencing erected pursuant to this Resolution. Such sign shall be of durable material, maintained in good condition and, unless otherwise required by the Commission, shall have a surface area of not less than sixteen (16) square feet with contrasting lettering not less than four inches (4") tall and shall be lettered with the following:
    - a. Location Name and Pad Name.
    - b. Name of Operator.
    - c. The emergency 911 number; and
    - d. 24 Hour telephone numbers of two (2) persons responsible for the Well who may be contacted in case of emergency.
  - (2) Permanent weatherproof signs reading "DANGER NO SMOKING ALLOWED" in both English and Spanish shall be posted immediately upon Completion at the Operation Site fencing at the entrance of each Operation Site and tank battery or in any other location approved or designated by the Fire Department. Sign lettering shall be four inches (4") in height and shall be red on a white background or white on a red background. Well and lease designation signage shall be posted in those locations and sizes as required by the Commission in Rule 3.3 Identification of Properties, Wells, and Tanks.
- (w) Storage of equipment. On-site storage is prohibited on the Operation Site. No equipment shall be stored on the Drill Site or Operation Site unless it is necessary to the everyday operation of the Well. Lumber, pipes, tubing, and casing shall not be left on the Operation Site except when Drilling or Well servicing operations are being conducted on the Operation Site. No vehicle or item of machinery shall be parked or stored on any Street, or upon any

Operation Site which constitutes a fire hazard or an obstruction to or interference with fighting or controlling fires except that equipment which is necessary for Drilling or production operations on the Drill Site or Operation Site. The Fire Department shall determine whether equipment constitutes a fire hazard.

- (x) Storage tanks. All tanks intended to contain hydrocarbons and permanent structures shall conform to the API specifications unless other or additional specifications are approved by the Fire Department. All tanks shall require a Fire Code permit and application must be made in accordance with the Fire Code. All storage tanks shall be equipped with a secondary containment system including lining with an impervious material. The secondary containment system shall be a minimum of one and one-half (1-1/2) times the contents of the largest tank in accordance with the Fire Code. Drip pots shall be provided at the pump out connection to contain the liquids from the storage tank. All tanks shall be set back pursuant to the standards of the Commission and the Fire Code. Each storage tank system shall be equipped with a level control device that will automatically activate a valve to close the Well in the event of excess liquid accumulation in the tank system. No meters, storage tanks, separation facilities, or other above ground facilities, other than the wellhead and flow lines, shall be placed in a floodway identified by FEMA on the most current FIRM. Meters, storage tanks, separation facilities, or other above ground facilities proposed in the floodplain shall be outside of the floodway and shall be subject to approval by the Building Official.
- (y) Swabbing, bailing, and purging Wells. No person shall begin the operation of swabbing a Well without first complying with the provisions of this Section. In swabbing, bailing, or purging a Well, all deleterious substances removed from the borehole shall be placed in appropriate tanks and no substances shall be permitted to pollute any surface or subsurface fresh water. No Well shall be swabbed before a device, commonly known as a lubricator, has been placed on the flow casing above all outlets or flow lines of the Well. The lubricator shall be not less in diameter than the flow casing and equipped with an adequate oil saver or stuffing box at the top. The total inside length of the lubricator shall be not less than five feet (5') more than the total length of swab and turn back on swab line. The lubricator shall have a nipple not less than two inches (2") in diameter nor more than four inches (4") in length, placed not more than six inches (6") from the top of the flow line or lines between the gate valve on the flow lines and flow casings. The nipple shall be provided with a gate valve not less than two inches (2") in size. All equipment and parts of the lubricator shall be of a type designed and tested to withstand a pressure of 3,000 pounds per square inch. All pressure tests shall be by the hydrostatic method.
- (z) No refinery, processing, treating or absorption plant of any kind, shall be constructed, established, or maintained within the Airport except as necessary



to render gas into a quality suitable for delivery to third party pipelines. Natural gas fractionation will require a separate permit.

- (aa) Surface casing. Surface casing shall be in full compliance with the applicable rules and regulations of the Commission. Surface casing shall have a centralizer in the middle of the shoe joint, a centralizer on the top of the second joint of casing, and centralizers every fourth joint. Surface casing must be new pipe of API grade J or K or higher grade and have a minimum burst pressure rating of 2,900 psi. In the event a rupture, break or opening occurs in the surface or production casing, the Operator or drilling contractor shall promptly report the incident to the Building Official. Immediate action shall be taken to repair such casing and the Building Official shall be given the opportunity to witness the repairs.
- (bb) Valves. Each well must have a shutoff valve to terminate the Well's production. The Fire Department shall have access to the Well site to enable it to close the shut-off valve in an emergency.
- (cc) Storage. Any permanent, temporary, or portable tank, vessel, container, pit, or impoundment used for storage of products, materials or wastes shall be selected and maintained to be fit for the purpose and capacity in which it will be used. Any such storage shall only be used for materials and wastes from oil and gas exploration and production activities within the boundaries of Dallas/Fort Worth Airport. All waste shall be disposed of in such time, place, and manner as to comply with the air and water pollution control regulations of the Federal Government, the State, this Resolution, and any other applicable requirement of the Airport Board.
- (dd) Watchperson. The Operator must keep watchman or security personnel on site during the Drilling or re-working of a Well when other workers are not on the premises.
- (eye) Installation of pipelines on, under or across Airport property. The Operator shall apply to the Airport Board for a Permit to use the Airport for the purpose of constructing, laying, maintaining, operating, repairing, replacing, and removing pipelines. Prior to installation, the owner of the pipeline shall submit to the Building Official the pipeline design criteria, including but not limited to, operating pressures, pipeline gradient and elevation to sea level, location, pipe ASTM grade, and pipe wall thickness. Prior to and subsequent to installation of each segment of new or replacement pipeline, the pipe and pipeline must receive and pass on-site inspection of compliance with the design criteria and the process of installation. All new or replacement pipe or pipelines shall be covered and must be at least 48 inches below the existing ground level as verified and approved by the Building Official. Operator shall:

- (1) Not interfere with or damage existing water, sewer or gas lines or the facilities of public utilities located on, under or across a Street.
- (2) Furnish to the Building Official a site plan showing the location of such pipelines.
- (3) Design, construct, maintain and operate natural gas pipelines in accordance with 49 U.S.C. 60101, et seq.; 49 Code of Federal Regulations (CFR) Part 191, Transportation of Natural and Other Gas by Pipeline; Annual Reports, Incident Reports, and Safety-Related Condition Reports; 49 CFR Part 192, Transportation of Natural and Other Gas by Pipeline: Minimum Federal Safety Standards; and 49 CFR Part 193, Liquefied Natural Gas Facilities: Federal Safety Standards.
- (4) Grade, level and restore such property to the same surface condition, as nearly as practicable, as existed prior to the laying of the pipeline.
- (5) If a pipeline becomes unsafe or is not properly maintained, or in the event a leak is detected, the Operator of the line shall immediately evaluate the leak or release and either shut in the pipeline or, as soon as possible, shall initiate repairs according to the procedure in section (of) below.
- (6) As mandated by DOT requirements under CFR 192.701, each owner or operator of a gas pipeline for which a Permit is required under this Resolution shall have it surveyed at least twice each year with intervals not to exceed 7.5 months for the purpose of determining whether it is in safe condition and free from leaks, breaks or open spaces. The owner or operator shall provide a copy of the leakage survey report required under DOT CFR 192.706 supported by an affidavit by the person making the survey to the DFW Department of Public Safety Fire Prevention Office, within 30 days of completion of the survey. For failure to timely make the survey and report, or if the report discloses or it otherwise appears that any line is leaking, defective or unsafe, the pipeline shall be closed and shut-in until such time as the leak has been repaired, or a repair plan or report has been approved by the Building Official.
- (7) The location of all new or replacement pipe or pipelines shall be marked by the owner(s) thereof or by the person installing or operating the pipe or pipeline. Marker signs shall be placed at all locations where pipe or pipelines cross property boundary lines and at each side of a Street which the pipe or pipeline crosses. The top of all marker signs shall be a minimum of four feet (4') above ground level, and the support post must be sufficient to support the marker sign and shall be painted yellow or such other color as may be approved by the Building Official. All marker signs shall comply with US Department of Transportation standards regarding size, shape, color, installation, positioning, maintenance and

other related signage requirements. It is the joint and severable responsibility of the owner and the operator of any and all pipelines to maintain the markers in accordance with this Section.

- (ff) Streets. No Permit shall be issued for any Well to be drilled within any Street, and no Street shall be blocked, encumbered, or closed due to any Exploration, Drilling or production operations.
- (gg) Vehicle routes. Vehicles associated with Drilling and/or production in excess of three (3) tons shall be restricted to those arterials or routes designated by the Airport.
- (hh) Tank specifications for a Gas Well. All tanks and permanent structures shall conform to the API specifications unless other specifications are approved by the Airport Board. The top of the tanks shall be no higher than twelve feet (12') above the terrain surrounding the tanks.
- (ii) All Drilling, re-entry and operations at any Well shall be conducted using the best available technology. All casing, valves, Blowout Preventers, drilling fluids, tubing, Braden head, Christmas tree and wellhead connections shall be of a type and quality consistent with sound engineering practices. The setting and cementing of casing and running of drill stem tests shall be performed in a manner consistent with the best available technology. All persons engaged in Drilling or production operations shall observe and follow the recommendations and regulations of the API and the Commission, except in those instances specifically addressed by this Resolution.
- (jj) Upon Completion of the Well, the Operator shall provide a copy of the Commission Completion Report W15, and certify by affidavit that the Well has been completed according to good engineering practices. The affidavit shall stipulate the number of sacks of cement, the class of cement, blended materials, and weight of cement in pounds per gallon; cement displacement pressure, final pumping pressure and whether check valves held the pressure. Commencement and completion times of such operation shall be stipulated. The affidavit must be completed by a cementing service company and signed by both the Operator and the cementing service company.
- (kk) No person shall commence any operation to change the equipment of a Well for the purpose of cleaning, repairing, or reconditioning any such Well, before notifying the Building Official that such operation is to be commenced. No person shall commence such operation unless he receives approval. The Building Official shall give approval for converting from natural to artificial production if it appears that the provisions of this Resolution have been and are being complied with.
- (ll) In no case shall Gas or air be transported through any pipeline at a working pressure in excess of 1,000 pounds. If it is necessary to use greater working

pressure, a gas or air booster plant shall be installed not closer than 75 feet from the Derrick floor of a Well or tank battery and the compressor unit not less than 100 feet from the Derrick floor of the Well being served. In no event shall more than 1,500 pounds working pressure be used in flowing a Well by artificial means.

- (mm) All Gas gathering lines and pipelines on DFW Airport shall be designed, installed, tested, and maintained in accordance with the most current version of 49CFR192 – Transportation of Natural or Other Gas by Pipeline: Minimum Federal Safety Standards. All permanent fresh water and Brackish water HDPE lines shall be tested to ASTM D-2837 following installation or repair.
- (nn) At each Well where air or gas lift is used, there shall be placed on the air or gas lift an indicating pressure gauge which shall show the working pressure of air or gas delivered to the Well at all times. All gauges installed on lines shall be tested and corrected every six (6) months.
- (oo) The Building Official shall inspect all pressure lines in use at any Well or at any project to ensure that tubing, fittings, equipment or connections are reasonably tight, safe and free from leaks. If it becomes necessary to change or remove any pipeline, the entire expense of change or removal shall be borne by the owner of the line requiring repair. Each leak noted shall be classified by a qualified person as to its risk to people and property based on the leak location, line use and content, line pressure, surrounding land use and other considerations. Each leak shall be classified upon discovery, and a repair schedule shall be developed to make repairs as soon as possible, but not to exceed one month. The leak shall be monitored regularly until repairs are made. All such repair plans shall be submitted to and approved by the Building Official.
- (pp) All pipelines, connections and fixtures installed or used for the purpose of gas transportation shall be operated and maintained in a safe manner at all times so as to prevent all leakage or escape of their contents.
- (qq) The Building Official shall have the authority to require the immediate shutting in or closing of any Well if he finds there exists, within a 100-foot radius of any Well, any Gas or gasoline vapor in a quantity sufficient to constitute, in his sole judgment, or in the sole judgment of the Fire Chief, a fire hazard. The Well shall remain shut in or closed in until the hazard and its cause have been remedied.
- (rr) In the event of a fire or discovery of a fire, smoke, or unauthorized release of flammable or hazardous materials, the Operator shall immediately report such condition to the Fire Department.
- (ss) Every Disposal Well shall be constructed so as to seal the injection zone from the upper portion of the casing. Cement shall be circulated to the surface for

injection zone casing. The annulus between the casings shall be filled with a non-corrosive fluid, then sealed and a 1/4-inch female fitting with cutoff valve shall be attached so that the pressure annulus may be measured by the Building Official by attaching a gauge with a 1/4-inch male fitting. The annulus between the production casing and the injection tubing shall be pressure tested to a pressure at least 250 psi greater than the injection pressure proposed for the Well. The Building Official shall be given the opportunity to witness and approve the pressure testing. A copy of all H-5 test reports must be provided to the Building Official. A pressure shall be maintained in the annulus sufficient to monitor the fluids in the annulus. Any significant deviation from the established pressure shall be caused to shut down the Well, and may result in cancellation of the operating Permit, until the established pressure can once again be maintained.

- (1) The DFW Airport Permit for Disposal Well shall reflect the maximum injection pressure as permitted by the Commission. Exceeding this injection pressure shall be considered a violation of this Section.
- (2) Injection lines for such wells shall be buried to a minimum depth of four feet (4') and shall be pressure tested (static) annually at a minimum of 150 percent of the pressure normally encountered at the injection pump discharge for a period of hours to be fixed by the Building Official. The Building Official shall be notified in writing five (5) days in advance of such test and may supervise it. Test results shall be filed with the Building Official upon completion.
- (3) Before performing any down-hole work on a Disposal Well, the Operator shall notify the Building Official at least five (5) days in advance of performing the work, or as soon as practical in the event of emergency repair work. The Building Official shall be given the opportunity to witness the installation of tubing and packer in the Disposal Well. The annulus between the injection tubing and the production casing shall then be pressure tested as required by Commission Rule 3.9.12 Testing. The Building Official shall be given the opportunity to witness the pressure testing of this annulus.
- (3) The Operator of the well shall submit to the Building Official all reports and notifications at the same frequency that such reports and notifications are required under TX RRC Rule 3.9 Disposal Wells, or its equivalent.

## **SECTION 15 SCREENING**

Throughout the entire Exploration, Drilling, and production process there shall be screening improvements (fences, walls, Berms and landscaping) required during each phase of the process if the Drill Site or Operation Site is visible from a Building or

Street, exclusive of construction roads, haul roads or access roads. Without regard to visibility, each Fresh Water Fracking Pit that is open to the atmosphere or surface shall be screened.

- (1) During Drilling. A temporary chain link fence with all-weather screening fabric at least six feet (6') in height shall be established around the entire Operation Site to obscure view of the Drilling activities. A secured entrance gate shall be required. All gates are to be kept locked when the Operator or his employees are not within the enclosure. A "Knox Padlock" or "Knox Box with a key" shall be provided to access the Well site to be used only in case of an emergency.
  - (2) Completion through Abandonment (production phase). A painted architectural metal fence or other approved fencing and/or screening shall be required to enclose and visually screen the Well and all associated equipment. An earthen Berm may also be required. The masonry walls, Berms, and landscaping shall be in compliance with standard engineering and design practices and shall meet the following minimum requirements:
    - a. The painted architectural fence or other approved fencing and/or screening material and design shall be generally compatible with the design of similar facilities, Building and structures on and/or adjacent to the site as approved by the Building Official; and
    - b. Painted architectural fences shall be at least eight feet (8') in height.
  - (3) Each Fresh Water Fracking Pit shall be surrounded by a temporary chain link fence with all-weather screening fabric at least six feet (6') in height. A secured entrance gate shall be required. All gates are to be kept locked when the Operator or his employees are not within the enclosure. A "Knox Padlock" or "Knox Box with a key" shall be provided to access the Well site to be used only in case of an emergency. If the Fresh Water Fracking Pit is open to the atmosphere or the surface, it shall be covered by netting sufficient to inhibit access to the pit by fowl.
- (b) Gate specifications. All temporary fences and masonry walls shall be equipped with at least one (1) gate. The gate shall meet the following specifications:
- (1) At least one gate shall be not less than twelve feet (12') wide and be composed of two (2) gates, each of which is not less than six feet (6') wide, or one (1) sliding gate not less than twelve feet (12') wide. If two (2) gates are used, gates shall latch and lock in the center of the span.
  - (2) The gates shall be of chain link construction, with all-weather screening fabric, that meets the applicable specifications, or of other approved

material that, for safety reasons, shall be at least as secure as a chain link fence.

- (3) The gates shall be provided with a combination catch and locking attachment device for a padlock, and shall be kept locked except when being used for access to the site; and
- (4) Operator must provide the Fire Department with a “Knox Padlock” or “Knox Box with a key” to access the Well site to be used only in case of an emergency.

## **SECTION 16 CLEANUP AND MAINTENANCE**

- (a) Cleanup after well servicing. After the Well has been completed or there has been an Abandonment, the Operator shall clean the Drill Site or Operation Site, complete restoration activities and repair all damage to property caused by such operations within sixty (60) days.
- (b) Clean-up after spills, leaks and malfunctions. After any spill, leak or malfunction, the Operator shall remove or cause to be removed to the satisfaction of the Fire Department and the Building Official all waste materials from any property affected by such spill, leak or malfunction. Clean-up operations must begin immediately. If the Operator fails to begin clean-up within twenty-four (24) hours, the Airport Board shall have the right to contact the Commission in order to facilitate the removal of all waste materials from the property affected by such spill, leak or malfunction.
- (c) Painting. All production equipment shall be painted and maintained at all times, including wellheads, pumping units, tanks, and Buildings. When requiring painting of such facilities, the Building Official shall consider the deterioration of the quality of the material of which such facility or structure is constructed, the degree of rust, and its appearance. Paint shall be non-reflective and of a neutral color, compatible with surrounding uses. Neutral colors shall include sand, gray and unobtrusive shades of green, blue and brown, or other neutral colors approved by the Building Official.
- (d) Blowouts. In the event of the loss of control of any Well, Operator shall immediately take all reasonable steps to regain control regardless of any other provision of this Resolution and shall notify the Building Official and Fire Chief as soon as practicable. If in the opinion of the Building Official or the Fire Chief, a danger to persons and/or property exists because of such loss of Well control and that the Operator is not taking or is unable to take all reasonable and necessary steps to regain control of such Well, the Building Official may then employ any well control expert or experts or other contractors or suppliers of special services, or may incur any other expenses for labor and material which

the Building Official deems necessary to regain control of such Well. The Airport Board shall then have a valid lien against the interest in the Well of all working interest owners to secure payment of any expenditure made by the Airport Board pursuant to such action of the Building Official in gaining control of said Well.

## **SECTION 17 PLUGGED AND ABANDONED WELLS**

- (a) Surface requirements for the Abandonment of a Well. Whenever Abandonment occurs pursuant to the requirements of the Commission, the Operator shall be responsible for the restoration of the Well site to its original condition as nearly as practicable, in conformity with the regulation of this Resolution.
- (b) Abandonment shall be approved by the Building Official after restoration of the Drill Site and/or Operation Site has been accomplished in conformity with the following requirements at the discretion of the Building Official:
  - (1) The Derrick and all appurtenant equipment thereto shall be removed from the site.
  - (2) All tanks, towers, and other surface installations shall be removed from the site.
  - (3) All concrete foundations, piping, wood, guy anchors and other foreign materials regardless of depth, except surface casing, shall be removed from the site, unless otherwise directed by the Commission.
  - (4) If any soil was contaminated, it shall be removed in accordance with local, State and Federal regulations.
  - (5) All holes and depressions shall be filled to grade with clean, compactable soil.
  - (6) All waste, refuse or waste material shall be removed; and
  - (7) During Abandonment, Operator shall comply with all applicable sections in this Resolution.
- (c) Abandoned Well requirement. The Operator shall furnish the following to the Building Official:
  - (1) A copy of the approval of the Commission confirming compliance with all Abandonment proceedings under state law; and



(2) A notice of intention to abandon under the provisions of this Section and stating the date such work will be commenced. Abandonment may then be commenced on or subsequent to the date so stated.

- (d) Abandonment requirements prior to new construction. A Well Site or Drill Site where there has been Abandonment shall meet the most current Abandonment requirements of the Commission prior to the issuance of any Permit for development of the property. No structure shall be built over an abandoned well.
- (e) The Operator can only abandon a Well if the Building Official has reviewed and approved the Abandonment.

### **SECTION 18 TECHNICAL ADVISOR**

The Airport Board may from time to time employ a technical advisor or advisors who are experienced and educated in the gas industry or the law as it pertains to gas matters. The function of such advisor(s) shall be to advise, counsel or represent the Airport Board on such matters relating to gas operations within the Airport as the Airport Board may want or require and the effect thereof, both present and future, on the health, welfare, comfort and safety of the public. In the event such technical advisor(s) is (are) employed for the purpose of advising, counseling or representing the Airport Board relative to an Operator's unique and particular set of circumstances, case or request relating to this Resolution, then the cost for such services of such technical advisor(s) shall be assessed against and paid for by such Operator in addition to any fees or charges assessed pursuant to this Resolution. Prior to the employment of a technical advisor, the Airport Board shall inform the Operator of the intended scope of work and the estimated costs and expenses.

### **SECTION 19 MEANS OF APPEAL**

Refer to Part One, Construction and Fire Prevention Standards Resolution for Board of Appeals.

### **SECTION 20 VARIANCE RESOLUTION COMMITTEE**

The Airport Board hereby establishes a Variance Resolution Committee for Gas Exploration and Production, hereinafter referred to as the Variance Resolution Committee, for the purpose of considering variances to the requirements of Part Nine. The Variance Resolution Committee shall consist of the following Airport staff positions:

- Vice President, Commercial Development or successor department
- Vice President, Department of Public Safety or successor department

Vice President, Finance or successor department  
Vice President, Operations or successor department  
Vice President, Planning or successor department

- (a) An Applicant for a Permit required by this Part may apply for a variance from the requirements of this Part by submitting to the Building Official a written request for variance. The request must include the following:
- (1) Description of the requested variance and an explanation of why it should be granted.
  - (2) Description of alternatives considered and why each is not the preferred alternative.
  - (3) Description of the economic consequences if the variance is not granted;  
and
  - (4) Description of how the level of health, safety and welfare of the public will be maintained if the variance is granted.
- (b) The Building Official shall forward copies of the variance request to the Variance Resolution Committee members. On a case-by-case basis, the Variance Resolution Committee shall consider the following in granting a variance:
- (1) Whether the operations proposed are safe and reasonable under the circumstances and conditions prevailing in the area, considering the particular location and the character of the improvements located there.
  - (2) How the operations proposed compare to available alternatives.
  - (3) Whether the operations proposed would conflict with the orderly growth and development of the Airport.
  - (4) The economic consequence if the variance is not granted.
  - (5) Whether the operations proposed adequately protect the health, safety and welfare of the public; and
  - (6) Whether the operations proposed provide acceptable access for fire personnel and firefighting equipment.
- (c) Approval of a variance requires that a minimum of three Variance Resolution Committee members vote in favor of the approval. The Variance Resolution Committee shall notify the Airport tenants affected by any request for variance and allow them to address the request in writing within twenty (20) days of the notice. Only variances that would result in a setback distance between any Well

or Disposal Well and a Building to less than the minimum setback outlined in Section 13 of this Part will be deemed to affect an Airport tenant.

The Variance Resolution Committee shall not be required to hold public hearings, except upon request of two Committee members. The Variance Resolution Committee shall notify the Airport Board in writing of each variance request at least twenty (20) days prior to the granting of such variance. Upon request of two voting Airport Board members, a variance shall be placed on a public meeting agenda of the Airport Board. The Variance Resolution Committee shall not thereafter grant the variance request without consent of the Airport Board.

The details of each action granting or denying the requested variance shall be recorded and entered in the files of the Office of the Building Official, and the Building Official shall forward a letter to the Applicant stating whether the Variance Resolution Committee has approved or denied the variance request and listing any conditions placed upon an approval. The Variance Resolution Committee shall report each such action to the Airport Board on at least a quarterly basis.

## **SECTION 21 SEVERABILITY CLAUSE**

It is the intention of the Airport that the phrases, clauses, sentences, paragraphs and sections of this Resolution are severable, and if any phrase, clause, sentence, paragraph or section of this Resolution shall be declared unconstitutional or unenforceable by the valid judgment or decree of any court of competent jurisdiction, such unconstitutionality or unenforceability shall not affect any of the remaining phrases, clauses, sentences, paragraphs and sections of this Resolution.