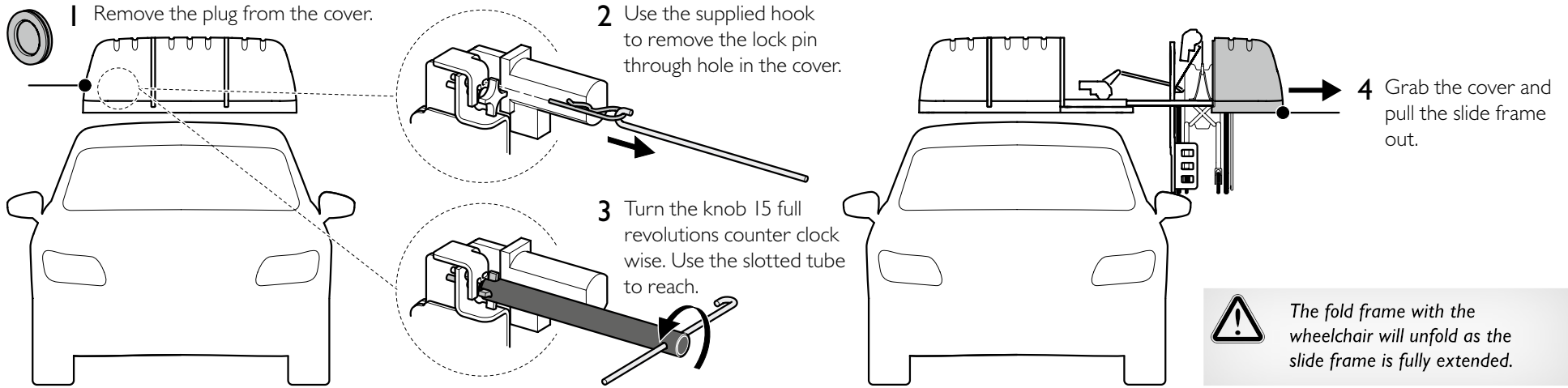
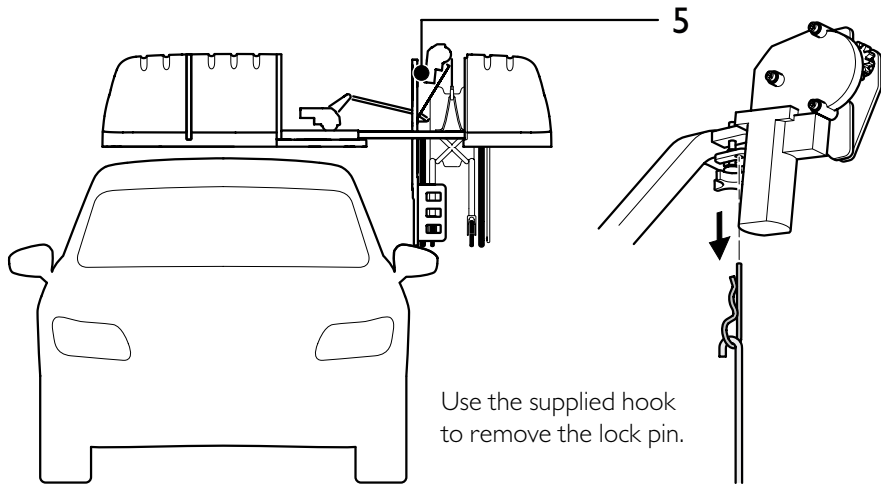


OUT



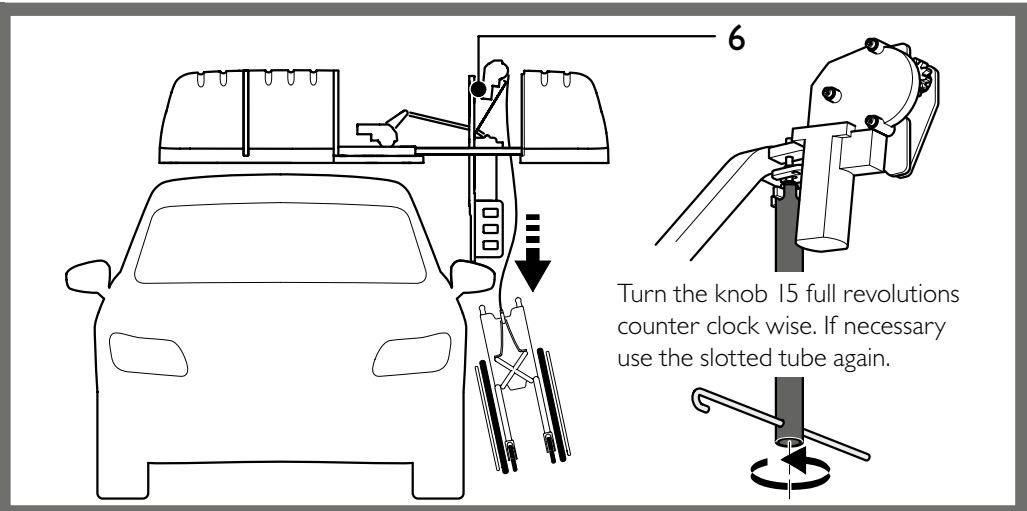
DOWN

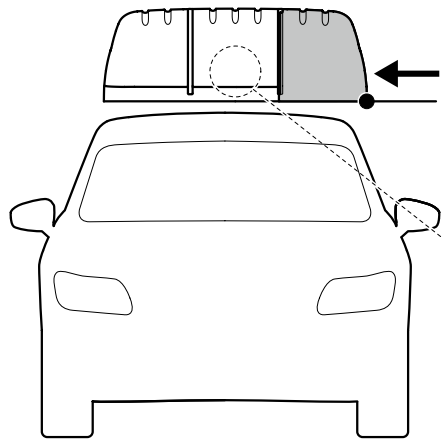


! DANGER

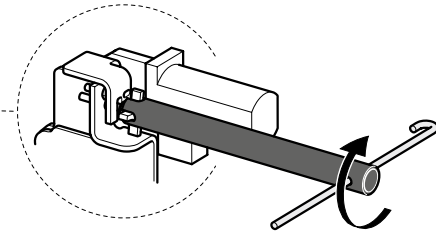
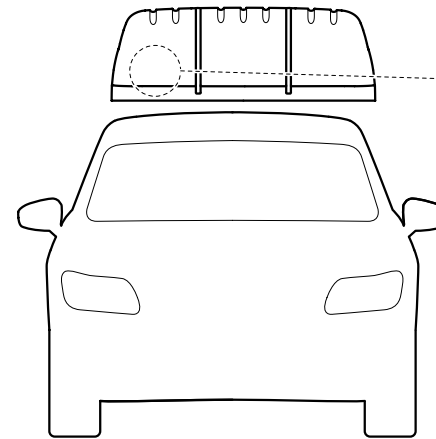
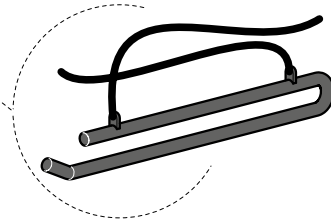
RISK OF BODILY INJURY AND MATERIAL DAMAGE

During this procedure the wheelchair will suddenly drop and free fall from the Chair Topper. Unless held by a person of adequate strength, it may cause injury to anyone in its path as well as cause damage to the vehicle.





7 Push in the slide frame until the fold frame is in a horizontal position. Place the seat hook and chains on top of the fold frame. Continue to push in the slide frame until it is fully closed.



8 Turn knob 15 revolutions clock wise. Use the slotted tube to reach.



Make sure the knob is securely tightened to prevent the Chair Topper from sliding open during travel.



Manual emergency operation kit

Unfold the sheet for instructions



Always contact your installation technician after an emergency operation to fix the fault before using Chair Topper again.

