



# STR-N-LED

**5 year warranty**

**IP 66**

LED streetlight for use in hazardous areas, zone 2/22, which can be supplied with a variety of lenses to suit the application.

**Applications:** Streetlighting, Area lighting

**Body:** Aluminium alloy, RAL 9005, black

**Diffuser:** Hardened safety glass

**Light source:** LED, 4000K, CRI +70, MacAdam3

**Optics:** DWC: Excellent mix of pole spacing and road width  
 T2M: Large pole spacing and standard road width  
 LW1: Large pole spacing and wide roads or area lighting

**LED modules (calculated):** L80B10 @ta50°C - 60,000hrs

**ATEX certified:** Zone 2/22



II 3G Ex nR IIC T6 Gc  
 II 3D Ex tc IIIC T85°C Dc IP66



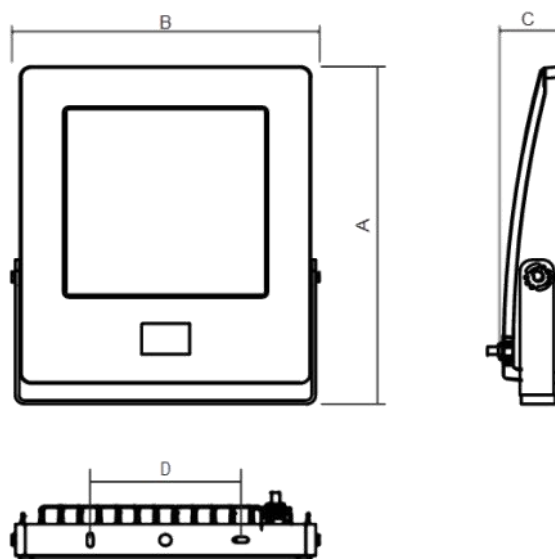
**Supply:** Dimmable DALI 220-240V 50/60Hz

**Entry:** 1 x M20 (Exe Plastic gland included)

**Termination:** Screwless 3-pole terminal block, 2.5mm<sup>2</sup> max

**Mounting:** Adjustable U-bracket

**Optional:** - Unistrut stainless steel pole clamps  
 58.7-63.5mm or 73.0-79.4mm (other sizes also available)  
 - Streetlight pole adaptor for floodlight U-bracket  
 60mm or 76mm pole (side or top mounting)



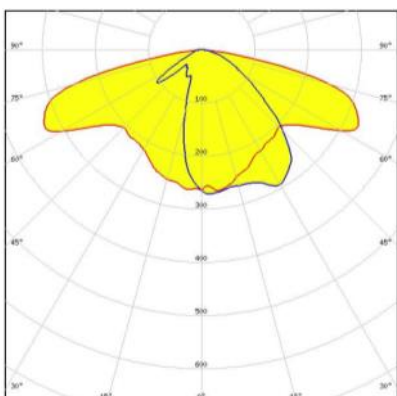
**Pole mounting options:**



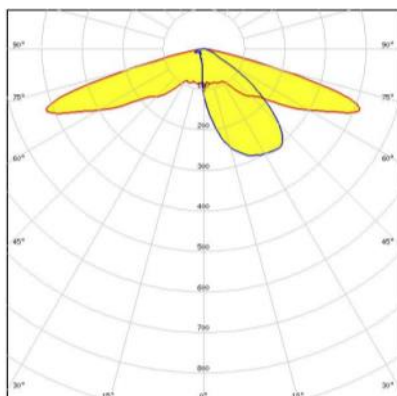
Order Number	Lumen (lm)	Power (W)	Ta Min/Max (°C)	Dimensions AxBxCxD (mm)	Weight (kg)
STR-N-LED-DWC-17000-4K-DALI	6,500-16,000	Up to 105	-40/+60	480 x 400 x 80 x 200	12

DWC-optic lens as standard. To order another optic lens simply replace 'DWC' with 'SCL', or 'LW1'. The lumen output can vary slightly when selecting a different lens. Please contact your local distributor.

STR-N-LED-DWC



STR-N-LED-T2M



STR-N-LED-LW1

