



# Daylight Sensor



## DS-Ex-DH

IP 66



**Application:** Standalone daylight sensor for hazardous area with daylight harvesting using DALI dimming protocol.

**Body:** Aluminium alloy with powder paint finish

**Diffuser:** Borosilicate glass

**Mounting:** Ceiling/Wall mounted

**ATEX certified:** Zone 1/21

II 2G Ex d IIC T6 Gb

II 2D Ex tb IIIC T80°C Db IP66 IK08

**AmbT:** -20°C to +45°C

**Voltage:** 220-240V AC

**Switching load:** Channel 1 (switching):

3A LED lighting

Channel 2 (dimming):

Max. 10 DALI ballasts or 20 if the switching relay is disabled

**Control:** Optional manual switch input control, allows the user to override the dimming levels and turn the output on and off

All functionality is fully programmable, during commissioning, using an IR handset

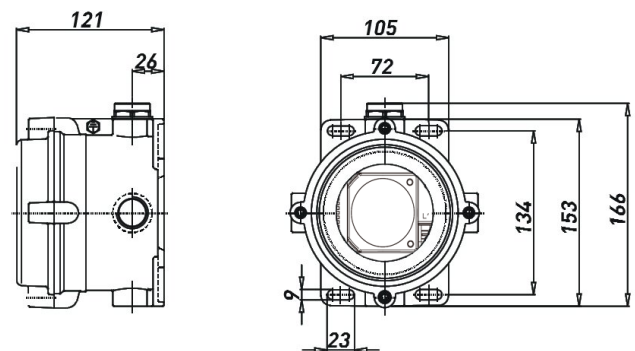
**Termination:** L, Ls, Nx2, PE, DA+, DA-; max. 4mm<sup>2</sup>  
Loop in/Loop out

**Entries:** 3 x M25

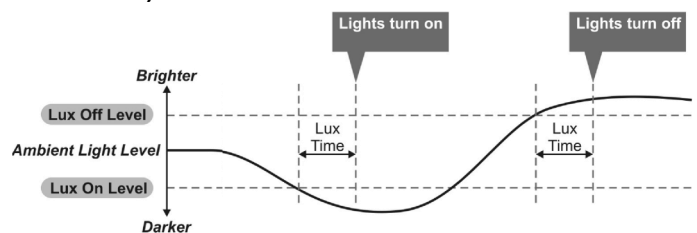
**Weight:** 2kg

**Optional:**

- Adjustable mounting bracket
- IR programmable unit



Switch level ON/OFF



Typical wiring schematic with daylight harvesting and optional override switch

