



RUSSELL-LED

IP 65

5 year warranty



Application: Dustproof high-bay lighting fixture RUSSELL-LED in degree of protection IP65 is designed for lighting of halls and industrial areas.

Ballast: EP – electronic 110-240V/50-60Hz

Light source: LED, 4000K, CRI +80, MacAdam3

Housing: Painted aluminium casting (RAL 9005)

Diffuser: Clear hardened safety thermally toughened glass (120° beam angle), PC LED optics (90° beam angle)

Fastening: mounting via suspension bracket or via adjustable bracket

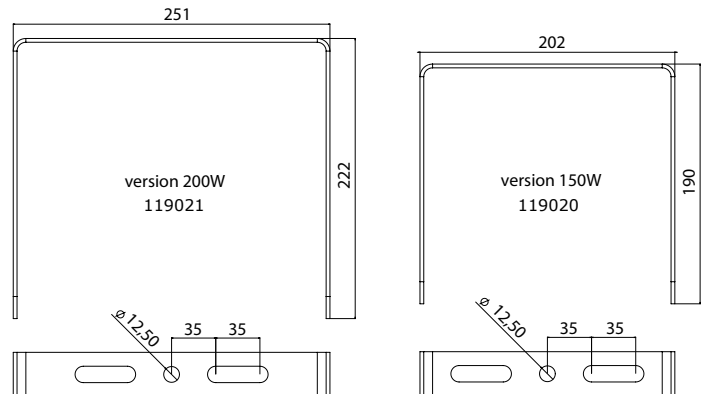
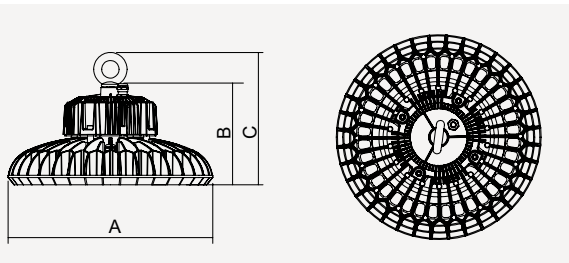
Connection: The lighting fixture is provided as a standard with 2 m cable (3x1.5 mm²), that is terminated by soldered (tinned) wire ends

Standard equipment: 1 pc. suspension bracket M5

Calculated lifetime – LED modules:

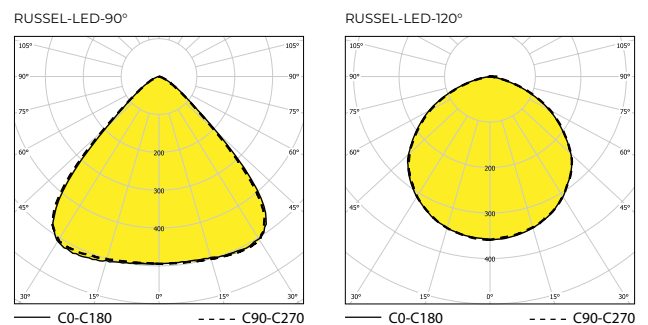
L80B10 ta30 – 50 000h

L70B10 ta30 – 80 000h



Order number	Name	Lighting fixture luminous flux (lm)	Power input (W)	Rated power output (lm/W)	Ta max (°C)	Dimensions of lighting fixture A x B x C (mm)	Mounting spacing A x B (mm)	Weight (kg)
119010	RUSSELL-LED-14500-4K-90°	14456	103	140	50	340x138x187	-	3,6
119011	RUSSELL-LED-22000-4K-90°	21436	162	132	50	400x148x197	-	4,7
119012	RUSSELL-LED-14500-4K-120°	14313	103	139	50	340x138x187	-	3,6
119013	RUSSELL-LED-22000-4K-120°	22242	162	137	50	400x148x197	-	4,7
119014	RUSSELL-LED-19000-4K-90°	19535	146	134	50	340x138x187	-	3,6
119015	RUSSELL-LED-26500-4K-90°	25950	197	132	50	400x148x197	-	4,7
119017	RUSSELL-LED-19000-4K-120°	18907	146	130	50	340x138x187	-	3,6
119018	RUSSELL-LED-26500-4K-120°	25657	197	130	50	400x148x197	-	4,7

Tolerance of luminous flux and power input of the lighting fixture +/- 10%



Accessories on request



Suspended mounting

004768 Snap-hook 6030 - zinc



Direct mounting

119020 Adjustable bracket RUSSELL-LED-19000



Direct mounting

119021 Adjustable bracket RUSSELL-LED-26500

Lighting fixture detail



On request

GESIS – possibility to equip lighting fixtures with connectors
2.7K-6.5K - colour temperature

DIM – dimmable electronic ballast (DALI)

Standard order number	EM-1H	EM-3H	MULTI-1H	MULTI-3H	DALI	1F	3F
119010	X	X	X	X	X	X	X
119011	X	X	X	X	X	X	X
119012	X	X	X	X	X	X	X
119013	X	X	X	X	X	X	X
119014	X	X	X	X	119022	X	X
119015	X	X	X	X	119023	X	X
119017	X	X	X	X	119024	X	X
119018	X	X	X	X	119025	X	X