

Motion Detector



MWS-Ex

IP 66



Application: High frequency motion sensor for hazardous area

Body: Aluminium alloy with powder paint finish

Diffuser: Borosilicate glass

Mounting: Ceiling/Wall mounted

ATEX certified: Zone 1/21 II 2G Ex d IIC T6 Gb

II 2D Ex tb IIIC T80°C Db IP66 IK08

AmbT: -20°C to +55°C

Voltage: 220-240V AC

Switching load: 400W (Zero crossing detection circuit)

Motion detection sensitivity: 0.3...3m/s with synchronised control

Control: -Sensitivity control up to 12m dia.(Adjustable)

- Adjustable ON/OFF timer, 5s - 30min

- Photocell: Freely adjustable threshold

Termination: L, Ls, Nx2, PE; max. 4mm²
Loop in/Loop out

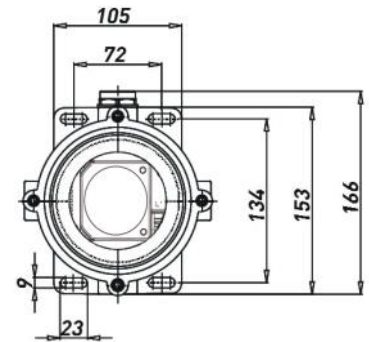
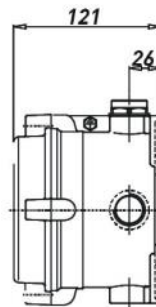
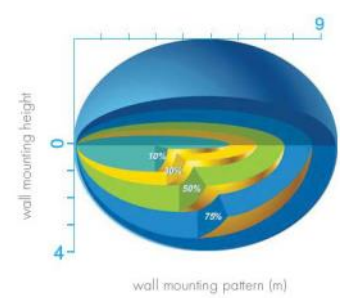
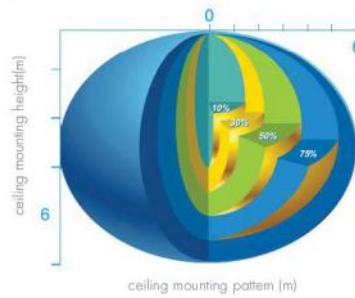
Entries: 3 x M25

Weight: 2kg

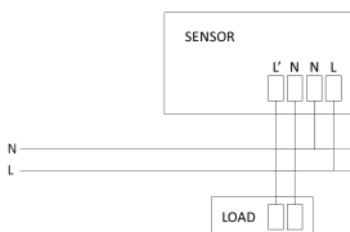
Optional:

- Adjustable mounting bracket

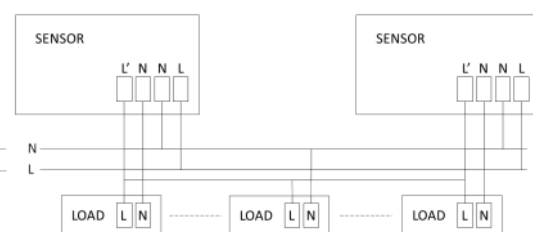
Detection Pattern



ON/OFF Function



Synchronised Control Function



corridorFunction with DALI controlled luminaire

