



BH24-LED

5 year warranty

IP 65

Wall or ceiling mounted bulkhead for use in demanding applications.

LED Applications: Tunnels, Marine, Coastal areas
(1000hr salt spray test approved)

Body: Aluminium alloy, RAL 9005, black

Diffuser: Hardened clear safety glass

Light source: LED, 4000K, CRI >80, 2400 lumen

Ambient Temperature: -25°C to +50°C

LED modules (calculated): L80B10 @ta50°C - 50,000hrs

Supply: 220-240V 50/60Hz, 24W

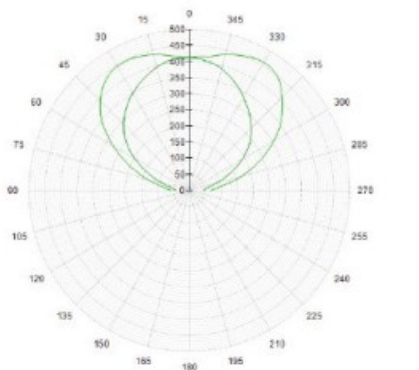
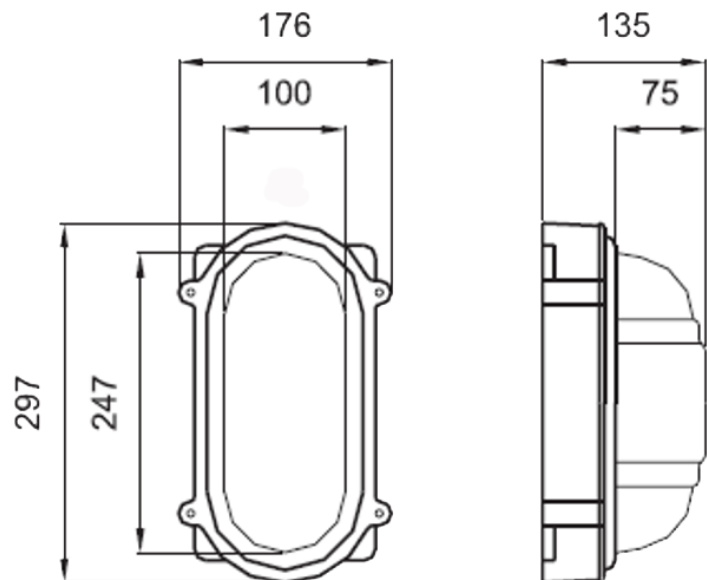
Entry: 2 x M20 (one top and one bottom)

Termination: 2.5mm² max

Mounting: Flange mounted

Optional:

- Integrated 3hr emergency
- Self-testing emergency
- Dusk to Dawn
- Microwave motion sensor
- Daylight monitoring



Photometric data

