

TBM

TECHNICAL REGULATIONS

FOR

MECHANICAL EQUIPMENT

Edition 8, 2021-11-01

The Swedish Nuclear Power Companies have jointly produced this document.
Any revision of this document must be approved by mutual consultation between the
companies.

Approved:

Anders Magnusson FKA, Erik Lindén OKG and Fredrik Olvmark RAB

Licensee administrators of the PAKT-documents

TABLE OF CONTENTS

1	INTRODUCTION	7
1.1	Background	7
1.2	Purpose and use	7
1.3	Content	7
2	GENERAL PART	8
2.1	Field of Application	8
2.2	Abbreviations, regulations and standards	9
2.2.1	Definitions	9
2.2.2	Abbreviations.....	9
2.2.3	Regulations and standards	9
2.3	Classification	10
2.3.1	Safety Class	10
2.3.2	Quality Class	11
2.3.3	Seismic Class.....	11
2.3.4	Tightness Class.....	11
2.4	Design specifications	12
2.4.1	General	12
2.4.2	Contents.....	12
2.4.3	Guidelines	13
2.5	Design criteria	14
2.5.1	General	14
2.5.2	Objective and work sequence.....	15
2.5.3	Function requirements.....	15
2.5.4	Modes of operation.....	15
2.5.5	Loadings and combinations of loadings	16
2.5.6	Acceptable Stresses.....	17
3	MATERIAL, DESIGN AND MANUFACTURING AND INSTALLATION ...	19
3.1	Material	19
3.1.1	Cobalt.....	19
3.1.2	Silver	20
3.1.3	Antimony	20
3.1.4	Aluminium and Zinc.....	20
3.1.5	Carbon steel and low alloy steel	20
3.1.6	Martensitic and martensitic-austenitic steels.....	20
3.1.7	Ferritic and ferritic-austenitic (duplex) stainless steel.....	20
3.1.8	Stainless steel castings	20
3.1.9	Austenitic stainless steel	21
3.1.10	Nickel based alloys type NiCrFe	21
3.1.11	Materials for salt water systems.....	22
3.1.12	Materials for intermediate drainage	22
3.1.13	Materials for bolts, nuts and washers	22
3.1.14	Filler materials for welding	23
3.1.15	Plastic and rubber	24
3.1.16	Gasket material	24
3.1.17	Lubricants.....	25
3.1.18	Thermal insulation	25
3.2	Design and calculation	25
3.3	Manufacturing and installation	26
3.3.1	Standards for welding.....	27
3.3.2	Heat affected zone	27
3.3.3	Requirements for temporary welds	27
3.3.4	Requirements for handling of stainless steels and nickel-based alloys	28
3.3.5	Welding	28
3.3.6	Fit up and tack welding.....	29

3.3.7	Weld procedure / welding data sheets (WPS).....	29
3.3.8	Certain requirements for weld joints	30
3.3.9	Repair welding of base material.....	31
3.3.10	Repair of welds.....	32
3.3.11	Forming and straightening	33
3.3.12	Heat treatment.....	34
3.3.13	Marking	35
3.4	Vibrations.....	35
3.4.1	Resonance	35
3.4.2	Balancing	36
3.4.3	Runout and straightness/fitting tolerance.....	36
3.4.4	Vibration levels	36
3.5	Surface treatment.....	37
3.5.1	General	37
3.5.2	Painting-, Corrosivity- and Environment classes.....	38
3.5.3	Design and pre-treatment.....	39
3.5.4	Painting	39
3.5.5	Galvanizing	40
3.5.6	Rubber lining	40
3.5.7	Storage and Transport.....	41
3.6	Documentation	41
3.6.1	Necessary documentation at tender	41
3.6.2	Documentation required prior to manufacturing	41
4	EQUIPMENT SPECIFIC REGULATIONS	42
4.1	Piping	42
4.1.1	General	42
4.1.2	Weld joints.....	42
4.1.3	Design of seals in flanged connections.....	47
4.1.4	Threaded connections.....	47
4.2	Pipe fittings.....	48
4.2.1	Branch connections	48
4.2.2	Elbows and bent pipes	50
4.2.3	Reducers.....	51
4.2.4	Flanged connections	51
4.2.5	Caps in pipe system	52
4.2.6	Welded lugs on steel pipes.....	52
4.2.7	Other pipe fittings	53
4.3	Valves.....	54
4.3.1	Introduction	54
4.3.2	Material restrictions	54
4.3.3	Design and calculation	55
4.3.4	Manufacturing.....	59
4.3.5	Documentation	59
4.4	Pumps	61
4.4.1	Introduction	61
4.4.2	Material restrictions	61
4.4.3	Design and calculation	62
4.4.4	Vibrations and balancing	63
4.4.5	Manufacturing.....	63
4.4.6	Documentation	63
4.5	Heat Exchangers	66
4.5.1	Introduction	66
4.5.2	Material restrictions	66
4.5.3	Design and Calculations.....	66
4.5.4	Manufacturing.....	68
4.5.5	Documentation	68
4.6	Process Measuring Equipment	71

4.6.1	Introduction	71
4.6.2	Design requirements on certain components.....	71
4.7	Pressure vessels	72
4.7.1	Introduction	72
4.7.2	Design.....	72
4.7.3	Connections	72
4.7.4	Sealing arrangements	73
4.7.5	Strength calculations	73
4.7.6	Documentation	73
4.8	Supports	75
4.8.1	Introduction	75
4.8.2	Material restrictions	75
4.8.3	Design and Calculations.....	75
4.8.4	Manufacturing.....	78
4.8.5	Documentation	78
4.9	Atmospheric storage tanks	79
4.9.1	Design.....	79
4.9.2	Calculation	79
4.9.3	Marking	80
4.9.4	Documentation	80
4.10	Internals for reactor pressure vessels and steam generators	82
4.10.1	Restrictions for material in reactor internal parts.....	82
4.10.2	Design.....	82
4.10.3	Documentation	82
4.11	Pipe rupture restraints	83
4.11.1	Introduction	83
4.11.2	Material	83
4.11.3	Design.....	83
4.11.4	Calculation	84
4.11.5	Manufacturing.....	84
4.11.6	Documentation	85
5	REPAIR OF INSTALLED EQUIPMENT	86

APPENDIX:

- Appendix 1 EVENT CATEGORIZATION, ANSI/ANS-52.1-1983
- Appendix 2 TABLE 3-6 in ANSI/ANS-52.1-1983
- Appendix 3 Oxide reference
- Appendix 4 Tightness classification

SPECIFICATIONS ASSOCIATED WITH TBM:

- Attachments TSM-Specifications:
- Piping, E-TSM 101
 - Valve, E-TSM 102
 - Control valve, E-TSM 103
 - Safety valve, E-TSM 104
 - Pump, E-TSM 106
 - Heat exchanger, E-TSM 107

LIST OF REVISIONS – TBM

Edition	Reason for revision	Applicable pages	Date
2	Thorough revision due to the regulation SKIFS 1996:1 issued by the Swedish Nuclear Power Inspectorate regarding revision of "the regulation SKIFS 1994:1 Mechanical Equipment in Nuclear Plants". Revisions due to aspects from review of issue 1 performed by licensees and SAQ Nuclear Engineering Inspection Limited.	Revision of the entire document	1997-05-01
3	Revised due to experience and comments from the licensees.		1999-11-01
4	Thorough revised due to the regulation SKIFS 2000:2 and viewpoints from the licensees.	Total revision of large parts	2001-04-01
5	Thorough revision due to the regulation SKIFS 2005:2 and viewpoints from the licensees.	Entire document revised	2008-03-06
6	Thorough revision due to the regulation SSMFS 2008:13 and viewpoints from the licensees.	Entire document revised	2012-06-21
7	Updates due to incorporation of parts from TBY and comments from the licensees.	Entire document revised	2015-12-08
8	Incorporated changes from TM and general comments from licensees.	Entire document See markings	2021-11-01

1 INTRODUCTION

1.1 Background

TBM “Technical Regulations for Mechanical Equipment” is a jointly prepared implementation document by the Swedish Nuclear Power utilities and constitutes a common interpretation aimed to fulfil

- The SSM (The Swedish Radiation Safety Authority) requirements from the issued regulations SSMFS 2008:13
- The design and manufacturing requirements issued by The Swedish Work Environment Authority in regulations applying to pressurised equipment AFS 2016:1 and AFS 2016:2 for division of AIB participation is AFS 2017:3 applied
- The licenses own requirements

The regulations may also be used as guidance, for equipment and work that is not covered by stated area of application.

TBM and other PAKT-documents shall be revised frequently. New rules and gained experiences shall be implemented in the documents upon revision.

1.2 Purpose and use

The purpose of these technical requirements, TBM, are to clarify and interpret the requirements for new and modified mechanical equipment to be installed in Swedish nuclear plants. Requirements in addition to TBM requirements shall be specified in the equipment specification of the respective equipment.

TBM does not apply to requirements related to system- or plant level, for instance redundancy or diversification.

TBM shall be used together with the common power plant quality regulations KBM.

When mechanical equipment covered by TBM also includes electrical parts, the TBE and KBE shall be used together with TBM and KBM.

The licensees shall use TBM at purchasing, design, manufacturing, repair and installation of mechanical equipment.

1.3 Content

Chapter 1 describes background, purpose, usage and content of TBM.

Chapter 2 describes field of application for TBM, provides definitions, describes the classification procedure in Swedish nuclear power plants and gives guidance at preparation of design criteria for mechanical integrity.

Chapter 3 describes general requirements and regulations for material, surface treatment, design, manufacture and installation of mechanical equipment.

Chapter 4 describes object specific requirements and regulations to be reported for different types of mechanical equipment which means additions and exemptions from the general requirements and regulations specified in chapter 3

Chapter 5 describes requirements at repair of installed equipment.

Chapter 1, 2 and 5 are normally intended for the licensee, while applicable parts of chapter 3 - 4 normally is included in the documentation, which is be sent to a supplier.

2 GENERAL PART

2.1 Field of Application

The nuclear plants covered by these regulations are:

- Forsmark 1, 2 and 3
- Oskarshamn 3
- Ringhals 1, 2, 3 and 4

The technical regulations applies to repairs, exchanges and plant modifications / additions for such mechanical equipment covered by the following:

- Mechanical equipment that are part of the primary system or within the containment barrier or in safety, process and auxiliary systems in the nuclear power plant.
- Mechanical equipment with significance for safe plant operation and is affected by the requirement for staff protection against illness and accidents.
- Mechanical equipment with significance for the plant's production capability and availability.

The technical requirements does however not apply to:

- Moving machine parts in turbines, motors and generators,
- Lifting equipment and lifting tools,
- Mechanical parts in nuclear fuel bundles,
- Containers used for transportation of nuclear substance and nuclear waste,
- Mechanical equipment used for handling, processing, storage or final disposal of nuclear waste and containers intended for use with nuclear waste.

In applicable parts, TBM can be used as guidance for repairs, exchanges, modifications and additions to mechanical equipment such as moving and internal machine parts in pumps, valves, turbines and generators.

The technical requirements are neither applicable to:

- Such atmospheric storage tank intended for flammable liquid for which regulations have been issued in accordance with the statute (2010:1075) concerning flammable and explosive material.
- Such piping for inflammable liquid for which regulations have been issued in accordance with the statute concerning flammable material, and which is used between a vessel that is not pressure vessel or vacuum vessel.

The technical regulations can in applicable parts be used as guidance for repairs, exchanges, modifications and additions of atmospheric storage tanks and piping for flammable liquid.

2.2 Abbreviations, regulations and standards

2.2.1 Definitions

For definitions see the licensee's common definition, PAKT list of definitions.

2.2.2 Abbreviations

AFS	Swedish Work Environment Authority - Code of Statutes
ANSI	American National Standard Institute
ANS	American Nuclear Society
ASME	American Society of Mechanical Engineers
ASTM	American Society for Testing and Materials
BWR	Boiling Water Reactor
CFR	Code of Federal Regulations
DIN	Deutsches Institut für Normung
DN	Nominal Diameter (see Nominal Pipe Size NPS and SS-EN ISO 6708)
EAM	European Approval for Materials
EN	European Standard
GDC	General Design Criteria
HAZ	Heat Affected Zone
ISA	International Society of Automation
ISO	International Organization for Standardization
KBE	Quality Regulations for Electrical Equipment
KBM	Quality Regulations for Mechanical Equipment
KFM	Design Criteria for Mechanical Equipment
MSBFS	Regulations by the Swedish Civil Contingencies Agency
PED	Pressure Equipment Directive (2014/68/EU)
PMA	Particular Material Appraisal
PWR	Pressurized Water Reactor
RCPB	Design Criteria for Mechanical Equipment
SAR	Safety Analysis Report
SS	Swedish Standard
SSM	Swedish Radiation Safety Authority
SSMFS	Regulations by the Swedish Radiation Safety Authority
TBE	Technical Regulations for Electrical Equipment
TBM	Technical Regulations for Mechanical Equipment
TBV	Technical regulations for Ventilation Equipment
TSM	Technical Specifications for Mechanical Equipment
VDI/VDE	Verein Deutscher Ingenieure/Verband der Elektrotechnik
WPQR	Welding Procedure Qualification Record (Protocol for welding procedure qualification)
WPS	Welding Procedure Specification (Welding Data Sheet)

2.2.3 Regulations and standards

Unless a specific edition of a standard is specified the latest edition, alternatively new standard replacing the obsolete to be used. However, the licensee shall approve new standards.

The below specified regulations, codes and standards shall be applied unless otherwise specified in the purchase order.

Swedish regulations

AFS 2016:1	Pressure retaining equipment
AFS 2016:2	Simple pressure vessels
AFS 2017:3	Use and inspection of pressurised equipment
SSMFS 2008:13	The Swedish Radiation Safety Authority's Regulations for mechanical equipment in certain Nuclear Power Plants
SSMFS 2008:17	The Swedish Radiation Safety Authority's Regulations concerning the Design and Construction of Nuclear Power Reactors

Swedish standards

SS-EN 13445	Pressure vessels
SS-EN 13480	Pipe lines
SS-EN 1993-4-2	Atmospheric storage tanks

Foreign standards

ANSI/ANS-51.1-1983	ANSI/ANS nuclear safety criteria for the design of stationary pressurized water reactor plants
ANSI/ANS-52.1-1983	ANSI/ANS nuclear safety criteria for the design of stationary boiling water reactor plants
ASME III	ASME BPVC Section III – Rules for Construction of Nuclear Facility Components
ASME VIII	ASME BPVC Section VIII – Rules for Construction of Pressure Vessels
EKS	European Design Standards

2.3 Classification

All equipment in a nuclear power plant is divided into safety classes based upon the importance of the equipment from the nuclear power safety point of view. By tradition this divisioning is based on American regulations and codes, i.e. in this case 10CFR50, Appendix A, GDC 1. According to this regulation shall the design of structures, systems and components be of a quality corresponding to the importance of the actual functions from safety point of view.

2.3.1 Safety Class

The division into safety classes is based upon the risk of radioactive discharge to the external environment. Safety class 1 denotes the highest requirements and safety class 4 is equivalent to “conventional requirements”. The division is performed as per the provisions of the code ANS-52.1 edition 1983 for BWR plants and ANSI/ANS 51.1 edition 1983 for PWR plants.

The safety classification governs the division into classes of mechanical and electrical equipment. For mechanical equipment, the safety classification governs the quality classification and for the electrical equipment it governs the electrical function classification.

2.3.2 Quality Class

Mechanical equipment shall be divided into five quality classes (1-4, 4A). The main rule is that a piece of equipment is assigned the same quality class as the safety class. The quality class governs the design, manufacturing, installation and inspection requirements and the quality assurance measures at plant modifications and additions, replacements and repairs in the plant.

Equipment classified as NNS (Non Nuclear Safety) according to ANSI/ANS 51.1 or 52.1 is either assigned quality class 4A or 4, quality class 4A applies to equipment that can contain large amounts of radioactive substances (surface dose > 1 mSv/h).

Mechanical equipment that is not covered by SSMFS 2008:13 (conventional equipment) are not assigned quality class 1-4 (or 4A).

The principles for the division into quality classes shall be safety reviewed according to SSMFS 2008:1, 4 chapter 3§. Prior to applying these principles, they shall be reported to The Swedish Radiation Safety Authority.

The division in quality classes is evident from the current flow charts for the respective plant and / or by classification lists, based on classification rules part of the safety analysis report (SAR) for the respective plant. Valid rules and principles for quality classification is reported to and accepted by the SSM for the respective plant.

At plant modifications where new systems or system parts are added, these are classified according to rules and principles in the safety analysis report (SAR) for the respective plant.

2.3.3 Seismic Class

The division into seismic classes, 1, P or N, aims to set the highest requirements for equipment that needs to be operational during and after a seismic event. Lower requirements can be allowed for equipment that does not need to be operational in a seismic event, but at the same time can not damage or adversely affect required equipment. Equipment that does not fall in under the above mentioned categories have no requirements with respect to seismic event.

The division into seismic classes is stated for the respective plant classification lists, based on classification rules included in the safety analysis report (SAR) for respective plant.

2.3.4 Tightness Class

Pressure retaining equipment are assigned a tightness class P, S or K. In systems containing radioactive media there are higher requirements for components tightness than is usually the case with conventional plants. Tightness class aims to adapt the requirements for tightness so that the highest requirements are set for systems with high pressure and a high activity content during normal operation or during a interference. The tightness classes have been defined by the reactor supplier ASEA-ATOM with the intention to facilitate and control the design work so that the correct sealing design is selected.

The division into tightness classes is stated for the respective BWR-plant classification lists, based on classification rules included in the safety analysis report (SAR) for respective plant. For PWR-plants, tightness classification is not included in the classification lists, this needs to be interpreted separately.

Requirements for sealing design as a function of tightness class are governed by the respective plants design rules which are based on the plants original system design and design principles.

2.4 Design specifications

2.4.1 General

The purpose of this chapter is to give guidance at preparation of design specifications. The licensee is responsible for establishing the design specifications.

The design specifications specifies the requirements that shall be fulfilled for the equipment, they shall also list the conditions for the mechanical detailed design plus satisfy the authority requirements to describe the extent of the modification to the detailed necessary to enable a review.

The design specifications shall have been subjected to a safety review according to chapter 4 §3 of SSMFS 2008:1 and the included design criteria shall be reported to SSM prior to applying the design specifications.

Design specifications shall be prepared at all modifications of mechanical equipment in the plant that may cause changed conditions for any part of the plant, this applies to all quality classes. Such modifications of mechanical equipment, which are included in the requirement of design specifications, are:

- plant modifications and additions
- such exchanges where the load condition of the system part in question may be affected by the function or design of the replacement equipment
- exchanges that affect more than a limited part of a system
- measures that are taken to remove cracks or corrosion attacks without any subsequent repair of parent material or weld deposit.

2.4.2 Contents

Design specifications shall be prepared in accordance with guidelines specified in SSMFS 2008:13 and to applicable extent contain the following data:

- requirements for the function of the equipment
- boundary to other equipment including the loadings at the boundary
- mechanical design criteria (KFM)
- requirements for protection of over pressurization
- internal and external environment including possible neutron radiation
- requirements for inspection and testing capability
- classification (safety-, quality, seismic-, tightness-, electrical function-)
- specific material requirements
- listing of codes and standards governing the design, issue to be specified
- list of valves and interlocks that at operation must be locked in open or closed position
- reference to documents describing criteria for readiness for operation
- listing of active components (components where a mechanical movement is required to perform the nuclear safety function of the component)
- flow charts

The design specification should also contain analyses of the modification's affect on the loadings and operation limits of existing equipment in the actual system as well as in connecting systems.

2.4.3 Guidelines

At preparation of design specifications it is essential that the SAR in force is taken into consideration since it provides the background that is required, this to avoid that the requirement for the intended modification will be in conflict with the general plant requirements. Each respective licensee got internal procedures for preparation of a design specification.

2.4.3.1 Interfaces

For all interfaces to the existing systems (-parts), requirements shall be raised to specify all occurring forces, torques and displacements, alternatively this information shall be attached to enable the determination of the interaction of the interfaces during the design work.

2.4.3.2 Design criteria

Guidelines to design criteria are found in TBM chapter 2.5. Normally there is a reference in the design specification to separate mechanical design criteria (KFM).

2.4.3.3 Manufacture

If certain manufacturing process requirements are raised as per TBM chapter 3.3 this has to be evident from the design specification.

2.4.3.4 Testing

If pressure test shall be performed by air or gas instead of liquid this must be required by the design specification.

Possible limitations for the selection of liquid for the testing shall be specified. At selecting liquid it must be regarded that the liquid has no negative impact and that it may be used for the pressure and temperature in question.

It must also be stated if certain requirements apply at pressure test of expansion bellows.

Tightness requirements for stem seals, valve seats, flanged connections, etc. shall be included in the design specification.

2.4.3.5 Protection against over pressurization

Such components where pressure and associated temperature, either static or in connection with transients, may exceed design data must be protected against over pressurization. In the design specification it must be stated if there is requirement for protection against over pressurization and, if this is the case data of required blow-down capacity to be specified.

2.4.3.6 **Certain component requirements**

If there are certain requirements for any component according to TBM chapter 4 this has to be evident from the design specification.

2.4.3.7 **Environmental qualification**

SSMFS 2008:17 17§ sets requirements for structures, systems, components and devices that is a part of the safety systems shall be environmental qualified. In the licensee's instructions for environmental qualification it is stated which components that are applicable for environmental qualification requirements, if so it shall also be stated in the design specification.

2.5 **Design criteria**

2.5.1 **General**

The mechanical design criteria (KFM) constitute a description of the significant loadings and combination of loadings with acceptance criteria for a unique system configuration e.g. a piping system including supports. A KFM shall contain sufficient data to perform a verification of structural integrity.

Each plant shall have a procedure which always shall be applied at the preparation and update of KFM for mechanical equipment. In case of deviations between this chapter for design criteria and the plant specific KFM procedure, the plant specific KFM to be governing and applied.

The below text is a coarse overview of preparation of a KFM with regard to mechanical integrity of mechanical equipment. The requirements for **mechanical integrity** are based on codes aiming to the resistance of pressure retaining and load bearing equipment to pressures and other loadings without breaks or leaks. The quality class for the respective equipment governs the codes to be applied at analysis of the mechanical integrity. Also function requirements on active and passive component affects the evaluation.

SSMFS 2008:13 has been governing for the guidelines in this subsection, where it in chapter 4. §4 reads:

At modifications in a plant that affects mechanical equipment through:

- *modifications and additions*
- *such replacements where the relevant loading conditions of the actual system part may be affected by the function or design of the replacement parts*
- *replacements that affects more than a limited part of a system*
- *measures according to § 2.*

The design and performance to be based upon current design specifications that shall be safety reviewed according to chapter 4, §3 in SSMFS 2008:1.

Prior to applying the design specifications, the design criteria therein to be reported to The Swedish Radiation Safety Authority.

In the General Recommendations concerning the application of SSMFS 2008:13 there are several references made to ASME III.

Even though the references to ASME III are just advisory, the choice is made to follow the main part of the arrangement prescribed by ASME III NCA-2140, section Design Basis, appendix B at preparation of design criteria for mechanical integrity. The reason for this is the tradition to follow ASME III at qualified evaluations.

In cases when the evaluation shall be performed according to a different code, the work sequence according to ASME is still to be applied at preparation of design criteria for mechanical integrity.

2.5.2 Objective and work sequence

The following objective and work sequence can be established from an interpretation of applicable parts of SSMFS 2008:13 and ASME III.

The design criteria for mechanical integrity shall specify the applicable loadings and loading combinations that mechanical equipment is subjected to. In addition data regarding permissible stresses to be included.

At the preparation the following procedure should be applied:

- Determine the functional requirements
- Determination of applicable modes of operation, upset conditions and accidents
- Establishment of loads and load combinations
- Determination of acceptable stresses

The design criteria for the mechanical integrity in quality class 1, 2, 3, 4 and 4A shall specify the entire scope of design loading, operation loading and corresponding, acceptable stresses. There is no regulation requirement to prepare design criteria for mechanical equipment which got no quality class.

2.5.3 Function requirements

At identification of the loads on a system there is a review performed of available documentation such as SAR, system descriptions, classification lists, flow charts, operation reports, operation procedures, accident procedures, transient documentation, analyses of protection for over pressurisation, reportable incidents, global experiences, SSM-decisions etc. All these documents provide data related to the function of the system and operation, and function requirements and different events.

2.5.4 Modes of operation

In order to determine the loads a piece of equipment is subjected to the different operation modes loads affecting the component have to be determined. This includes the normal conditions, upset and accidents the piece of equipment shall withstand. In addition, to evaluate the limits to be set for the different loads it is necessary to anticipate a probability for each mode of operation (lower probability for an operating condition leads to acceptance of higher threshold values, see chapter 2.5.6).

A method to describe this is to divide the modes of operation in different event classes. The event classes H1-H5 and residual risks are defined in SSMFS 2008:17. In ANSI/ANS 51.1 (PWR) and ANSI/ANS 52.1 (BWR) a set of event classes named "Plant Conditions" (PC) are defined. Briefly, one can say that H1 and PC1 corresponds to normal operating

situations while higher designations specify disturbances or accident situations with a decreasing degree of probability.

A summary of probabilities for different H and PC and a connection to other applied event classes is specified in Appendix 1.

The applicable event classification shall be described in the safety analysis report for the respective plant. If this is missing the relevant modes of operation must be established for affected system, this based upon event analyses from the current safety analysis report. Through evaluation of this can relevant modes of operation be established on system- and equipment level.

Example of this is:

- normal operation (pressure, temperature, dead weight)
- pump transients (start/stop)
- valve manoeuvring
- temperature transients
- vibrations (e.g. due to pipe break or pool dynamics)
- seismic event

Each case of operation mode shall then be related to relevant plant condition or be assigned an evaluated probability.

2.5.5 Loadings and combinations of loadings

Loadings are divided into Design Loadings, Service Loadings and Test Loadings. ASME III Appendix B-2121 lists the loadings to be considered.

At evaluation the simultaneously acting loads to be lumped together. This often means that a dynamic loading is regarded together with internal pressure and dead weight.

2.5.5.1 Design Loadings

Design Loadings are in turn divided into design pressure, design temperature and mechanical design loadings. The loadings for which the component shall be strength calculated, shall be included in these (cyclic or transient loading are normally not included), see ASME III section NCA-2142.1 "Design Loadings".

2.5.5.2 Service Loadings

The service loading shall be derived from the anticipated operation modes. All the loadings the component is subjected to, during predictable, normal and upset service situations and possible accident situations are related to service loading. To service loading belongs pressure, temperature, mechanical loads and their possible cyclic or transient course (see further ASME III section NCA 2142.2 "Service Loading"). Related service loadings are combined to load combinations (Service Loading Combinations) which together with adherent event classes and anticipated probability shall be evaluated against relevant service limit, see below.

2.5.5.3 **Test Loadings**

The loadings that occur at different tests of a system or a piece of equipment belongs to test loadings. Analyses of loadings at pressure test are performed if the test is regarded as being carried out at different system characteristics than those covered by design loadings for example pressure test with water filled piping and blocked hangers for steam piping, or at high test pressures. Loadings from other types of tests are regarded similar to service loadings, see further ASME III section NCA-2142.3 "Test Loadings".

2.5.6 **Acceptable Stresses**

Acceptable stresses are divided in Design Limits, Service Limits and Test Limits (see ASME III section NCA-2142.4 "Design, Service and Test Limits").

2.5.6.1 **Design Limits**

Design limits specify the limit for the design loading. In case service loadings are not to be evaluated, the design limit is set to the same level as Service Limits A (see below). Otherwise the design limits are evident from the evaluation instructions available in e.g. ASME III (sections NB, NC, ND, NE, NF or NG) or SS-EN 13480 and SS-EN 13445.

2.5.6.2 **Service Limits**

The service limits are divided into four levels according to ASME III, Service Limits A, B, C and D. Limit A corresponds to limits stating the margins and safety factors needed for the component to satisfy its specified performance.

Limit B corresponds to the limits giving smaller margins and safety factors compared to Limit A, but where still no damage to the component will arise. Limits C and D correspond to limits giving further reduction of margins and safety factors and where permanent damages needing repairs can arise. However, the pressure vessel integrity must not be jeopardized. For quality class 4 equipment SS-EN service limits may be applied. Below table shows a comparison between ASME and SS-EN.

ASME Service Limit	SS-EN 13480-3 Service Limit
A	Normal
B	Occasional
C	Exceptional
D	

Table 2-1. Approximate comparison between Service Limits ASME III and SS-EN 13480-3

Event class (or equivalent modes of operation including probability) governs which service limit to be applied. This relationship shall be described in the final safety analysis report. In appendix 2 (from ANSI/ANS 51.1 and ANSI/ANS 52.1) corresponding relationship is described for "Plant Conditions". The relationship to requirements for active and passive functions is also evident.

In the evaluation of a component according to e.g. ASME III sections NB, NC, ND, NE, NF or NG, service limits A – D are assigned numbers for permitted stresses.

2.5.6.3 Test Limits

The test limits specifies the limits for the tests to be performed. In the evaluation of a component according to e.g. ASME III Section NB, NC, ND, NE, NF or NG, test limits are assigned values for permitted stresses.

3 MATERIAL, DESIGN AND MANUFACTURING AND INSTALLATION

3.1 Material

General conditions relating to quality assurance, prescribed authorisations and requirements for testing and inspection are given in the licensee's Quality Regulations for Mechanical Equipment, KBM.

Well-proven and documented material shall always be selected. If alternative codes, standards or specifications are desired to be used, these to be approved by the licensee prior to application and they shall at least provide equal quality.

Material and shapes shall be inspected, tested and documented with certificates according to the requirements in KBM.

Marking of material shall be performed by a method that provides permanent marking without affecting function or material properties.

The supplier shall be responsible for the detailed selection of material standard or material specification to be applied for the individual item. The supplier is also responsible for conformance with the requirements, guidelines and restrictions specified below.

The licensee shall evaluate and approve or alternatively reject, the materials proposed by the supplier.

Examples of materials that can be used in pressure retaining equipment are metallic materials for pressure vessels as per EN or ASME Section II.

For material that is not listed in harmonized EN-standard can specific PMA/EAM be used.

Generally, the materials are accepted as per the requirements and restrictions specified in the respective material standard / material specification and applicable technical delivery and inspection requirements. In addition shall the below restrictions and limitations be adhered for the specified groups of material.

3.1.1 Cobalt

The very long-lived cobalt isotope Co-60 is the cause of most radiation in nuclear plants. Cobalt originates from contents of cobalt in the metallic materials, which are worn, corroded or worked into grinding dust. These corrosion- and grinding products particles are spread with the reactor water into the core where they are activated. Thereafter they are again distributed into the systems and are deposited in different components as extremely severe radiation sources. To minimise the collective dose the requirements below must be fulfilled:

The cobalt content must not exceed 0,05 % in the reactor vessel or it's internal parts. This is also valid for large areas (>10 m²) outside the reactor vessel if the areas are exposed to water, which thereafter may enter the reactor vessel without passing through and ion exchanger.

For areas ≤ 10 m² the cobalt content must not exceed 0,20% in components that are in contact with water that may enter the reactor unless the water first is passing through an ion exchanger.

At hardfacing in valves may a certain increased degree of cobalt content be accepted after approval from the licensee. See chapter 4.3.2.2.

For materials in systems where the water not can enter the reactor vessel there is no limitation of the cobalt content.

3.1.2 Silver

The silver isotopes Ag-108 and Ag-110m causes radiological problems similar to those caused by the cobalt isotope Co-60 and the antimony isotope Sb-124. In addition to that silver increases the dose in the plant also the nuclides difficult to filtrate, this in turn causes increased discharges. Silver is found in e.g. certain gaskets. Silver may only be used after approval from the licensee.

3.1.3 Antimony

The antimony isotope SB-124 causes radiological problems similar to those caused by the cobalt isotope Co-60 and silver isotopes Ag-108 and Ag-110m. Antimony is used as an additive in lead-, copper- tin- and zinc alloys to increase the hardness. Known sources of antimony are pump bearings, gaskets and braids in stuffing boxes. Antimony may only be used after approval from the licensee.

3.1.4 Aluminium and Zinc

Aluminium and zinc or alloys containing these elements shall be avoided in the reactor building, this since when subjected to corrosion hydrogen gas is emitted. In the case where it is not possible to avoid these elements is acceptance from the licensee first required.

3.1.5 Carbon steel and low alloy steel

Micro alloyed steels must not be used in process systems unless accepted by the licensee, this regardless of operating temperature. This also applies to other steel structures that are long term subjected to temperatures above 100°C.

For steels to be welded the carbon content must not exceed 0,23%, the sulphur content must not exceed 0,030% and the phosphorus content may not exceed 0,035%.

3.1.6 Martensitic and martensitic-austenitic steels

Due to impaired welding properties martensitic and martensitic-austenitic steels shall not be used unless approved by the licensee, this also applies to precipitation hardened martensitic steels (PH-steels).

All martensitic steels exhibit some tendency to hydrogen embrittlement. For use in reactor water over 100°C shall the hardness in these materials be limited to maximum 300HV. For specific requirements on valve spindles and pump shafts see Ch. 4.3.2.1 and 4.4.2.1.

3.1.7 Ferritic and ferritic-austenitic (duplex) stainless steel

These steel types may only be used at permission from the licensee and where specified in TBM.

3.1.8 Stainless steel castings

Stainless steel castings are not permitted in pressure retaining components in quality class 1 and 2 unless approved by the licensee. When austenitic steel castings is accepted shall the contentment of free ferrite be 5-20% and the carbon content shall not exceed 0,03% in stainless steel casting.

3.1.9 Austenitic stainless steel

The following applies to austenitic stainless steels:

- Grain size shall comply with KBM EP 2-08.
- All plastic formed austenitic stainless steels for media affected components in wetted systems with design temperature $>100\text{ °C}$ and other stainless steels if required by the purchaser shall be free from cracks at the intergranular corrosion test according to SS-EN ISO 3651-2 Method A, B or C, alternatively according to ASTM A262/E. Corrosion requirement as per KBM EP 2-07.
- The material shall be delivered in solution annealed condition.
- In systems containing steam or water with operational temperature above 100 °C precipitation hardened materials may not be used (for example 1.4980/SS 2570).

In PWR-plants the following applies:

- In systems containing steam or water with operational temperature above 100 °C , the carbon content shall not exceed 0,03 %. This also applies to titanium- or niobium stabilised materials.
- For other details is the maximum permitted carbon content 0,05 %.

In BWR-plants the following applies:

Quality class 1-3:

- The molybdenum content in plastically formed steels shall be minimum 2 %.
- In systems containing steam or water with operational temperature above 100 °C , the carbon content shall not exceed 0,030 % for FKA and 0,02 % for OKG.
- In systems containing water with operational temperature below 100 °C , the carbon content shall not exceed 0,05 %.
- For other details in dry environment, the specified material standard applies.

Quality class 4A and 4:

- In systems containing steam or water with operational temperature above 100 °C , the carbon content shall not exceed 0,030 %.
- In systems containing water below 100 °C , the maximum carbon content according to specified material standard applies.

3.1.10 Nickel based alloys type NiCrFe

Nickel based alloys are accepted with the following restrictions:

- The carbon content must not exceed 0,05 %.
- Alloy X-750 may only be used in heat treated condition. The heat treatment shall be solution annealing at $1080 \pm 15\text{ °C}$ and a soaking time of 1-2 hours. Cooling through water- or oil hardening. Precipitation hardening at $715 \pm 15\text{ °C}$ and a soaking time of 20 hours followed by cooling in air.
- Welding in precipitation hardened NiCrFe-alloys type Alloy X-750/A-718 must not be performed without permission from the licensee.
- Cold working is only permitted when it due to manufacturing reasons cannot be avoided. In such cases a cold working up to 3% may be permitted.

3.1.11 Materials for salt water systems

Titanium alloys, rubber lined carbon steels and for salt water specially developed stainless steels shall be used in salt water systems. Austenitic stainless steels shall have a molybdenum content of minimum 6 %. Ferrite austenitic (duplex) stainless steels shall have a molybdenum content of minimum 3 %* and a ferrite content of 30-70 %. The composition shall in addition also satisfy the criteria PRE (Pitting Resistance Equivalent) ≥ 37 , whilst PRE is calculated according to the following formula: $PRE = Cr + 3,3 \times Mo + 16 \times N$. For certain components may also other materials be permitted upon acceptance from the licensee. For polymeric materials see chapter 3.1.15.

* For Ringhals, duplex stainless steels shall have a molybdenum content of minimum 4 %.

3.1.12 Materials for intermediate drainage

For intermediate drainage piping shall one of the following or equivalent material be used:

- 1.4563 / UNS S08028
- 1.4424 / UNS S31500
- 1.4462 / UNS S32205
- 1.4539 / UNS N08904

3.1.13 Materials for bolts, nuts and washers

3.1.13.1 Bolts, nuts and washers in pressure retaining joints

Bolts and nuts shall be manufactured from materials according to SS-EN 1515-4 alternatively PMA/EAM or ASME SA-193 or ASME SA-194.

At pressure up to and including 40 bar with temperature -10°C to 300°C are following bolted connections allowed, carbon steel with strength class 8.8 according to SS-EN 1515-4 or ASME SA-193 Grade B7.

Nuts in strength class 8 according to SS-EN 1515-4 or ASME SA-194 Grade 2H.

At pressure over 40 bar or temperature under -10°C or above 300°C are bolts in strength class 8.8 or nuts in strength class 8 not allowed, alternative material needs to be selected according to SS-EN 1515-4.

At pressure up to and including 100 bar with temperature -60°C to 400°C are following bolted connections allowed, stainless steel in A4-70 according to SS-EN 1515-4 or ASME SA-193 Grade B8M Class 1.

Nuts in A4-70 according to SS-EN 1515-4 or ASME SA-194 Grade 8M.

Outside above listed limitations shall alternative material be selected according to SS-EN 1515-4.

Upon acceptance from the licensee may also A2-70 or ASME SA-193 Grade B8 Class 1 be accepted for bolts and A2-70 or ASME SA-194 Grade 8 for nuts. However, A4-80 or A2-80 are not permitted.

If stainless bolts are chosen, the risk of galling shall be considered.

Bolts of austenitic stainless materials with a hardness exceeding 220 HV shall not be used in direct contact with water at a temperature above 100°C .

Head bolts shall not be used at pressure exceeding 40 bar or at temperatures above 150°C . At higher pressure rating or temperature shall threaded bar / stud bolt of above listed material be used. Threaded bar / stud bolt in the above listed material shall always be used in quality class 1.

Plain washers in carbon steel as well as stainless steel shall at least have a hardness class of 200 HV however bolted connections may require a higher strength class at high tightening torque and thus higher hardness class of the washers thereto.

For bolting in special applications shall material according to ASME SA-540 alternatively SS-EN 1515-4 be selected.

3.1.13.2 Bolts, nuts and washers in load bearing joints

For load bearing components can bolts and nuts in strength class A4-80, A2-80, 8.8 respectively 8 be used.

If stainless bolts are chosen, the risk of galling shall be considered.

Bolts of austenitic stainless materials with a hardness exceeding 220 HV shall not be used in direct contact with water at a temperature above 100°C.

3.1.14 Filler materials for welding

Weld filler materials shall be adopted to the base material, tested and documented according to KBM EP 3-11/5-11.

For austenitic weld filler materials the pure weld deposit and the actual weld metal in intended weld joints shall have a ferrite content of 5-15 % with exception for nickel base alloys of the type NiCrFe. The carbon content of austenitic filler metal must not exceed 0,03 %.

Alloy 182 is not permitted without the approval of the licensee.

Below table specifies the guidelines for selecting filler materials according to SS-EN/ISO.

Tabell – Svensk standard för tillsatsmaterial för svetsning, indelning m a p metod och material samt övriga. För indelningsstandarder med en före detta (fd) EN-beteckning är ISO-standarderna s.k. "cohabitation" där "A-sidan" motsvarar tidigare EN.

SVETS
KOMMISSIONEN

Metod etc	Stål				Övriga material				
	Olegerade och finkorn	Höghållfasta	Varmhållfasta	Rostfria och värmebeständiga	Nickel	Koppar	Aluminium	Gjutjärn	Titan
MMA	SS-EN ISO 2560 (fd EN 499)	SS-EN ISO 18275 (fd EN 757)	SS-EN ISO 3580 (fd EN 1599)	SS-EN ISO 3581 (fd EN 1600)	SS-EN ISO 14172	ET			ET
MIG/MAG	SS-EN ISO 14341 (fd EN 440)	SS-EN ISO 16834 (fd EN 12534)	SS-EN ISO 21952 (fd EN 12070)	SS-EN ISO 14343 (fd EN 12072)	SS-EN ISO 18274	SS-EN ISO 24373 (fd EN 14640)	SS-EN ISO 18273	SS-EN ISO 1071	SS-EN ISO 24034
TIG	SS-EN ISO 636 (fd EN 1668)								
Tråd-, rör- & bandelektroder för pulverbågsvetsning	SS-EN ISO 14171 (fd EN 756)	SS-EN ISO 26304 (fd EN 14295)	SS-EN ISO 24598 (fd EN 12070)			ET			
Pulver för pulverbågsvetsning	SS-EN ISO 14174 (fd EN 760)								
Rörellektroder	SS-EN ISO 17632 (fd EN 758)	SS-EN ISO 18276 (fd EN 12535)	SS-EN ISO 17634 (fd EN 12071)	SS-EN ISO 17633 (fd EN 12073)	ET			SS-EN ISO 1071	ET
Gassvetsning	SS-EN 12536 (ISO 'saknas')	ET	SS-EN 12536 (ISO 'saknas')	ET	ET			SS-EN ISO 1071	ET
Skyddsgas	SS-EN ISO 14175 (fd EN 439)								
Generell produktstandard	SS-EN 13479								
Kvalitetskrav för tillverkning etc	SS-EN 12074								
Tekniska leveransbestämmelser	SS-EN ISO 544								
Anskaffning	SS-EN ISO 14344								
Typkontroll	SS-EN 14532-1 & -3					ET	SS-EN 14532-2	ET	
Provningsmetoder	SS-EN ISO 15792-1, -2 & -3 (fd EN 1597-1, -2 & -3)								
Påsvetsgods för kemisk analys	SS-EN ISO 6847					ET		SS-EN ISO 6847	ET
Ferritnummer	ET			SS-EN ISO 8249	ET				
Hydrogenhalt	SS-EN ISO 3690			ET					
Fuktbeständighet belagda elektroder	SS-EN ISO 14372			ET					
Utbyte och småttal	SS-EN 22401 (eller SS-ISO 2401)					ET		SS-EN 22401 (eller SS-ISO 2401)	ET

ET = Ej tillämpligt

3.1.15 Plastic and rubber

Halogen based materials as fluorine rubber, chloroprene, chlorethene, sulphone rubber, teflon and PVC, are not permitted for use in nuclear power plants without the approval of the licensee. Plastic and rubber materials free from halogens are primarily used for sealing elements, O-rings, cable insulation and seawater coolant piping.

For polymers in contact with high temperature water ($\geq 100^{\circ}\text{C}$) there are requirements for a highest content of leachable chlorides and fluorides of totally 150 mg/kg.

The licensee shall specify area of application, environment and operation temperature. Depending of the component function expected radiation dose and temperature after possible accident to be considered.

Detailed material specification shall be requested from the supplier. Polymers age, especially at elevated temperatures and at irradiation, the manufacturer shall due to these circumstances recommend the periodic replacement of the component in question.

Polymer materials demonstrate different resistance against radiation.

Polytetrafluoroethylene (PTFE, e.g. Teflon) is the most radiation sensitive polymer and it must not be subjected to an accumulated radiation dose exceeding $5 \cdot 10^2$ Gy. Also polyacetals (e.g. Delrin) are sensitive to gamma radiation, this should be considered in the applications where high radiation levels can be expected.

Peroxide vulcanized rubber demonstrates in general a higher temperature- and radiation resistance than sulphur vulcanized rubber.

Plastic pipe should only be used in quality class 3, 4A and 4 where the medium is sea water, industrial or demineralised water. The materials that can be used in such systems are the thermoplastics listed in The Swedish code for plastic piping PRN 1988.

Plastic piping shall be designed, manufactured, installed, inspected and tested in accordance with PRN 1988. As an alternative may SS-EN 13067 or EWF581 be used for qualification of welders. Procedure for the welding is required.

Piping must not be installed in such a way that they run the risk of being subjected to fire.

3.1.16 Gasket material

Materials in mechanical shaft seals shall be selected in consultation with the licensee.

Unless otherwise specified by the licensee expanded graphite to be used in stuffing boxes. Also filler material in spiral wound gaskets and reinforced compressed gaskets shall be of expanded graphite.

Due to risk of galvanic corrosion in adjacent equipment graphite may however not be used in systems, which may come into contact with sea water.

The total quantity of in water leachable contents of chloride, fluoride, sulphate and antimony at 100°C must not exceed 150 mg/kg and in the case of pure graphite gaskets not exceed 50 mg/kg.

Asbestos shall not be used in the plant.

Rubber-bonded fibre gaskets may be used according to the recommendations of the manufacturer, the gasket material shall however be accepted by the licensee.

Gaskets shall be designed according to applicable standard ASME B16.20, ASME B16.21, SS-EN 1514-1, SS-EN 1514-2 and SS-EN 14772.

3.1.17 Lubricants

Antimony or sulphurous lubricants, e.g. molybdenum disulphide, must not be used in BWR-water or PWR primary side. Graphite based- or graphite-nickel based lubricants to be used as the first choice. The lubricants used shall be classified, approved and registered in chemical data base of the respective plant. For calculation of the compression force in a bolted connection the friction value of the lubricant to be specified.

3.1.18 Thermal insulation

For thermal insulation material the requirements decided by the licensee applies for highest in water permitted leachable content of chlorides and fluorides.

3.2 Design and calculation

Design of pressure-retaining and load-bearing equipment, shall with respect to mechanical integrity, be made according design specifications approved by the licensee.

Calculation of mechanical integrity, shall be performed to an extent that is specified in the below codes and standards and they shall be documented through a technical report. The mechanical integrity analyses shall be performed against the applicable KFM (design criteria mechanical equipment), see chapter 2.5. Review requirements of calculations are specified in KBM.

Design and calculation of mechanical equipment in quality class 1, 2 and 3 shall be performed as per ASME BPVC, Section III, Subsection NB, NC, ND respective NF and according to certain design rules and requirements in TBM chapter 3 and 4.

Pressure retaining equipment in quality class 4 and 4A containing radioactive media shall normally be designed according to SS-EN 13480 (piping) and SS-EN 13445 (pressure vessels) with addition of certain design rules and requirements in TBM chapter 3 and 4.

Pressure retaining equipment in quality class 4 not containing radioactive media shall satisfy the requirements of AFS 2016:1 (PED). Design and calculation of such equipment shall normally be performed according to SS-EN 13480 (piping) and SS-EN 13445 (pressure vessels) and according to certain design rules and requirements in TBM chapter 3 and 4.

The interpretation for the application of ASME Service Limits at calculations according to SS-EN 13445-3 and SS-EN 13480-3 is evident from table 2-1 in chapter 2.5.6.2.

Pressure retaining bolted connections in quality class 1-3 shall fulfil ASME III Mandatory Appendix XIII, Article XIII-4000.

Pressure retaining bolted connections in quality class 4A and 4 shall fulfil SS-EN 13480-3 / SS-EN 13445-3.

Pressure retaining equipment in quality class 4A requires tightness class S or P, however, in quality class 4 tightness class K may be applied. In tightness class S and P there are certain requirements for flanged joints according to chapter 4.1.3 and requirements for pump and valve seals according to chapter 4.3 and 4.4. For sealing design at different tightness classes see attachment 4.

The licensee may permit that design of mechanical equipment in quality class 2, 3, 4 and 4A is performed according to other codes and guidelines. A condition for this is that an evaluation of similarity is performed. The supplier is then responsible for submitting a written application of this acceptance from the licensee.

The certain rules to be considered for the respective equipment specific mechanical equipment are found under "Design and calculation" in TBM chapter 4.

3.3 Manufacturing and installation

This chapter specifies to applicable parts the minimum requirements at manufacturing, installation and welding of quality classed mechanical equipment. Companies manufacturing such equipment shall prepare and use manufacturing- and installation documents that are approved by the licensee. This shall with respect to design and configuration satisfy the requirements of TBM and other requirements as per the below specified standard. The rules for inspection, testing, welding and heat treatment in these standards shall however then be replaced by the requirements of KBM and TBM.

Manufacturing and installation of mechanical equipment in quality class 1-3 shall be performed as per ASME BPVC, Section III, Subsection NB, NC, ND respective NF and according to certain requirements in TBM/KBM. SS-EN 13445-4 (pressure vessels) and SS-EN 13480-4 (piping) may be used after approval from the licensee.

Manufacturing and installation of mechanical equipment in quality class 4 and 4A shall be performed in accordance with SS-EN 13480-4 and SS-EN- 13445-4 and to certain requirements in TBM/KBM. Other standards such as e.g. ASME VIII may be used after approval from the licensee.

Manufacturing of pressure retaining equipment not containing radioactive media shall fulfil the requirements of AFS 2016:1 (PED). However AFS 2016:1 shall not be used at installation due to requirements of SSMFS 2008:13 (KBM).

Application of PED (2014/68/EU) in quality class 4

Standardised products and components

Pressure retaining devices considered as standardised products and components of quality class 4 system parts, where deficiencies or malfunctions cannot cause discharge of radioactive substances, can normally be procured in accordance with the requirements of AFS 2016:1 (2014/68/EU) unless otherwise agreed.

Any additional requirements in KBM and TBM are usually not applicable for these kinds of products and components. When selecting material grade should however requirements in TBM be considered depending on actual environmental prerequisites.

Products include, for example, pressure vessels, valves etc.

Finished products shall be CE labelled with the exception of products in accordance with 8§ (article 4 3§ in 2014/68/EU).

Components constitute, for example, pipes and pipe parts like pipe bends, cones, ends etc. Components are not CE labelled individually.

Pressure retaining devices belonging to 8§ according to AFS 2016:1 shall be manufactured according to "Sound Engineering Practice". ("Sound Engineering Practice" according to Article 4 3§ in 2014/68/EU)

Other pressure retaining devices

Other pressure retaining devices in quality class 4, in other words non-standardised products and components (piece production), are normally procured according to requirements and documentation in the accompanying Delivery Specification / Technical Specification and requirements in detailed control documents based on KBM and TBM. Additional requirements in KBM and TBM shall normally apply to these components unless otherwise agreed.

3.3.1 Standards for welding

All welding of mechanical equipment in quality class 1-3, 4 and 4A shall be performed and documented according to requirements in KBM chapter 1.6 and in TBM chapter 3.3, with the exception for manufacturing in quality class 4, where deficiencies or malfunctions cannot cause discharge of radioactive substances, AFS 2016:1 (PED) is applied.

3.3.2 Heat affected zone

Thermal cutting shall be avoided in the plant and if thermal cutting is needed pre heating to be applied whenever required. If thermal cutting is used at weld bevel preparation, the edge shall be worked to completely remove the possible carburised material and the heat-affected zone (HAZ). HAZ is considered to have a width of 5 mm measured from the fusion line.

Other surfaces, which have undergone thermal cutting, shall be treated to comply with the requirements of the approved manufacturing documentation. There must be no signs of gouging.

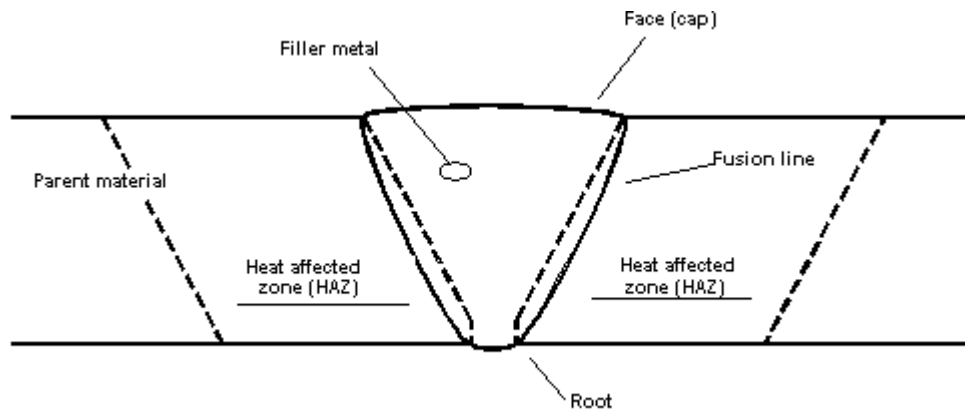


Figure 3-1. Heat affected zone, HAZ

In the event of adverse effects on the mechanical properties resulting from any manufacturing process or from incorrect handling, the properties shall be restored through heat treatment in accordance with a procedure approved by the licensee.

All old weld material and HAZ shall be removed when connecting against existing system or equipment. At cutting shall normally the double HAZ width be removed.

At seal welding and lock welding re-welding can be permitted in HAZ.

3.3.3 Requirements for temporary welds

Temporary supports or other devices may be welded to equipment during manufacturing and installation providing that the material can be identified, is possible to weld and the material is compatible with the base material. After removal of the temporary attachments the weld area in the base material to be marked up and examined with liquid penetrant test or magnetic particle test. The testing to be performed and documented as per KBM requirements.

WPS for temporary welds shall be approved identically as for permanent welds.

3.3.4 Requirements for handling of stainless steels and nickel-based alloys

In order to avoid contamination austenitic stainless steel to be handled totally separately and without contact with carbon steel or low alloy steel.

Only hand tools, files and polishing materials, stainless steel wire brushes etc. designated for working on stainless and nickel-based alloys may be used. Tools such as jigs, fixtures etc. shall be provided with sufficient stainless cladding to prevent contact with other materials such as carbon steel, copper, bronze, lead and zinc.

In addition the following applies:

- Products and components shall have a degree of cleanliness specified by the licensee.
- The concentration of fluoride, chloride and sulphate shall be kept at lowest possible level and at limiting values specified by the respective licensee.
- Care shall be taken to prevent contamination from halogens and carbon steels, copper, zinc, lead, and other heavy metals.
- At blasting clean glass media is preferred that has not been used for blasting of different type of material. If other blasting media is used this has to be approved by the licensee.
- Wire brushes shall be made of the same material group and must not have been used for cleaning of other material.
- External areas not in contact with media a limited number of small paint stains, rust stains and traces of colour marking are permitted.
- Shall not be bundled with band of carbon steel unless use of spacers.
- Shall be stored indoors on clean and dry surface.
- Material of austenitic stainless steel and nickel base alloys must not come into contact with packing material, tape etc. containing in water leachable halogens.

Grinding and blasting of austenitic stainless steels or nickel-based alloys requires the consent of the licensee if the zone in question will subsequently be in contact with primary water at a temperature above 100°C. Polishing or wire brushing as well as glass blasting for removal of the surface oxide is however permitted. Also well sharpened rotating file may be used since this prevents against high surface temperatures. Rotating power wire brushing shall be avoided and may only be used after approval from the licensee. The licensee shall approve all working methods that are used.

3.3.5 Welding

Company that is welding and welders associated with the company shall hold authorization for welding in accordance with requirements of KBM. A supplementary welder site qualification test shall be carried out when the licensee considers this necessary.

Welding of pressure vessels and piping \geq DN50 (\geq 2" NPS) and wall thickness \geq 6 mm in quality class 1 and class 2 systems shall be performed with mechanized welding methods, accessibility for welding shall be regarded. Deviations shall be motivated and accepted by the licensee. This requirement does not apply to welding of nozzles and branch connections welded directly to the main pipe.

The weld filler material shall be adopted to the base material and tested and document according to the requirements of KBM.

At welding of components adjacent to reactor should TIG and MMA be used, however also other welding methods can be permitted e.g. plasma welding and laser welding. Manual metal inert gas welding/metal active gas welding (MIG/MAG) must not be used for internal reactor vessel parts or in quality class 1-3 unless accepted by the licensee.

At welding in quality class 4 and 4A outside the reactor vessel there is no certain acceptance required from the licensee providing that the welding method is well proven within the nuclear power area. Gas welding must not be employed.

At metal-arc welding with coated electrodes in low alloy steels, basic electrodes with hydrogen content H5 or lower to be used.

3.3.6 Fit up and tack welding

Tack welding is permitted in accordance with the following:

- Root tack may remain if longer than $2 \times t$, however, minimum 6 mm if the material thickness of the tack $< 2,0$ mm and the ends are tapered down before welding.
- Carried out with a round bar or bridge and welded to the weld bevel edges and removed by grinding.
- Carried out with clips and welded on both sides outside a finished weld. After welding, the clips shall be ground off and the surface tested with liquid penetrant – or magnetic particle test and documented in accordance with the requirements in KBM.

The requirement of approved welding procedure and authorisation for welding also applies to tack welding.

At manufacturing and installation shall applicable values for edge misalignment, bevelling etc. fulfil requirements of SS-EN ISO 5817. Discrepancies shall be reported and corrected. Permanent discrepancies shall be documented, and submitted to the licensee for assessment, whereupon the work will be corrected or approved.

3.3.7 Weld procedure / welding data sheets (WPS)

The manufacturer shall establish welding procedures (WPS) according to SS-EN ISO 15609-series for the welding operation in question. The welding procedures shall be based on approved WPQR (Welding Procedure Qualification Record) according to applicable part of the SS-EN ISO 15614 or SS-EN ISO 15613 with additional technical requirements requested by the licensee. The welding procedures shall be approved by the licensee.

3.3.8 Certain requirements for weld joints

In respect of external discontinuities and deviations in shape, finished welds in pressure-retaining and load-bearing components shall, as a minimum, comply with the quality level B according to SS-EN ISO 5817.

Pipes DN<10 (< 3/8" NPS), the height of the root reinforcement must not exceed 10 % of the inside diameter of the pipe.

The weld crown shall have a surface roughness of Ra 16 µm or better when the weld is to be examined by ultrasonic testing.

Surfaces adjacent to welds that shall be examined with ultrasonic testing (see figures in Ch. 4.1.2) must not show irregularities such as arc strikes, weld spatter, paint traces or similar.

Weld clad surfaces in low-alloy material to be ultrasonic tested shall have a surface roughness, equal to or better than Ra 16 µm.

Other weld joints shall at least comply with the requirements of quality level C in SS-EN ISO 5817. For painted products also see requirements of chapter 3.5.3.

In addition the following applies to welds in austenitic stainless steels:

Due to the risk of crevice corrosion, design in process media water shall be performed to avoid HAZ in crevice areas. This does not apply to socket welds performed as per chapter 4.1.2.

Welding shall be performed with method minimising sensibilisation.

Welds shall always be purged with shielding gas on the root side. At the welding of lugs or similar from the outside, the pipe to be purged with shield gas alternatively filled with water when the wall thickness is below 12 mm.

Austenitic stainless steel intended for a design temperature above 100°C that is welded or may be repair welded must not be ground without subsequent solution annealing.

Stainless weld surfaces in components to systems for process water shall with regards to oxides fulfil the requirement oxide reference "C" according to appendix 3. In other systems can under certain circumstances "D" be accepted.

For welding in primary water systems with an operating temperature exceeding 100°C the interpass temperature must not exceed 100°C.

At installation in the plants and at manufacture of new components the distance between weld joint edges should be no less than 150 mm and never less than 50 mm.

Pickling and passivation must not be performed without permission from the licensee.

For weld joints between austenitic stainless steel and carbon steel respectively low alloy steel, i.e. dissimilar welds, the following applies:

Weld filler metals shall always be used and the gap between the weld edges shall be >1,5 mm. The root side to be purged with shield gas.

Strive for welding in a workshop and a at horizontal position.

3.3.9 Repair welding of base material

Materials for bolts and nuts must not be weld repaired.

Plastically formed material such as plate, pipe, bar and forging must not be weld repaired unless accepted by the licensee.

Welding procedures are required. Weld repaired areas shall satisfy the requirements on the base material and to be inspected in accordance with approved detailed inspection plan and requirements stipulated in non-conformance report.

Licensee permission is required for extensive repair weld of cast iron or steel casting, the repair procedure shall also be approved by the licensee.

A repair is regarded as extensive if:

- Cast iron and steel castings shows defects that may cause leaks at pressure testing
- The ground out /prepared cavity is deeper than 15 mm or 10% of the wall thickness or any flaw that got an area exceeding 50 cm².

The following requirements applies prior to repair welding:

- Requirements for welding authorisation as per KBM shall be satisfied
- The supplier shall possess weld repair procedure as per the respective case above. The welding procedures shall prior to use be approved by the licensee.

The following applies after performed repair weld:

- All repair welds shall be documented
- The surfaces shall after the repair weld be thoroughly worked over in order to achieve a smooth transition with the surrounding base material
- The repair welded material shall be heat treated in accordance with the requirements in approved material specification/standard
- Repair welded area shall satisfy the requirements of the base material and be inspected as per the requirements of KBM.

3.3.10 Repair of welds

Stainless steels:

- One single weld, in equipment with operation temperature above 100°C, is not allowed to undergo more than three local repair areas. The distance between the areas shall be 50 mm or more.

At more than one repair within the same area is licensee approval required.

In case where additional repairs are not allowed shall the entire weld be cut, new weld bevels to be prepared where the entire heat affected zone (HAZ) shall be removed.

This also applies for dissimilar welds against low-alloyed steel and carbon steel.

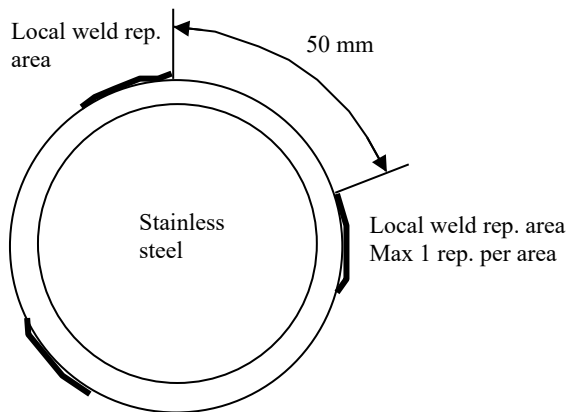


Figure 3-2. Repair of welds in stainless steel

The following applies after performed repair weld:

- All repairs of welds shall be documented
- The repaired material shall be heat treated in accordance with the requirements in approved WPS/standard
- Repair welded area shall satisfy the requirements of the initial weld and be inspected against an inspection plan that is approved by the licensee.

3.3.11 Forming and straightening

All forming and straightening shall be performed prior to final inspection, i.e. prior to visual and dimensional examination and non-destructive testing.

Prior to forming, a forming procedure shall always be approved by the licensee. In the cases where qualification of forming procedure is required, the result of the qualification shall also be approved by the licensee. Procedure and possible qualification reports shall also be included in the documentation that shall be approved by an accredited inspection body.

Data in the applicable material standards regarding forming and data from the material manufacturer shall be observed.

3.3.11.1 Forming Procedure

The manufacturer shall establish procedures for forming, bending, rolling expansion of tubes and major straightening operations. The documentation for the forming shall to applicable extent contain the following:

- Type of forming and straightening, e.g. cutting, preparation of weld bevel, rolling, induction bending, and hot straightening
- Type of material and stock shape
- Dimension of materials
- Work procedure, equipment, cleanliness requirements before and after forming
- Material forming temperature, cooling temperature, equipment for temperature measurement
- The effect of the method upon hardness, microstructure, result of intergranular corrosion testing
- Possible requirements for post-heat treatment
- Requirements for dimension, ovality, surface condition, and permanent cold deformation
- Inspection of finally formed parts.

3.3.11.2 Forming of austenitic stainless steels and certain nickel base alloys

The following requirements apply at forming of pressure retaining austenitic steels and nickel-base alloys of type NiCrFe in water borne systems:

- The material shall be supplied in solution heat-treated condition. Straightening through rolling is accepted providing that the deformation is not exceeding 3% and the hardness is not exceeding 240 HV
- For pipes the deformation in percent $(100 \cdot Dy)/2R$, where Dy is the outside diameter of the pipe and R is the mean bending radius. The deformation must not exceed 3%. For exceptions, see table 3-2 below.
- At bending of pipes \leq DN40 (1½" NPS) the radius to be $\geq 3,5 \cdot Dy$
- Material subjected to inductive forming, hot forming or hot straightening shall be solution annealed after forming
- At induction bending of austenitic stainless steels the forming temperature must not exceed 1050°C. Solution annealing to be performed after inductive bending.

Requirements of heat treating after cold bending of austenitic stainless pipe when deformation exceeds 3% is specified in the below table. For intermediate drainage piping, see chapter 3.1.12, heat treatment is not required.

Pipe dimension	Operation temp. ≤ 100°C	Operation temp. > 100°C	
		Part that can be isolated*	Part that cannot be isolated*
DN < 10 (< 3/8" NPS)	Not required	Not required	Not required
10 ≤ DN ≤ 25 (≥ 3/8"- 1" NPS)	Not required	Not required	Solution annealing
25 < DN ≤ 40 (> 1" - 1½" NPS)	Not required	Solution annealing	Solution annealing

* Part that can be isolated is defined as part where a possible leak can be isolated by valve without need to stop the operation.

Table 3-2. Requirements for heat treating after cold bending of austenitic stainless pipes.

3.3.11.3 Forming of carbon steel and low alloy steels

The following applies at forming of pressure retaining carbon- and low alloy steels:

- Steel subjected to cold deformation exceeding 5 % shall be normalised for avoidance of the risk of harmful embrittlement.
- Cold bending of pipes and pipe fittings may be performed if the mean bending radius $R \geq 4 \cdot D_y$ and $DN \leq 50 / 2$ " NPS (for avoidance of the risk of harmful embrittlement).

3.3.12 Heat treatment

Company performing heat treatment after welding shall fulfil the quality requirements of SS-EN ISO 17663.

Heat treatment shall be performed according to the guidelines of SS-EN 13480-4, SS-EN 13445-4 or according to procedure approved by the licensee. At installation against existing systems in material 15Mo3/16Mo3 thickness $15 \leq t \leq 35$ mm shall the need of heat treatment be evaluated by the manufacturer and to be approved by the licensee.

Heat treatment after welding shall be performed to the extent stated in the welding procedure approved by the licensee. Other heat treatment shall be performed according to respective material standard or as per a heat treatment procedure approved by the licensee.

Heat treatment shall be performed prior to the final inspection.

Where applicable, a heat treatment procedure shall be established by the supplier and shall to applicable extent contain the following:

- Type of heat treatment equipment such as furnace and induction heating equipment
- Type of temperature measuring device, location and number of measuring points
- Recording equipment for temperature and time sequences
- Atmosphere, insulation materials, cleanliness requirements
- Heat treatment range of item with respect to temperature and holding time
- Heating rate

- Cooling rate
- Procedures to be followed in the event of interruption in the heat treatment
- Procedure for pickling when applicable.

Calibration records or similar for temperature measuring and laboratory equipment shall be presented.

Data from the applicable material standard as well as the manufacturer's recommendations relating to heat treatment shall be observed.

Heat treatment procedures shall be approved by the licensee prior to start of heat treatment.

3.3.13 Marking

Pressurised equipment shall to applicable parts be marked as per the requirements of SSMFS 2008:13 4 chapter 12§. Also see requirements of KBM EP 2-, 4-, 6-09.

Manufacturers of equipment and equipment parts shall be responsible that material or items cannot be interchanged and that the relationship between material and certificate is constantly maintained until inspection of the finished equipment or equipment part has been completed and documented by the parties responsible, according to the inspection plan.

When dividing material the supplier is responsible for transferring of marking to all parts.

Marking of material parts or items shall be carried out with a method minimising risk of material mix up, without impact to the function of the component or the material properties. For material thickness < 5 mm a blunt-nosed stamp must not be used.

For pressure retaining details, which due to functional reasons cannot be marked and for small items where only certificate of conformance is required, individual marking may be replaced by package marking and the material to be administrated according to the licensee's QA routines.

3.4 Vibrations

Requirements are set for resonance, imbalance and vibration levels.

These are applicable for safety related components in quality class 1-3 and also for components in quality class 4 and 4A which require a high availability.

For other components a deviation from these requirements may only be possible if the suppliers procedures and guarantees are deemed adequate.

3.4.1 Resonance

- A complete pump unit (motor, pump, gear including foundation) shall be free from resonances that may impact on operation.
This means that no resonances are allowed within the areas of +/- 10Hz from rotational frequency (1xN), twice rotational frequency (2xN), 1 x blade pass frequency, 1 x gear mesh frequency as well as twice grid frequency (100Hz).

3.4.2 Balancing

- Balancing of rotors and rotor parts shall be carried out according to ISO 21940-11. Complete rotor (e.g. shaft, impeller and coupling together) shall be balanced to balance quality grade G2,5.
Individual rotor parts shall be balanced, if possible, to balance quality grade G1,0 (the requirement is however not applicable if the part rotor mass is less than 5% of the complete rotor mass).
NB! When balancing of flexible rotors (first rotor resonance below the operating speed) shall low speed and high speed balancing be carried out according to ISO 21940-11 and ISO 21940-12.
- For rotors with keyways balancing are carried out with half-key convention according to ISO 21940-32.
- If a cardan shaft is used during balancing shall an index test be carried out according to ISO 21940-14, chapter 5.6.
- Balancing plane should exist on installed component in order to enable field balancing.
- Certificate from the balancing shall be presented by the supplier.

3.4.3 Runout and straightness/fitting tolerance

To determine the requirements on runout and requirements on straightness and fitting for rotors and rotor parts in machines are levels according to G6,3 in Figure 2, ISO 21940-11 applicable.

3.4.4 Vibration levels

The requirements on vibrations are applicable to bearing vibrations measured on respective pump or motor unit. Measurement should be presented in vibration velocity mm/s RMS. Measurement shall be carried out in 3 directions, vertical, horizontal and axial. See general requirements for measurement in ISO 20816-1.

Pumps:

- For pumps shall the vibration requirements stated in ISO 10816-7, category 1, zone A be applied.

Electric motors:

- For electric motors > 15kW shall the vibration requirements stated in ISO 10816-3, zone A be applied. (This standard is to be applied for installed electric motors in the plant).
- During fabrication test of motors, not connected, shall requirements according to SS-EN 60034-14, class B be applied.
- For small electric motors \leq 15kW shall requirements according to ISO 20816-1, zone A be applied. However vibration velocity exceeding 1,5 mm/s rms is not allowed.

In order to find any faults that may cause increased vibrations shall, if possible, vibration measurements be performed in all conditions - cold, warm, unloaded and loaded.

During refurbishment of existing machines are vibration requirements according to above mentioned standards allowed to be lowered to zone B meaning "Machines under continuous operation".

3.5 Surface treatment

3.5.1 General

Requirements in plant specific procedure for surface treatment to be applied

The manufacturer shall have routines for cleaning and inspection of cleanliness. The manufacturer shall also present results from performed cleanliness inspection.

It shall be strived for a high degree of cleanliness at all manufacturing steps, at manufacturing and testing, at storing, packaging and transportation. A high degree of cleanliness at manufacturing and intermediate storing is a precaution for the guarantee of a good final cleanliness.

Surfaces shall be free from visible contamination and loose particles. A thin stain free adherent film of oxide on cleaned surfaces developed at heat treatment in oil- or carbon free atmosphere can be accepted, also a very thin layer of rust on carbon steel surfaces can be accepted.

Unless otherwise specified shall the manufacturer present a program to the licensee, containing cleaning, pre-treatment and surface treatment, appropriately performed prior to functional test or pressure- and tightness test.

Pressure and tightness test of piping installations, valves, pumps etc. shall be as per the inspection plan prior to surface treatment.

All surface coating, including corrosion protection and temporary corrosion protection (preservation/transportation protection) shall be performed in accordance with plant specific procedure for surface treatment and with products approved by the licensee.

The risk of hydrogen embrittlement shall be regarded.

3.5.2 Painting-, Corrosivity- and Environment classes

Corrosion protection of equipment at nuclear plants stems from below different classes.

Painting classes:

Class	Examples of areas
I	The Reactor building only
II	The rooms within controlled area
III	The rooms outside controlled area
IV	The areas with high humidity (>90% RH) and areas entirely or from time to time are under water, or from time to time condensed within or outside controlled area
V	Office buildings or similar
VI	Outdoors

Corrosivity classes according to SS-EN ISO 12944-2:

C1	Very low
C2	Low
C3	Medium
C4	High
C5	Very high
CX	Extreme
Im 1	Fresh water
Im 2	Salt- or brackish water
Im 3	Earth

Environment class according to Asea-Atom:

Environment class N1

Normal, dry to moderately humid indoors environment. No risk of condensation on painted area. Corrosivity class C2 according to SS-EN ISO 12944-2.

Environment class N2a

Indoors on surfaces subjected to radioactive contamination and humidity and condense. Corrosivity class C2 and C3 according to SS-EN ISO 12944-2.

Environment class N2b

Indoors on surfaces subjected to radioactive contamination and humidity and condense. Corrosivity class C4 according to SS-EN ISO 12944-2.

Environment class V

Water, unventilated rock ground rooms etc. corresponding corrosivity class C4, C5, CX or Im 1-3 according to SS-EN ISO 12944-2.

Environment class R1

The reactor isolation building, the upper or lower primary area.

Environment class R2

The reactor isolation building condensation area

Environment class U

Outdoors corresponding corrosivity class CX at Ringhals or C4 at Oskarshamn and Forsmark according to SS-EN ISO 12944-2.

3.5.3 Design and pre-treatment

The construction shall be made in order to enable the pre-treatment and application of the corrosion protective primer in a technical correct way. Recommendations in SS-EN ISO 12944-3 to Annex A-D to be regarded. For constructions in a very aggressive environment the class Good as per SS-EN ISO 12944-3 is a minimum requirement.

The object shall be inspected and approved by an individual that is knowledgeable in painting prior to turning it over for painting.

The manufacturing documents shall unambiguously specify the areas to be painted.

Requirements for pre-treatment of non-machined areas:

Non-machined surfaces that after pre-treatment will be surface protected shall satisfy SS-EN ISO 8501-1 as per below:

Minimum rust grade B for internal surfaces in vessels that belongs to coating class IV.

Minimum rust grade C for other areas.

Requirements for surface to be painted:

The surface shall be clean, also clean from chlorides and sulphates, the surface shall be uniform i.e. no weld slag, sharp edges and burrs etc. Welds shall be free from discontinues.

Objects in coating class IV shall satisfy pre-treatment degree P3 and welds quality level B, other coating classes applies pre-treatment degree P2 and quality level C according to SS-EN ISO 8501-3 respectively SS-EN ISO 5817.

Intermittent weld is not permitted for objects in coating class IV.

3.5.4 Painting

Recommendations from paint manufacturer shall be adhered unless otherwise specified in plant specific surface treatment procedure or data sheet for the type of treatment. Paint manufacturer or subcontractor must not alter the relevant procedure without approval from the licensee's chemistry- and environment department. Painting of expansion bolts shall be avoided.

3.5.4.1 *Supplier's standard painting system*

The respective licensee shall provide a document listing the requirements of coating systems and paints.

The supplier's standard coating system can be accepted, all depending of coating- and environment class for the object and area in question.

It shall be ensured that items coated with standard procedure that the coating product / coating system withstands the environment in a nuclear power plant.

New coating product / coating system to be used on steel surfaces must satisfy the relevant requirements of the plant specific coating procedure (dependant on the coating class of the object), see plant specific surface treatment specification e.g.:

- Maximum permitted contents of certain elements
- Resistance against radiation
- Suitability for decontamination
- Resistance against demineralised water
- Fire
- Chemicals

In general coating products / coating systems must not be based on chlorine rubber paints or polyvinyl chloride.

3.5.5 Galvanizing

Zinc and aluminium shall be avoided in the reactor building, see chapter 3.1.4.

Hot dip galvanizing, may to a certain extent be used as an alternative to painted constructions, this applies to details such as grid gratings and grating plates, electrical raceways, ventilation ductwork, steel constructions outdoors and sheet metals in gates (in combination with painting) etc. Hot dip galvanizing shall be performed in accordance with SS-EN ISO 1461:2009, edition 2. Equipment for screening of water inlets and pumps should not contain hot dip galvanized parts.

Spray zinc galvanizing of constructions are evaluated on case by case basis. The purity of the zinc shall be 99,99%. For other details see SS-EN ISO 2063:2005 edition 1. Spray zinc galvanizing is inappropriate in controlled area.

Electro galvanizing should only be chosen for standard products available as stock items and are intended for dry areas. Electro galvanizing shall satisfy SS-EN ISO 2081:2008, edition 1 Service condition 2 and for threaded steel items SS-EN ISO 4042 edition 1 or equivalent standard applies. Electro galvanizing should be avoided for fasteners. There is risk of hydrogen embrittlement at electro galvanizing.

3.5.6 Rubber lining

At the choice of rubber lining of pipes and equipment the suitability of the lining with regard to ionising radiation shall always be considered.

The supplier shall provide a thorough specification of the rubber material and the rubber lining for the approval by the licensee. The rubber lining work shall be documented by the manufacturer.

Surfaces to be rubber lined must not have a rust degree worse than B and satisfy the pre-treatment Sa3 according to SS-EN ISO 8501-1. Surfaces to be rubber lined must not be pressure tested with sea water. The pressure testing of pipes and equipment shall be finalized prior to initiation of pre-treatment. The Thickness of the rubber lining shall normally be $4 \pm 0,4$ mm.

The licensee shall provide requirements for maximum levels of material leachable substances.

3.5.6.1 *Temporary corrosion protection*

The supplier shall, if requested by the licensee, prior to delivery provide a program for temporary corrosion protection (preservation and transportation protection) for piping and equipment. Impact on rubber details shall be considered.

3.5.7 Storage and Transport

Transport and delivery of components to the plant shall be carried out under such conditions and with such packaging that the risks of damages, corrosion and contamination are avoided. Nozzles and machined surfaces must be particularly well protected. Unless otherwise agreed between the supplier and the licensee shall equipment at delivery be completely dry and cleaned, see chapter 3.5.

Painted products shall be stored in well protected environment, this to achieve optimal quality of the painting system and to facilitate sequential chemical curing. Painted details must not be handled if imperfections may occur. Transportation may not take place prior to complete drying of the paint (in accordance with the paint manufacturer's data sheet) nor if the environment at curing process not is satisfying the specified requirements. If doubts the licensee to be contacted.

All openings shall be covered and sealed with suitable plugs or covers of material free from halogens. Sealing shall be carried out immediately after cleanliness inspection.

3.6 Documentation

3.6.1 Necessary documentation at tender

In order to satisfy the licensee's requested data in the invitation for tender shall the tenderer submit a complete documentation package in the form of drawings, brochures, documents for the scope of inspection etc.

In the tender documents it shall be specified whether the equipment in some respect deviates from the requirements in the TBM and the request for tender. The tender documents shall also include data of limitations of the inspection scope or any desire to use other inspection methods than those stated in the KBM submitted by the licensee.

3.6.2 Documentation required prior to manufacturing

The below data shall be sent to the licensee for approval:

- Drawings and calculations according to the TBM and KBM requirements
- Procedures for welding, forming and heat treatment
- Complementary component data to the delivered component specification
- Other procedures requested by the licensee.

The drawings shall at least include the data specified in the equipment specific requirements in chapter 4 and in prescribed codes and standards.

The manufacturer shall be responsible for the listing of all approved design and manufacturing documentation in a document index, where the document titles and numbers with the valid revision are clearly evident. This list of applicable design and manufacturing documents shall be kept current by the manufacturer during the entire manufacturing process and be part of the final documentation.

In addition shall detailed inspection documentation be submitted to the licensee to an extent specified in KBM.

4 EQUIPMENT SPECIFIC REGULATIONS

4.1 Piping

4.1.1 General

When the supplier shall be responsible for the detailed design, he shall submit drawings and calculations for material thicknesses according to requirements stated below. All the manufacturing drawings and any calculations produced by the supplier shall be approved by the licensee.

Piping should be made as isometric drawings.

Main dimensions, weld bevels, tolerances, corrosion allowances shall conform to the piping specification and drawings. Deviations shall be approved in writing by the licensee.

Pipes and fittings of quality classes 1 and 2 should be seamless.

The tolerances on prefabricated erection units shall satisfy the requirements in SS-EN ISO 13920 class C. If closer tolerances are required, this will be evident from the licensee's requirements.

Tolerances for installed piping shall satisfy ASME III appendix T. If more stringent tolerances are required this to be evident from the licensee documents.

4.1.2 Weld joints

The number of weld joints shall be minimised.

Weld joints in steel should be configured according to SS-EN ISO 9692-1 or according to the licensee's requirements.

For dissimilar joints, there shall be a gap of at least 1,5 mm between the weld ends before start of the welding and the welding should be made in a horizontal position and if possible in bench.

Any buttering at manufacturing or assembling shall be evident from drawing or WPS.

If a measurement report for erection joints to existing installation are enclosed in the piping specification, the pipe end to be connected to be adjusted to these dimensions to maintain the permissible edge misalignment.

Socket weld:

After the licensee's approval socket welds can be used. These shall then be designed as per Figure 4-1.

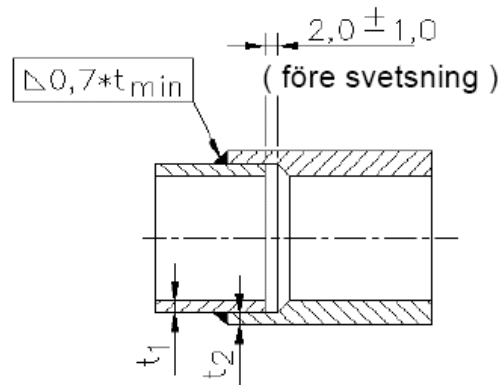


Figure 4-1. Socket weld

Misalignment:

At the welding of circumferential welds in quality class 1 and 2 the permissible values for edge misalignment, tapering etc. to satisfy Figure 4-2. Both cases may be combined.

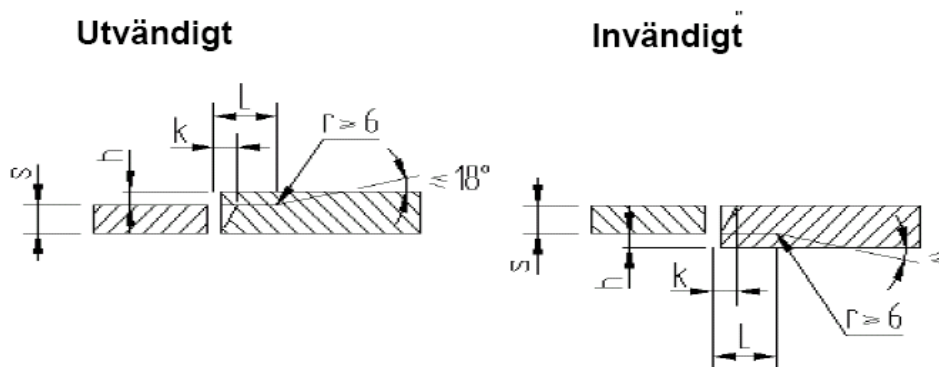


Figure 4-2. Weld edge misalignment external and internal

Permissible edge misalignment (values in mm)

External	$s \leq 5$	$h \leq 0.5 \cdot s$, however max 1 mm
	$s > 5$	$h \leq 0.2 \cdot s$, however max 2 mm
Internal	$s \leq 5$	$h \leq 0.5 \cdot s$, however max 1 mm
	$s > 5$	$h \leq 0.05 \cdot (s - 5) + 1$, however max 2 mm

h = internal and external edge misalignment

s = thinnest wall thickness

k = half the joint width

L = distance between the joint center and the start of the taper

r = radius between taper and L

When machining is required the following values for objects which are not subject to in-service inspection:

- external
- Taper $\leq 18^\circ$
 - $r \geq 6$
 - $L = k$, if $h \leq 5$
 - $L \geq k + 10$, in other cases

- Internal
- Taper $\leq 14^\circ$
 - $r \geq 6$
 - $L = 1/2$ gap, if $h \leq 3$
 - $L \geq 10$, in other cases

Tapering for in-service inspection:

If machining is required (see Figures 4-3 – 4-7) the items that are subjected to in-service inspection shall be capable to examination with either Pulse Echo (UT) or Phase Array (PAUT) according to the qualified ultrasonic procedures. The method to be applied depends on types of possible damage mechanisms and material. The selection of method impacts the distance F in below form, due to this reason the geometrical shape has to be determined on a case by case basis.

At tapering adjacent to butt weld joints the design rules for external and internal taper to be satisfied (Figure 4-3 and 4-5) unless otherwise agreed.

The following units are utilised in the Figures 4-3 – 4-7:

r = radius between taper and a-measure or b-measure in mm

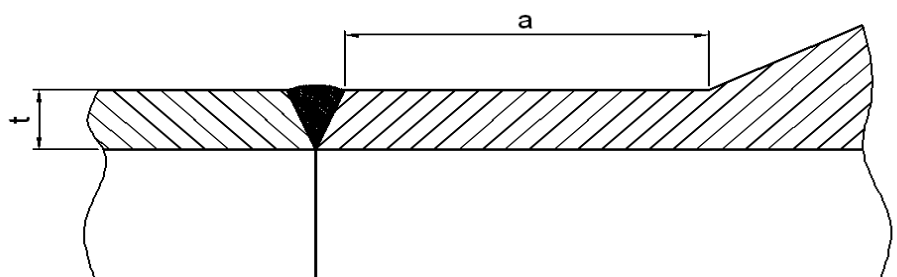
a- and b-measure = necessary distance for in-service inspection in mm

t , t_1 and t_2 = wall thickness

F = distance between the point for the out-signal and the backside of the transducer (in general the value of 13 mm is used)

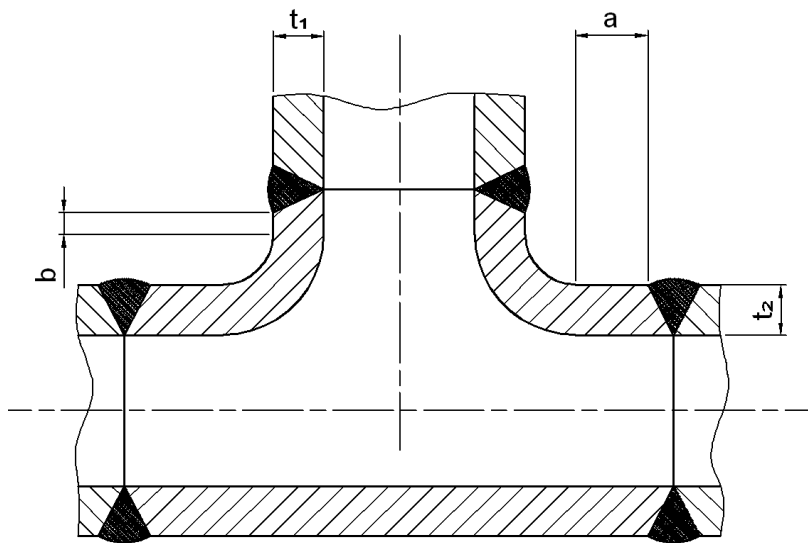
When Phase Array is used for ultrasonic test shall $F=52$ mm be applied when $6.0 < t < 11$ and $F=70$ be applied when $11 < t < 40$.

k = half the joint width



$3,9 \leq t \leq 6,0$	$a = 3 \cdot t + 25 + F$
$6,0 < t \leq 11$	$a = 3 \cdot t + 15 + F$
$11 < t \leq 40$	$a = 3 \cdot t + 10 + F$

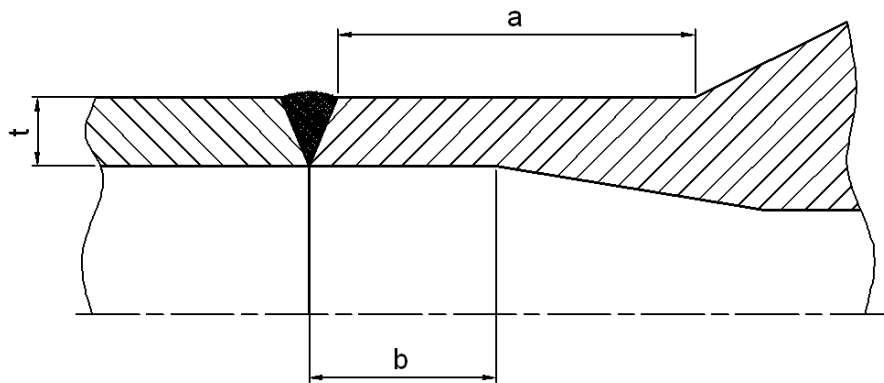
Figure 4-3. Minimum external straight distance from weld joint



Requirement: $\Delta T < 100 \text{ }^\circ\text{C}$

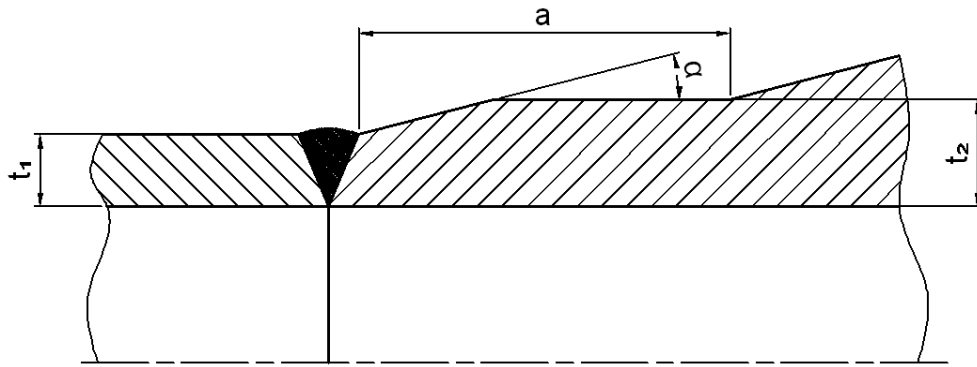
$3,9 \leq t \leq 6,0$	$a = 3 \cdot t_2 + 25 + F$	$b = 3 \cdot t_1 + 25 + F$
$6,0 < t \leq 11$	$a = 3 \cdot t_2 + 15 + F$	$b = 3 \cdot t_1 + 15 + F$
$11 < t \leq 40$	$a = 3 \cdot t_2 + 10 + F$	$b = 3 \cdot t_1 + 10 + F$

Figure 4-4. Minimum straight distance at welding of T-piece



$3,9 \leq t \leq 6,0$	$a = 3 \cdot t + 25 + F$	$b = 25 + F$
$6,0 < t \leq 11$	$a = 3 \cdot t + 15 + F$	$b = 15 + F$
$11 < t \leq 40$	$a = 3 \cdot t + 10 + F$	$b = 10 + F$

Figure 4-5. Minimum straight distance from weld joint



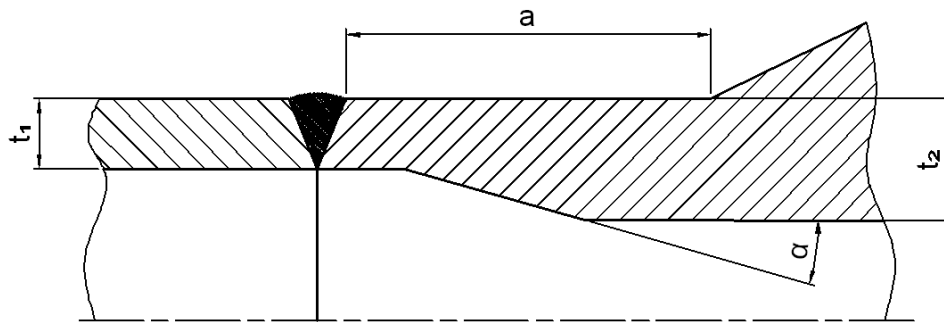
Requirement: $\alpha \leq 18^\circ$

$$3,9 \leq t_1 \leq 6,0 \quad a = 3 \cdot t_2 + 25 + F$$

$$6,0 < t_1 \leq 11 \quad a = 3 \cdot t_2 + 15 + F$$

$$11 < t_1 \leq 40 \quad a = 3 \cdot t_2 + 10 + F$$

Figure 4-6. Maximum external angle of taper at weld joint



Requirement: $\alpha \leq 14^\circ$

$$3,9 \leq t_1 \leq 6,0 \quad a = 3 \cdot t_2 + 25 + F$$

$$6,0 < t_1 \leq 11 \quad a = 3 \cdot t_2 + 15 + F$$

$$11 < t_1 \leq 40 \quad a = 3 \cdot t_2 + 10 + F$$

Figure 4-7. Maximum internal angle of taper at weld joint

In addition to this the following general recommendations can be made:

1. These design rules are general and optimisation of a- and b-measures may be done by variation of the angle and transducer design according to the requirements in the procedure. When required the respectively quality department to be contacted to obtain information.
2. When designing tee pieces, which will be inspected, concerning thermal fatigue contact should be taken with the quality department/test laboratory for discussions about the geometric design.
3. Full volumetric inspection may be required at risk of mechanical fatigue. Therefore inside and outside taper should be avoided at immediate connection to the weld joint since this will complicate the inspection.
4. At new installation the weld crown on the outside of the item should be ground flush with the center of the weld clearly marked.

4.1.3 Design of seals in flanged connections

The requirements on tightness in relation to the surroundings are expressed by the tightness class P, S and K. For design of sealing at different tightness classes see appendix 4.

4.1.4 Threaded connections

Threaded pipe fittings may only be used to a limited extent (swage ring couplings and compression ring couplings are not regarded as threaded pipe fittings).

See appendix 4 for permissible threaded pipe fittings in the respective tightness classes.

4.2 Pipe fittings

4.2.1 Branch connections

Unless otherwise specified, the design shall be selected according to table 4-1 below:

Quality class	Nominal diameter of the branch connection	Design temperature °C	Permissible types for the ratio d_i/D_i :		
			$\leq 0,5$	$\leq 0,8$	$\leq 1,0$
1, 2	≤ 100 ($\leq 4''$ NPS)	-	T1, T4 A1, A2, A3	T1, T4, A1	T1
	> 100 ($> 4''$ NPS)	-	T1, T4, A1	T1, A1	T1
3, 4A, 4	-	>120	T1, T2, T3, T4, A1, A2, A3, A4	T1, T2, T3, T4, A1	T1, T2, T3
	-	≤ 120	T1, T2, T3, T4, A1, A2, A3, A4	T1, T2, T3, T4, A1, A2, A3, A4	T1, T2, T3, A4

Table 4–1. Tee pieces and branch connections at different dimensions and temperatures.

d_i = inside diameter of the branch connection

D_i = inside diameter of the main pipe

T1- T4 = Tee with fixed overall length and is connected by circular joints to the main pipe and the branch pipe. The material thickness is normally greater than that of the main pipe.

A1-A4 = Connection of nozzle or branch welded directly to the main pipe.

Table 4-2 and 4-3 specifies the requirements for calculation and reporting for the different types of branch connections.

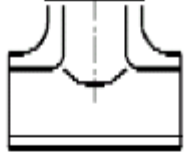
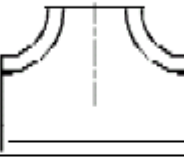
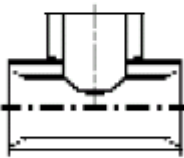
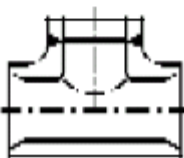
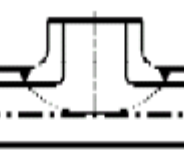

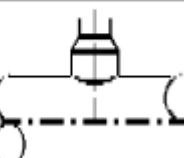
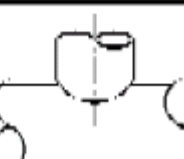
Type of branch connection	Description	Requirement for quality class			
		1	2	3, 4A, 4, AFS	
				T > 120	T ≤ 120
T1 	Seamless Tee piece, forged or wrought.	K5 B1 D1	K5 B2 D1	K5 B2 D2	K5 B2 D2
T2 	Seamless Tee piece wrought out of plate and welded.	- - -	- - -	K5 B2 D2	K5 B2 D2
T3 	Tee piece with welded branch. Made of seamless pipe.	- - -	- - -	K3 B2	K4 B2
T4 	Tee with extruded branch. Made of seamless pipe. In class 3, 4A, 4 longitudinally welded pipe is allowed as the raw material.	K2 B1 D1	K4 B2 D1	K4 B2 D2	K4 B2 D2
A1 	Sweepolet	K5 B1 D1	K5 B2 D1	K5 B2 D2	K5 B2 D2
A2 	Extruded branch connection	K2 B1 D1	K4 B2 D1	K4 B2 D2	K4 B2 D2
A3 	Welded nozzle, with wall thickness which is greater than that of the branch connection.	K1 B1 D1	K3 B2 D1	K3 B2 D2	K4 B2 D2
A4 	Branch pipe welded directly to the main pipe.	- - -	- - -	K3 B2 D2	K4 B2 D2

Table 4-2. Design and requirements for Tee pieces and branch connections

	Legend	Description of requirement
Design	K1	Geometrical requirements according to ASME III, NB-3683.8 shall be satisfied. If not possible, an investigation according to NB-3681 (d) is required.
	K2	The geometrical requirements according to ASME III, NB-3643.3 (f) shall be satisfied.
	K3	Geometrical requirements according to ASME III, NC-3643 shall be satisfied. If not possible, an investigation according to NC-3673.2 (b) is required.
	K4	Geometrical requirements according to SS-EN 13480-3 chapter 8 shall be satisfied.
	K5	Shall be performed according to a well proven manufacturer's standard.
Calculation	B1	Calculation of the material thickness shall be performed, demonstrating that requirements according to ASME III NB-3643 are satisfied. In the case of irregular reinforcement areas, which may occur, e.g. for T1 and A1, the method according to NB-3545 may be used.
	B2	In class 2 and 3, the supplier shall carry out calculation of the material thickness, demonstrating that the requirements according to ASME III NC-3543 respective ND-3643 are fulfilled. For classes 4 and 4A shall the supplier perform a calculation of the material thickness, according to SS-EN 13480. Calculations are not required in classes 3, 4A or 4 when approval based on type review according to D2 below has been submitted.
Documentation	D1	The supplier shall submit drawings specifying the materials, calculation data, strength values and all dimensions necessary for strength calculations and manufacturing inspection. The supplier shall also submit the strength calculations carried out.
	D2	The supplier shall submit certificates from type approval certificates, issued by an accredited inspection body (in the absence of type review approval, according to D1).

Table 4-3. List of requirements for Tee pieces and branches.

4.2.2 Elbows and bent pipes

In order to minimise the number of welded joints bent pipes should be used as extensively as possible, primarily in classes 1 and 2.

In order to avoid local weak sections shall the nominal wall thickness of elbows be at least equal to the wall thickness of the connected pipes.

When determining acceptable material thicknesses for elbows in quality class 1 and other calculated according to ASME, the value t_{m-A} according to ASME III, NB-3641.1, formula (1) (and corresponding formulas in NC or ND) is thereby used instead of s_{min} .

For elbows the required material thickness may be less than the required within a distance of $0,7 * (D_y * s_{nom})^{1/2}$ from the weld joint when necessary for alignment with the connecting pipe.

D_y = the nominal outside diameter of the elbow

s_{nom} = the nominal material thickness of the elbow

The ovality of bent pipes and elbows shall in all sections be lower than or equal to 8 %.
The ovality is defined as:

$$O = (D_{\max} - D_{\min}) * 100 / D_y$$

where D_{\max} = largest outside diameter at a specific section

D_{\min} = smallest outside diameter at the same section

D_y = nominal outside diameter

The supplier shall submit drawings, specifying the materials and calculation data, and all dimensions necessary for strength calculations and manufacturing inspection. The supplier shall also submit strength calculations showing that the requirements are satisfied. This documentation can be replaced by a type inspection certificate, issued by accredited inspection body.

4.2.3 Reducers

Reducers are normally made as a conical transition piece with fillets. In the design work, care shall be taken to ensure that the reducer will not cause an unnecessarily high exceeding of stress in the piping. This is achieved by:

- Large fillet radius. For reducers in class 1 the radius of the fillets should not fall below $0.1 * D_{y\max}$
- Moderate cone angle. At least the conditions according to ASME III shall be fulfilled, i.e. $\alpha \leq 60^\circ$ in class 1 respectively $\alpha \leq 70^\circ$ in class 2, 3, 4A and 4
- Cylindrical transition pieces to the connecting pipes. Compare the measurements L_1 and L_2 in figure NB-3683.6-1 in ASME III.

Reducers without fillet with $DN > 50 / 2''$ NPS (large end) may only occur in piping in class 2, 3, 4A and 4 with calculation data not exceeding 2 MPa or 200 C°.

Wall thickness calculation for reducers is performed according to SS-EN 13480 or ASME III-NC.

The supplier shall submit drawings, specifying the materials and design data, and all dimensions necessary for strength calculations and manufacturing inspection. The supplier shall also submit strength calculations demonstrating that the requirements according to the above mentioned calculation of s_{\min} are satisfied.

This documentation can be replaced with type inspection certificate issued by an accredited inspection body.

4.2.4 Flanged connections

Primarily shall standard flanges of forged type be used, designed for butt welding to the connecting pipe. Plain weld flanges and slip on flanges should only be employed in piping of classes 3, 4A and 4. For such flanges shall the dimensions of welds and other parts according to ASME III appendix XI Fig XI-3120-1 be considered and dimensions shall be specified on the drawing.

In flanged connections of carbon steel, bolts and nuts shall be made of carbon steel. Flanged connections of stainless steel may have bolts and nuts of stainless or galvanized carbon steel, however, when choosing carbon steel bolts, the different coefficients of linear expansion shall be regarded. Washers shall normally be used under nuts (in certain designs under bolt heads or under both bolt heads and nuts).

The regulations for bolted joints and seals design are found in chapter 3.1.13 and 4.1.3.

Depending on the quality class, flanged connections are calculated according to the requirements in ASME III or SS-EN 13480.

In cases when the pipe forces are unknown at sizing of flanged connections, 75 % at most of the maximum allowed pressure should be used in order to obtain a reasonable margin for pipe forces.

Pipe flanges (standard) shall be marked according to SS-EN 1092-1 or similar standard.

If the dimensions not complies to well recognised standard shall the supplier submit drawings, specifying the materials, (including gasket) bolting forces and tightening torques and dimensions necessary for strength calculations and manufacturing inspection. At request the supplier shall also demonstrate calculations for bolting forces or tightening torques.

4.2.5 Caps in pipe system

Caps will normally be deeply dished, i.e. either in the form of an ellipsoidal cap or as an equal torispherical cap.

Flat caps >DN50/2"NPS may be used only for piping of quality class 2, 3, 4A and 4 with design data not exceeding 2 MPa or 200°C and also as temporary seals in other systems, e.g. at pressure testing of a system section.

Caps in quality class 1 shall be calculated according to ASME III NB-3200.

Caps in quality class 2 shall be calculated according to ASME III NC-3224.

Caps in quality class 3 shall be calculated according to ASME III ND-3224 or ND-3325.

Caps in quality class 4A and 4 shall be calculated according to SS-EN 13480.

The supplier shall submit drawings, specifying the materials and design data, and all dimensions necessary for strength calculations and manufacturing inspection. The supplier shall also submit strength calculations demonstrating that the requirements are satisfied. This documentation can be replaced with a type inspection certificate, issued by accredited inspection body.

4.2.6 Welded lugs on steel pipes

Stop lugs shall be welded to pipes where axial fix points of supports, insulation etc. is required. The recommended design of lugs and requirements and limitations for their use is found in table 4-4. Lugs in quality class 1-3 shall be calculated with regard to mechanical strength, this can be performed according to ASME III Appendix Y. For quality class 4 and 4A should SS-EN 13480-3 be considered.

Where several lugs are installed at a fix point, they shall in principle be oriented according to Figure 4-8. Care shall also be taken to ensure that lugs do not interfere with the bolts for tightening of clamps.

If possible, lugs should be mounted to be in contact with clamp element secured to the guide foot. If the lug is fitted to the removable half of the clamp, the force transmitted to the foot will act unfavourably and uncontrolled.

Lugs are normally required on pipes > DN50 (>2" NPS). Where lugs are required on pipes with a wall thickness less than the specified 2.9 mm shown in table 4-4 the thickness of the lug and the permissible load should be reduced to such an extent that favourable welding conditions are retained, thus avoiding a tendency to sink down due to material shrinkage of the material.

When lugs are to be welded at installation, care must be taken to ensure that that the clamps can be dismantled sufficiently in order to enable welding, cleaning and possible painting.

Lugs shall be located in such a way that they enable access to weld joints for the inspection method in question at in-service inspection.

Permitted load per lug (kN)	Thickness of tube wall (mm)	L (mm)	h (mm)	b (mm)	R (mm)
3	$\geq 2,9$	30	15	6	6
8	2,9-5,9	60	15	6	6
20	5,9-10	60	20	15	10
30	>10	60	20	15	10
70/150*	12,5-14	125	25	25	18
70/210*	>14	125	25	25	18

* The higher values applies to "Faulted condition"

Table 4-4. Guidance values for permitted loads and sizing of weld lugs.

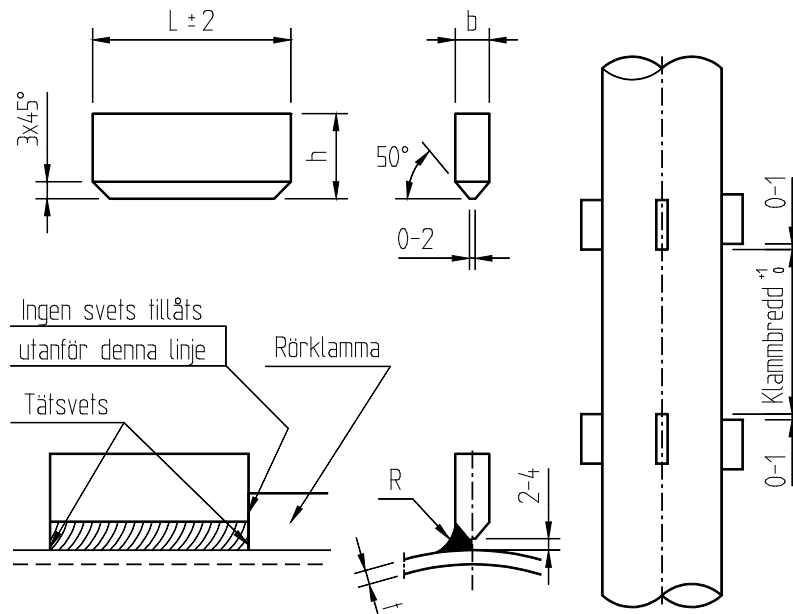


Figure 4-8. Weld lugs on steel pipes

4.2.7 Other pipe fittings

Other pipe fittings not covered by chapter 4.2.2 to 4.2.6 shall be designed, calculated and documented according to similar principles. In doubtful cases, the licensee shall be contacted for determining detailed requirements.

4.3 Valves

4.3.1 Introduction

This TBM part contains the requirements for valves of quality class 1, 2, 3, 4A and 4. Detailed data for the respective valves are given in the valve specification according to form TSM 102-104.

4.3.2 Material restrictions

4.3.2.1 *Material for valve bodies and internal parts*

At the use of stainless castings for valve bodies limitations according to chapter 3.1.8 applies. Stainless valves in quality class 1 and 2 shall be manufactured from forged material.

Duplex stainless steel shall have a molybdenum content of minimum 3 %* and a ferrite content of 30-70 %. The composition shall in addition satisfy the PRE criteria (Pitting Resistance Equivalent) ≥ 37 , whereas PRE is calculated according to the following formula: $PRE = Cr + 3,3xMo + 16xN$.

* For Ringhals, duplex stainless steels shall have a molybdenum content of minimum 4 %.

In valve spindles of martensitic stainless steel shall the chromium (Cr) content be $>12\%$. Steels of this type is however sensitive for hydrogen embrittlement if the strength is high, therefore shall certain caution be taken at contact with water or steam.

The hardness of valve spindles made of tempered martensitic stainless steel shall not exceed 300 HV.

For systems in contact with reactor media where the water is not first passing an ion exchanger globe, seat or other internal parts must not consist of or be lined with alloys with a cobalt content exceeding 0,20%. To achieve an effective hard facing in valve (globe and seat) a slightly higher cobalt content may be accepted, see chapter 3.1.1

For other applications may however cobalt based alloys be used.

Supplier of globe, seat or other internals shall specify the relevant function data for the application in question, including references for materials at friction- and sealing surfaces.

4.3.2.2 *Gasket material – stuffing box packing*

In stuffing boxes expanded graphite shall normally be used unless otherwise specified by the licensee. For applications where high radiation doses can be expected shall pure expanded graphite be used.

Graphite may however not be used for systems in contact with salt water since this increases the risk of galvanic corrosion in adjacent equipment. PTFE packing shall be used in valves for salt water.

The total in water leachable content at 100°C of organically and inorganically bonded chlorides and fluorides, sulphate and antimony must not exceed 150 mg per kg and for gaskets of pure graphite 50 mg per kg.

4.3.2.3 *Lubricants*

Sulphuric lubricants e.g. molybdenum disulphide must not be used in austenitic stainless valves in humid environment and temperatures exceeding 100° C. Graphite based or graphite nickel based lubricants shall primarily be used. Lubricants used must be classified, approved and registered in the chemicals data base of the respective plant. For calculation of compression force in bolted connections, lubricants friction value to be specified.

4.3.3 Design and calculation

4.3.3.1 General design requirements

The licensee can define the conditions of the valve application in one of the forms TSM 102-104 and the supplier shall adopt his design to satisfy the data specified in the form and be responsible for the interaction between actuator and valve.

Unless otherwise specified shall bellows for bellow seal shall be capable of withstanding 5000 cycles at operation temperature (max 10 % break probability).

C_v -, K_v - or z-values according to SS-EN 1267, SS-EN 60534-1, SS-EN 60534-2-1, VDI/VDE 2173 or ISA S 75.01 shall be reported. The value shall be specified with dimension.

Valve characteristics shall be reported.

The supplier shall specify the opening and closing torque for motor operated valves at all applicable operation- and accident situations used at the dimensioning of the valve. Additionally, the highest permitted torque (at failing switch) to be specified for opening as well as closing.

All valves shall be designed with consideration of facilitate maintenance and dismantling. Particular care shall be given to all components, which directly or indirectly affect the reliability of the valve. Valves weighing over 25 kilos shall be furnished with lifting eye bolts and lifting aspects to be regarded.

The valve including support or similar shall be designed without crevices and pockets to minimise the risk of corrosion and to facilitate application of an effective corrosion protection e.g. painting, galvanising or rubber-lining.

Valves, which can be subjected to in-service inspection, shall be of a geometric shape and surface finish that the welded joints can be completely volumetrically tested. Only when this is obviously unrealistic, it may be assumed that the volumetric test will be replaced with other method, which in that case shall be specified.

Areas in valve bodies that can be subjected to corrosion or erosion attacks shall be possible to measure the material thickness from the outside. The licensee specifies the valves comprised by this requirement.

All carbon steel surfaces in contact with medium shall be provided with a corrosion allowance of at least 1 mm, unless otherwise stated in the valve specification.

Valve bodies shall be of such strength that the connecting pipes, and not the valve itself, will be the limiting factor for the loads in the piping. To achieve this, the following conditions shall be satisfied:

- Except for weld ends the cross-sectional area and the section module of each cross section perpendicular to the direction of flow shall be at least 25 % greater than the corresponding values for the connected pipes
- The yield strength of the material in the valve body shall, if possible, be at least as large as that of the material of the connected pipes. If the yield strength of the of the valve body material is lower than that of the pipe material, the necessary section module and cross-sectional area mentioned above shall be multiplied by the ratio of the pipe material yield strength to valve material yield strength
- The yield strength of the weld ends shall be at least as high as that of the connected pipes
- Any deviations from the above conditions must be evident in the tender documentation. For valves in quality class 1 the S_m -value shall be used instead of the yield strength.

All valves provided with stems with the exception of safety valves shall normally be capable of being mounted in any position. Any limitation in this respect must always be stated in the quotation.

Threaded joints, important for the function of the valve, shall normally be provided with a device for locking the thread mechanically. This device must not increase the risk of galling and shall be designed to always permit re-use of the threaded joint. The risk of galling shall generally be observed and the principles e.g. differences in hardness that are applied shall be clearly defined.

The direction of rotation for a hand wheel or wheel on an actuator shall always be clockwise to shut the valve. This applies also if the valve is link controlled.

If the function of the valve is dependant on the direction of flow this shall be evident from a permanent marking on the valve body, by means of an arrow or similar.

Lantern rings and spacer rings in double stuffing boxes shall be made of stainless steel or carbon/carbon graphite. Selected material shall be accepted by the licensee. Threaded holes for an extraction tool shall always be provided.

Pneumatically actuated valves shall always back-seat in the fully open position, unless otherwise specified.

Valves shall be designed to prevent harmful vibrations in globe and stem.

Isolation valves shall be possible to equip with a continuous, mechanical position indicator unless the design of the valve is such that the valve position is evident. Open or closed valve shall always be possible to read. It shall in addition be possible to equip the valve with micro switches in "open" or "closed" position. The devices for position indication shall be robust in order to obtain distinct indications.

Valves with stuffing box gland or stuffing box nut shall include provision for after-tightening the stuffing box packing without the need for dismantling parts of the valve or the actuator. Replacement of stuffing box packing shall be possible without dismantling the valve bonnet, actuator etc.

Hardened washers with hardness > 200 HV should be used under bonnet and gland nuts to optimize torque/force transmission at tightening.

Surface finish for valve stems of this part of the gland shall be so fine (usually $\leq R_a 0.4 \mu\text{m}$ for graphite tightening) that the wear is minimised on the stuffing box rings and not have machining marks perpendicular to the direction of the stem movement.

4.3.3.2 Connections

Connections shall be adapted to the connecting pipes. The sizes of connecting pipes are specified in the valve specification.

Location of nozzles for drain, over pressure protection and tightness testing to be separately specified.

For flanged connections the following applies:

- For quality classes 1 and 2 standard flanges must be of at least pressure class PN 16/150# even if the design pressure is lower. For quality classes 3 and 4A pressure class PN 10/150# is correspondingly applicable.
- If the design temperature exceeds 200°C shall bolts and both the mating flanges be made of material with the same coefficient of linear expansion. However, carbon steel bolts may

be used in stainless flanges if a suitable compensation is arranged for the difference in the coefficient of linear expansion.

- The risk for unloading (leakage) or overloading of gaskets and bolts shall be particularly regarded at flange joints subjected to temperature changes
- Washers shall normally be used under nuts. (In certain designs under bolt heads or under both bolt heads and nuts)
- Regulations for bolted joints are specified in chapter 3.1.13.

4.3.3.3 Design of seals

The tightness requirement in relation to the surroundings is expressed in the valve specification by stating the tightness class. Type of spindle seals as well as other requirements on design of seals for valves belonging to the different tightness classes is stated in respective valve specification. For design of sealing at different tightness classes see appendix 4.

4.3.3.4 Strength calculations

The design data and loads required for design and strength calculations of valves are specified by the purchaser in the valve specification and its appendices.

All calculations shall be reported in a clear and legible manner with sources, references, drawings, part numbers etc. The documentation shall be reviewable. Earlier performed calculations demonstrating that the valve is acceptable for loads that are higher than those specified may be used.

Valves with large eccentric mass must be reviewed regarding loads caused due to the eccentricity.

Valve parts shall be divided into categories 1, 2, 3, 4 and 5 according to the detailed instructions below:

- Category 1 includes pressure retaining casing, i.e. body, bonnet, globe and parts welded to the valve, such as nozzles etc.
- Category 2 includes pressure-retaining threaded joints, i.e. generally joints between valve bodies and bonnets or between valve bodies and covers
- Category 3 includes internal and external valve fittings, primarily load bearing without therefore belonging to the pressure-retaining shell, e.g. stem (in ball valves also the trunnion), load bearing connection between stem and the disc (gate), load bearing ring for pressure sealing cover, guide for gate, seat ring (if it is primarily load bearing), gland flange and gland bolts
- Category 4 includes springs of importance for the function of the valve e.g. spring in pneumatic actuator, return springs in valves media activated valves and springs for seat rings in ball valves
- Category 5 includes the yoke with fastening equipment.

At strength calculation of motor operated valves shall category 1 and 2 be designed against actuation forces at failing torque/limit switch at 110% power supply (breakdown torque / stall torque). This needs not to be combined with other accident loads but with loads at design pressure and design temperature.

4.3.3.5 Design of valves in quality class 1

Loads within the limits corresponding to “Design Loadings“ and “Level A“ and “Level B“ according to ASME III NB-3220 shall not influence the function and tightness of a valve.

Calculations shall be performed for transient loads according to ASME III NB-3500 or NB-3200.

Category 1 parts shall satisfy applicable parts of ASME III NB-3500.

The S_m -value shall be based on ASME II D Appendix 2.

At determining the minimum wall thickness according to ASME III NB-3543, the material used shall be compared with an "ASME material" with equivalent strength values.

Category 2 parts shall fulfil ASME III NB-3546.1.

Permissible bolt stress for “Design Conditions“ and thereby necessary bolt area according to ASME III XI-3222 deviates from European practice and in cases where this could cause extensive modifications of valve types normally used, it can be accepted that S_a and S_b according to ASME XI-3222 is replaced by other recognised bolt stress referring to code or standard accepted by the licensee. S_a in ASME XI-3223, equation (4), shall thereby naturally also be replaced.

Calculation of the necessary bolt forces and tightening torque for bolted joints in category 2 shall be included in the calculation report.

For parts of category 3 an analysis of primary stresses shall demonstrate that the conditions in ASME III NB-3546 are satisfied with respect to all mechanical loads. Section loads are determined with simple equilibrium relationship. The stresses are calculated with elementary formulas for normal or bend stresses. Local stresses caused by contact pressure in e.g. seat surfaces need not thus be reported.

For parts of categories 4 and 5, an analysis shall be reported to demonstrate that they are adequate for the application in question. The analysis shall include an evaluation of overload and fatigue risks.

4.3.3.6 Design of valves in quality classes 2 or 3

For valves in quality class 2 or 3 shall calculations or other documentation be presented to verify that the dimensions of parts of category 1 and 2 are acceptable with regard to design data. ASME Section III, NB-3543 and NB-3545.1 or other acceptable, verified method should be used for calculations. Other documentation may consist of, e.g. results from stress measurements.

Flange joints shall be evaluated against ASME III-NC, ASME III-ND or SS-EN 13480.

For valves in quality class 2 and 3, shall also a verification be perform to demonstrate that the parts of categories 3, 4 and 5 are acceptable for the application in question.

4.3.3.7 Design of valves in quality classes 4A and 4

For valves in quality class 4A or 4 shall dimensions of parts of category 1 and 2 be verified according to SS-EN 12516 with respect taken to design data. As an alternative may any of the two calculation methods specified for quality class 2 and 3 be used. Other documentation may consist of e.g. results from stress measurements.

Flange joints shall be evaluated against ASME III-NC, ASME III-ND or SS-EN 13480.

4.3.4 Manufacturing

Valves shall be marked in accordance with SS-EN 19. Safety valves shall however be marked according to SS-EN ISO-4126-1. If required by the purchase order the valves shall also be marked with component numbers specified by the licensee.

Pressure-retaining valve parts shall be marked with serial number or the like to enable identification against the inspection documentation.

The valve body shall be permanently marked with an arrow or similar indicating the flow direction if the function of the valve is dependant of the direction of flow.

4.3.5 Documentation

4.3.5.1 Documentation required at tendering

The documentation shall at least include information of:

- General design and installation dimensions
- Materials (designation according to standard)
- Pressure rating
- Operation and design data
- C_V -, k_V -, or z-values according to 4.3.3.1
- Control characteristics
- Total weight and center of gravity with and without actuators
- Program for cleaning, corrosion protection and painting
- Inadmissible erection positions
- Direction of flow
- Recommended spare parts
- Material and type of gaskets
- Requirements related to maintenance requirements such as periodic replacement, recommended maintenance, arrangements for installation/dismantling etc.

For check valves in systems where loads generated from check valves are listed in KFM, shall information necessary to determine the movement sequence of ingoing moving parts during changes of flow be reported.

For example, the following data is requested:

- The mass of moving parts
- Moments of inertia for moving parts (with regards to flap shaft)
- Different measurements (torque arm, flap radius, max and min opening angle)
- Degree of opening as a function of mass flow
- Smallest area of flow as a function of mass flow
- Damping, spring force, shaft friction etc.

The quotation documents shall clearly state if the offered valve in any respect deviates from the requirements in the valve specification and TBM.

4.3.5.2 Documentation required before manufacturing

The required manufacturing documentation that shall be approved by the licensee is specified in KBM.

The below data shall be sent to the licensee for approval:

- Final pressure drop
- Actuator specifications
- Calculations

The drawing package shall in addition to the data prescribed in the relevant codes and standards as a minimum requirement contain the below listed data:

- Plant name and the licensee's component designation
- Assembly drawing and detailed drawings with reference to a valid inspection plan, calculations, WPS etc.
- Parts list with material designations according to applicable standard
- Procedures for welding, forming, heat treatment, etc.
- Dimensions of connections
- Dimensions necessary for calculations (wall thicknesses and flange thicknesses, internal dimensions, radii, dimensions of nozzles and bolts, joint shapes, weld joint efficiency factors for butt welds, etc.)
- Mass and center of gravity for valve including actuator
- Pressure rating
- Design data (design pressure and design temperature)
- Allowance for corrosion and abrasion
- Pressure for pressure testing
- Stuffing box dimensions
- Flow direction arrow
- Back seating design
- Quality class, tightness class
- Required bolt forces and tightening force
- All dimensions necessary for normal service
- Interlocks
- Corrosion protection

4.3.5.3 Final documentation

Technical component documentation shall contain drawings with information according to the above. It shall also contain procedures for operation and maintenance in the Swedish language, or, as an exception in the English language. These procedures shall include data such as maintenance intervals, lubrication instructions and overhaul instructions.

For control valves and medium controlled valves shall a general function description be enclosed.

Other final documentation as per KBM.

4.4 Pumps

4.4.1 Introduction

This TBM part contains the requirements for pumps of quality classes 2, 3, 4A and 4. Detailed data can be found in a specific pump specification, TSM 106.

4.4.2 Material restrictions

4.4.2.1 *Material for pump casings and internal parts*

Limitations according to chapter 3.1.8 applies for the use of stainless castings in pump casings.

Duplex stainless steel shall have a molybdenum content of minimum 3 %* and a ferrite content of 30-70 %. The composition shall in addition satisfy the PRE criteria (Pitting Resistance Equivalent) ≥ 37 , whereas PRE is calculated according to the following formula: $PRE = Cr + 3,3 \times Mo + 16 \times N$.

* For Ringhals, duplex stainless steels shall have a molybdenum content of minimum 4 %.

In pump shafts of martensitic stainless steel shall the chromium (Cr) content be >12 %. Steels of this type is however sensitive for hydrogen embrittlement if the strength is high, therefore shall certain caution be taken at contact with water or steam.

The hardness of pump parts made of tempered martensitic stainless steel shall not exceed 300 HV.

4.4.2.2 *Material for shaft seals*

Material in mechanical pump shaft seals for pumps in quality class 2, 3 and 4a shall be selected in agreement with the licensee.

For rotating plane seals the sealing surfaces must not contain antimony.

4.4.2.3 *Gasket material – Stuffing box packing*

Stuffing boxes or gaskets containing graphite are not approved for use in sea water systems. Static rotating plane seals shall primary be used as per SS-EN ISO 21049.

The total in water leachable content at 100°C of organically and inorganically bonded chloride and fluoride must not exceed 150 mg per kg and for gaskets of pure graphite 50 mg per kg.

4.4.2.4 *Lubricants*

Graphite based or nickel graphite based lubricants shall primarily be used. Graphite based lubricants may however not be used in systems that can be in contact with sea water.

Sulphuric lubricants like e.g. molybdenum disulphide must not be used in austenitic stainless steel pumps in humid environment and temperatures exceeding 100°C.

Lubricants used must be classified, approved and registered in the chemicals data base of the respective plant.

4.4.3 Design and calculation

4.4.3.1 General design criteria

Applicable parts of the standards EN-ISO 13709:2003, SS-EN ISO 21049 and SS-EN 9906 shall be used.

The supplier shall adapt his design so the type of motor types and shaft seals, proposed by the licensee, can be used.

Couplings for force transmitting shall primary be of the type membrane coupling and satisfy the standard ISO 10441:2007.

All pumps shall be designed with consideration of facilitate maintenance and dismantling. Particular care shall be devoted to all details, which, directly or indirectly, affect the reliability of the pump. It shall be observed that maintenance normally can be carried out once a year only.

Components with a weight exceeding 25 kg shall be provided with lifting lugs or other suitable device to facilitate repairs and maintenance.

The direction of rotation shall be marked on the pump casing and, when considered necessary, the flow direction shall be marked with an arrow on the pump casing.

Shaft seals shall to applicable parts be designed according to SS-EN ISO 21049.

Roller and slide bearings shall be designed for a service life exceeding 50 000 hours operation.

The critical rotation speed shall exceed 125 % of normal rotation speed.

The pump shall be capable of remain on standby, while filled with liquid, without being damaged.

When stated in the pump specification that the medium is radioactive, the pump shall be designed to be easily decontaminated. Pockets collecting particles of debris shall as far as possible be avoided.

The pump performance curve shall be stable from zero flow to maximum flow to applicable parts as per ISO 9906. Pumps specified for parallel operation shall be able to work together with a similar pump, not necessary identical.

All carbon steel surfaces in contact with the medium shall be provided with a corrosion allowance of minimum 1 mm, unless otherwise is stated in the pump specification.

4.4.3.2 Connections

The dimensions of the connecting pipes shall be specified in the pump specification. The supplier shall perform and submit calculations, demonstrating the magnitude of the forces and moments the connection nozzles may be subjected to. Requirements for bolted joints are specified in chapter 3.1.13.

4.4.3.3 Sealing arrangements

The requirements for tightness in relation to the surroundings is expressed in the pump specification by stating the tightness class. Shaft seal type for pumps in different tightness classes are specified in the respective pump specification. For design of sealing at different tightness classes see appendix 4.

4.4.3.4 Design calculations

The design data and loads required for design and strength calculations of pumps have been specified by the licensee in the pump specification and its appendices.

All calculations shall be reported in a clear and legible manner, clearly showing sources, references, drawings, part numbers etc.

For calculations in quality class 2 and 3 ASME III, NC-3400 or other recognized verified method to be applied.

Flanged connections in quality class 1, 2 and 3 shall be evaluated towards ASME III-NB, ASME III-NC and ASME III-ND, for quality class 4A and 4 are SS-EN 13480-3 applicable.

4.4.4 Vibrations and balancing

For detailed requirements of vibrations and balancing, see chapter 3.4.

4.4.5 Manufacturing

All pumps shall be marked with a component number specified by the licensee.

Pressure-retaining pump components shall be marked with serial number or similar to enable identification against the inspection documentation.

The direction of rotation shall be permanently marked on the pump casing if considered necessary, the direction of flow shall be marked with an arrow on the pump casing.

4.4.6 Documentation

4.4.6.1 Documentation required at tendering

The documentation shall contain at least the following:

- General design and installation dimensions
- Materials (designation according to standard)
- Pressure rating
- Operation- and/or design data
- Permissible forces and moments on connections
- Total weight with and without medium
- Program for cleaning, corrosion protection and painting
- Recommended spare parts
- A pump characteristic curve showing flow, developed head, shaft efficiency, required NPSH, efficiency, rotation speed for all impeller diameters
- Limiting span for operation
- The required cooling or flushing water flow
- Starting torque curve with open and closed valve
- Number of pistons, cylinder diameter and piston stroke for piston pumps

- Design of shaft seal
- Requirements related to maintenance such as periodic replacement, recommended maintenance, arrangements for installation/dismantling etc.

The quotation documents shall clearly state if the offered pump in some respect deviates from the requirements in the pump specification and TBM.

4.4.6.2 Documentation required before manufacturing

The below component data shall be sent to the licensee for approval:

- Instructions for operational and preventative maintenance

The drawings shall as a minimum requirement contain the following data:

- The name of the plant and the licensees component designation
- General arrangement drawing and detail drawings with reference to valid inspection plan
- Parts list with material designations according to applicable standards
- Procedures for welding, forming, heat treatment, etc.
- Over all dimensions
- Dimensions of connections
- Other dimensions required for calculations (thicknesses of walls and flanges, internal dimensions, radii, branch and bolt sizes, joint shapes, welding joint efficiency factor for butt welds, etc.)
- Pressure rating and design data
- Margin for corrosion and abrasion
- Corrosion protection
- Pump curve for the applicable impeller diameter and final motor speed. The curve shall show the developed head, power, efficiency and NPSH as function of the volumetric flow. The curve shall also state expected data for these parameters at maximum and minimum impeller diameter.
- For pumps controlled through the RPM shall also a mussel diagram be provided to the licensee. The diagram shall cover the RPM span that the pump will operate within steps (as a proposal in 200 RPM steps). A mussel diagram is regarded as a diagram that shows the developed head, power and efficiency as a function of the volumetric flow.
- Critical speed
- Instructions for lifting and transport
- Installation instructions including data of grouting procedures
- Quality class, tightness class
- Permissible forces and bending moments on nozzles
- Required bolt forces and tightening torques for bolts
- Design and dimension of shaft seal
- Load on the foundation
- Pressure for pressure testing

4.4.6.3 Final documentation

Technical component documentation shall contain drawings with data according to above. It shall also contain procedures for operation and maintenance in the Swedish language, or, as an exception in the English language. These procedures shall include information such as maintenance intervals, lubrication instructions and overhaul instructions.

Other final documentation according to KBM.

4.5 Heat Exchangers

4.5.1 Introduction

This TBM part contains the requirements for heat exchangers of quality classes 1, 2, 3, 4A and 4. Detailed data can be evident in a specific heat exchanger specification, TSM 107.

4.5.2 Material restrictions

For austenitic stainless steel plates and tubes in heat exchangers for salt water, material with a molybdenum content of at least 6 % shall be chosen.

Duplex stainless steels shall have a molybdenum content of minimum 3 %* and a ferrite content of 30-70 %. The composition shall in addition also satisfy the criteria PRE (Pitting Resistance Equivalent) ≥ 37 , whilst PRE is calculated according to the following formula:
 $PRE = Cr + 3,3 \times Mo + 16 \times N$.

* For Ringhals, duplex stainless steels shall have a molybdenum content of minimum 4 %.

For all parts in contact with primary water the cobalt content shall be $< 0,05$ %.

Cold bend tubes shall be solution heat treated when the mean bending radius is $< 16 * D_y$ if they shall be used with primary water at an operating temperature $> 100^\circ C$.

4.5.3 Design and Calculations

4.5.3.1 General design requirements

Heat exchangers of quality classes 1, 2 or 3 shall be designed to allow for in-service inspection. The number of pressure-retaining welds shall thus be the minimum possible and they shall be of such design that volumetric inspection, primarily by methods such as ultrasonic examination can be performed without the disturbing effect of geometries or other discontinuities.

The heat exchanger including the support and foundation shall be designed without crevices and pockets to minimise the risk for corrosion and to facilitate application of an effective corrosion protection, e.g. painting, galvanising or rubber-lining.

Tube inlets in heat exchangers shall be designed so that the least possible disturbance of the flow on the inlet side is achieved.

In order to avoid leakage or crevice corrosion at roll expanding of tubes, heat exchangers designed with tubes rolled in the tube plate shall have seamless tubes, alternatively, longitudinally welded tubes with ground welds.

Tube heat exchangers, cooled with salt water shall be provided with straight tubes and heads made of titanium or rubber-lined end sections. Heat exchangers with tubes made of copper alloys shall be provided with sacrificial anodes or anodes with impressed current in all channel heads. Good electrical contact between anodes and tube plate is necessary. Rubber-lining shall comprise all connecting nozzles and flange surfaces.

Tube heat exchangers shall be designed to enable simple and quick stop of tube leakage by plugging.

Dismantling of the head sections in a tube heat exchanger shall be possible without the tube bundle being deformed or moved out of its position. In addition it shall be possible to replace individual tubes or a whole bundle of tubes without damage to tubes, baffles or support plates.

Expansion bellows shall be of proven design, without guide tubes. Expansion bellows are not accepted in quality class 1.

Components with a weight exceeding 25 kg shall be provided with lifting lugs or other suitable device for facilitating repairs and maintenance.

All wetted carbon steel surfaces except tubes, shall be provided with a corrosion allowance of at least 1 mm, unless otherwise stated in the heat exchanger specification.

Vibrations expected to reduce the life span of the heat exchanger shall not occur during operation even if the specified flow and/or the temperature is exceeded by 25 %.

The ovality of bent tubes must not exceed 8 %.

The ovality is defined as $(D_{\max} - D_{\min}) * 100 / D_o$

D_{\max} = maximum outside diameter after bending

D_{\min} = minimum outside diameter after bending

D_o = nominal outside diameter

The minimum wall thickness in the bend must not be less than the required to meet the strength requirements.

4.5.3.2 Connections

Connections shall be adapted to connecting pipe. The dimensions of the connecting pipe work are specified in the heat exchanger specification. For quality class 1 they shall be designed according to ASME III fig NB-4250, unless otherwise specified, and at least be sized with regard to ASME III NB-3330.

Location of nozzles for leak testing, drainage, tightness testing and cleaning are specified separately.

Annular or flat reinforcements are not permitted in quality class 1.

The nozzles shall be designed with regard to the forces and moments from connecting pipes. If these forces are not specified, the nozzles shall have at least the capacity of the connecting pipes.

For flanged connections the following applies:

- Flanges should be of butt weld design. However, slip-on flanges may be used after the licensee's approval
- For heat exchangers of quality classes 1 and 2, standard flanges must be at least of pressure class PN 16/150# even if the calculation pressure is lower. For quality classes 3 and 4A, the pressure class PN 10/150# is correspondingly applicable
- Heat exchangers of quality classes 1 and 2 shall have forged flanges
- If the design temperature exceeds 200° C bolts and the both mating flanges shall be made of material with the same coefficient of linear expansion. However, carbon steel bolts may be used in stainless flanges if a suitable compensation is arranged for the difference in the coefficient of linear expansion
- Washers shall normally be used under nuts. (In certain designs under bolt heads or under both bolt heads and nuts).
- For flanged connections subjected to temperature changes, the risk for unloading (leakage) or overloading of gaskets and bolts shall be particularly regarded
- Requirements for bolted connections are specified in chapter 3.1.13.

4.5.3.3 Sealing arrangements

The tightness requirements for flanges, man holes, water- and channel heads in relation to the surrounding are specified in the heat exchanger specification by stating the tightness class. Type of heat exchanger, requirements on attachments of tubes in tube plate as well as other requirements on design of seals for heat exchangers belonging to the different tightness classes is stated in respective heat exchanger specification. In case the heat exchanger has different tightness classes on tube and casing side then the tightness class for the media with highest pressure is applicable for tube attachment. For design of sealing at different tightness classes see appendix 4.

4.5.3.4 Strength calculations

The design data and loads required for design and strength calculations of heat exchangers have been specified by the licensee in the heat exchanger specification and its appendices.

All calculations shall be reported in a clear and legible manner, with sources, references, drawings, part numbers etc. accurately specified. The documentation shall be reviewable. Earlier performed calculations, showing that the heat exchanger is acceptable for loads that are higher than those specified, may be used.

Heat exchangers shall be dimensioned according to applicable codes specified in chapter 3.2.

Calculations for required bolt forces and tightening torque for bolted joints shall be included the calculation report.

Calculations for transient loads shall be carried out according to ASME III NB-3200.

4.5.4 Manufacturing

4.5.4.1 General requirements at manufacturing

Tubes must not be cleaned by steam blowing. Mechanical cleaning of tubes shall be performed with method avoiding damages to the tubes.

When dismantling the heat exchanger at e.g. manufacturing or transport, new seals shall be used at the subsequent assembly.

Heat exchanger tubes must not be joined by welding.

Cold working of tubes during rolling operations shall be restricted to the minimum possible, max 10 %. Production tests shall be carried out and inspected according to procedure drawn up by the manufacturer and approved by the licensee.

At delivery of tube heat exchangers spare tubes shall always be delivered for future testing. The tubes shall be chosen from the same batch as those used in the heat exchanger.

4.5.5 Documentation

4.5.5.1 Documentation required on tendering

The documentation shall contain at least the following data:

- General design and installation dimensions and over all dimensions and space requirements for service and installation
- All dimensions necessary for flow and thermodynamic calculations

- Materials (designation according to applicable standard)
- Program for cleaning, corrosion protection and painting
- Total weight with and without medium
- Directions of flow
- Maintenance related requirements such as periodic replacement, recommended maintenance, arrangements for assembly / disassembly etc.

The quotation documents shall clearly state if the offered heat exchanger in some respect deviates from the requirements in the specification and TBM.

4.5.5.2 Documentation required before manufacturing

The below equipment data shall be sent to the licensee for approval:

- Final pressure drop

The drawings shall at least include the data stated below in addition to the information required in relevant codes and standards:

- The name of the plant and the licensee's component designation
- General arrangement drawing and detail drawings with reference to valid inspection plan
- Parts list with material designations according to applicable standards
- Procedures for welding, forming, heat treatment, etc.
- Overall dimensions
- Dimensions of connections
- Allowance for abrasion and wear
- Other dimensions required for calculations (thicknesses of walls and flanges, internal dimensions, radii, branch and bolt sizes, joint shapes etc.)
- Design pressure and design temperature
- Pressure for pressure testing
- Weight (with and without medium) and center of gravity
- Load on the foundation
- Directions of flow
- Installation instructions including data of grouting procedures
- Quality class, tightness class
- Permissible forces on nozzles
- Required bolt forces and tightening torques for bolts
- Manufacturer, year of manufacture, serial number and type
- Corrosion protection

4.5.5.3 Final documentation

Technical component documentation shall contain drawings with data according to above. It shall also contain procedures for operation and maintenance in the Swedish language, or, as an exception in the English language. These procedures shall include information such as maintenance intervals, methodology for cleaning of heat transferring surfaces, required bolt forces, tensioning forces etc.

Other final documentation according to KBM.

4.6 Process Measuring Equipment

4.6.1 Introduction

This TBM part contains the requirements for thermo wells, orifice plates, dp-cells etc. and other equipment as per below located in pipe work of the quality classes 1, 2, 3, 4A or 4.

Deviations shall be specified at the tendering and shall be approved by the licensee.

4.6.2 Design requirements on certain components

4.6.2.1 Instrument valves

Globe valves, but not valve manifolds, shall be clearly marked to make it evident which connection applies to top respective bottom of globe.

4.6.2.2 Flow measurement nozzles, orifice plates and venture tubes

Flow measurement nozzles, orifice plates and venture tubes shall be designed according to the requirements in SS-EN ISO 5167-1.

Connections shall be adapted to connecting pipes. The dimensions of connecting pipes shall be specified in the specification or on the drawing. The connections shall be designed according to ASME III, fig NB-4233-1, unless otherwise specified.

The nozzles shall be designed to enable connection of instrument lines in austenitic stainless steel.

4.6.2.3 Thermo wells

The thermo wells shall be designed for Pt 100 resistance transducers according to DIN 43 763 form D1 or D5.

4.6.2.4 Pressure vessels for level measuring

Chapter 4.7.5 “Strength Calculations“ applies to applicable extent to pressure vessels for level measuring.

4.7 Pressure vessels

4.7.1 Introduction

This TBM part contains the requirements for pressure vessels quality class 2, 3, 4A and 4.

4.7.2 Design

All pressure vessels shall fulfil applicable requirements in SS-EN 13445 or ASME III, and the TBM requirements.

After approval of the licensee, pressure vessels may be designed according to other codes than the above, providing these are deemed equivalent or more stringent.

Pressure vessels shall be designed to minimize the number of weld joints and they shall be configured to enable a volumetric inspection, preferably by means of ultrasonic without disturbing influence from geometrical shapes. See chapter 4.1.2.

The pressure vessel, including support and foundation, shall be designed without crevices and pockets to minimise the risk for corrosion and to enable easy and effective application of corrosion protection, e.g. painting, galvanising or rubber-lining. See chapter 3.4.

Components with a weight exceeding 25kg shall be provided with lifting lugs or other suitable arrangements to facilitate maintenance.

All wetted carbon steel surfaces shall have a corrosion allowance of at least 1 mm, unless otherwise is specified by the licensee.

4.7.3 Connections

Connections shall be adapted to connecting pipes.

The size of connecting piping shall be specified in the pressure vessel specification.

Location of nozzles for drain, over pressure protection and tightness testing to be separately specified.

Forces and torques from connecting pipes shall be taken into account when sizing of nozzles. If these forces are not specified, the nozzles shall have at least the capacity of the connecting pipes.

For connections with flanges the following applies:

- Flanges should be designed for butt welding. However flanges without welding neck may be used after the licensee's approval
- For pressure vessels in quality classes 2, standard flanges must be at least of pressure class PN 16/150# even if the calculation pressure is lower. For quality classes 3 and 4A, the pressure class PN 10/150# is correspondingly applicable
- Forged flanges are required for pressure vessels in quality class 2
- If the design temperature exceeds 200°C bolts and the both mating flanges shall be made of material with the same coefficient of linear expansion. However, carbon steel bolts may be used in stainless flanges if a suitable compensation is arranged for the difference in the coefficient of linear expansion
- For flanged joints subjected to temperature changes, the risk for unloading (leakage) or overloading of gaskets and bolts shall be particularly regarded

- Washers shall normally be used under nuts (in certain designs under bolt heads or under both bolt heads and nuts)
- The regulations for bolted joints are found in chapter 3.1.13.

4.7.4 Sealing arrangements

The requirements on tightness for flanges and man holes in relation to the surrounding are specified in the pressure vessel specification by stating the tightness class. For design of sealing at different tightness classes see appendix 4.

4.7.5 Strength calculations

The design data and loads required for design and strength calculations of pressure vessels shall be specified by the licensee.

All calculations shall be reported in a clear and legible manner, with sources, references, drawings, part numbers etc. accurately specified. The documentation shall be reviewable. Previous performed calculations, showing that the pressure vessel is acceptable for loads that are higher than those specified may be used.

Sizing calculations to be performed according to chapter 3.2.

An analysis of primary stresses must show that the design of the support is acceptable. Forces and torques from connecting piping to be regarded as primary loads

4.7.6 Documentation

4.7.6.1 *Documentation required on tendering*

The documentation shall contain at least the following data:

- General design and installation dimensions and over all dimensions and space requirements for service and installation
- Materials (designation according to applicable standard)
- Program for cleaning, corrosion protection and painting
- Total weight with and without medium
- Maintenance related requirements such as periodic replacement, recommended maintenance, arrangements for assembly / disassembly etc.

The quotation documents shall clearly state if the offered pressure vessel in some respect deviates from the requirements in the specification and TBM.

4.7.6.2 Documentation required before manufacturing

The drawings shall at least include the below listed data in addition to the data required in relevant codes and standards:

- The name of the plant and the licensee's component designation
- General arrangement drawing and detail drawings
- Parts list with material designations according to applicable standards
- Procedures for welding, forming, heat treatment, etc.
- Overall dimensions
- Dimensions of connections
- Other dimensions required for calculations (thicknesses of walls and flanges, internal dimensions, radii, branch and bolt sizes, joint shapes etc.)
- Design pressure and design temperature
- Allowance for corrosion and abrasion
- Pressure for pressure testing
- Weight (with and without medium) and center of gravity
- Load on the foundation
- Installation instructions including data of grouting procedures
- Quality class, tightness class
- Permissible forces on nozzles
- Required bolt forces and tightening torques for bolts
- Manufacturer, year of manufacture, serial number and type
- Corrosion protection

4.7.6.3 Final documentation

Technical component documentation shall include drawings with data according to above. Other final documentation according to KBM.

4.8 Supports

4.8.1 Introduction

This TBM part includes the requirements for piping and component supports in process systems.

This chapter does not apply for pipe rupture restraints, see chapter 4.11.

In certain cases, welded-on lugs or foot supports are attached to the pipe or component. These are not covered by this chapter of TBM but belong to the pressure retaining system. Supports are usually installed through mounting against plates that are secured with expansion bolts, in this case TBM also applies to the plates and expansion bolts. In certain cases, welding plates, embedded into the building structure are used, which are not covered by TBM, they are then covered by the licensee's civil construction standards. The interface between supports and building structure is:

- The outside surface of weld plates embedded in concrete
- The outside surface of steel structures that not got a primary function to carry loads from piping and process equipment
- The outside surface of the concrete structure at plates mounted through expansion bolts

4.8.2 Material restrictions

Certain anchoring elements, such as spring packages, constant hangers and snubbers for dynamic loads shall be made of material specified in the supplier's product specifications for respective anchoring elements, approved by the licensee.

4.8.3 Design and Calculations

4.8.3.1 General

In the cases where the supplier is responsible for the detailed design, he shall submit drawings and calculations according to the below specified requirements. All manufacturing drawings and any calculations, prepared by the supplier shall be approved by the licensee.

Pipe hangers and pipe supports shall be designed to absorb existing forces, torques and movements caused by thermal expansion, support friction, flowing media, specified dynamic loads and weight of the piping and contents etc., as well as damp out harmful vibration.

The distance between supports must be selected to avoid risk of deflection due to process or mechanical strength reasons.

Fix points and guides shall be positioned and designed to suitable distribute occurring movements between the expansion absorbing devices.

Hangers and supports shall be connected to piping in such a way that risk for corrosion and initiation of cracks in the pipe wall is avoided.

At the use of clamps the risk of corrosion where pipe clamp there is a major corrosion risk, this shall be especially regarded at outdoor pipe routing.

Detailed design shall be based on a support specification and system isometric drawings, approved by the licensee, specifying the accurate locations of the location of supports.

The supplier shall also adapt the design with regard to existing piping supports, cable trays, ventilation ducts, as well as to other components, gratings etc.

Expansion bolts shall be chosen according to the licensee's standard and they shall be approved by ETA or corresponding for occurring loads (e.g. dynamic loads).

At joining supports to the building structure, the applicable instructions relating to permissible transferred loads and instructions for installation of expansion bolts must be satisfied. In particular shall limitations be regarded for permissible depth of drilling or total prohibition of drilling.

In the case of new building works, preference shall be given to the use of embedded welding plates for joining of brackets to the building structure. The load transmitted to the welding plates must be reported with respect to magnitude, distribution of load and point of load introduction.

4.8.3.2 Design

Supports are divided into quality classes, which are the same as the quality classes of the piping system or component that they carry.

If a number of supports, pipes or components of different quality classes rest on the same bracket, the quality class of the bracket shall be that of the highest classed system.

Detail design of pipe supports must be based on standards for erection parts as approved by the licensee, i.e. fix supports, guiding supports etc. Anchor supports and axial stops must incorporate double clamps.

Erecting parts shall normally not be welded directly on to the pipe, instead axial forces must be transferred from the pipe to the support via welded lugs. Radial forces are transferred through single or double clamps.

Lugs and clamps must not be positioned closer to a circumferential pipe weld than distance A in Figure 4-3 to Figure 4-7 (chapter 4.1.2). Exception may be made for easily removable clamps, however, the clamp shall in no case cover the circumferential joint.

For cooling tubes (liquefied gas) insulating interlayer shall be used between pipe and clamp.

When using spring hangers, the change in load between the erection condition and the operation condition must not exceed 25 % of the spring set value at erection. Spring forces, spring constant and spring movement shall be stated in specification/ drawing.

The play in lateral guides is normally 1-2 mm (total 2-4 mm). If zero play and prescribed side movements are required in certain cases, the required play is stated on the drawing.

Brackets shall be designed to avoid accumulation of standing water, primarily by suitable joining of beams. Areas which can be filled with water shall be provided with drilled drain holes of \varnothing 10 mm. If the edges of the drain hole are to be painted, the diameter of the hole must be \varnothing 20 mm. Stress concentrations must be taken into account at making of holes.

Brackets shall be designed to allow as much as possible of the welding work to be prefabricated in workshop. All beams joined to welding plates in the building shall have an extra length of 50 mm to compensate for construction tolerances.

The brackets shall be designed to enable surface treatment in accordance with the licensee's standard. If hot-dip galvanizing is used, necessary holes for air flow and molten zinc shall be incorporated.

Bolts and nuts should be of strength class ISO 8.8 and 8 respectively. If from design or calculation point of view a higher strength class is required the risk of brake due embrittlement shall be observed.

In general, for welded assemblies tolerances according to SS-EN ISO 13920 class B are applicable, and for machined dimensions lowest tolerances according to SS-ISO 2768-1 course.

At welding beam to beam a cut shall be made in one of the beams, if required with respect to strength, so that the parts can be welded flange to flange and web to web respectively, or additional web plates be assembled.

Stop assemblies for axial stops shall be reinforced by welding on three sides, with the one side that faces the support beam being fully welded.

The joints of guide bars for lateral guidance must be machined prior to welding and be fully welded through from the outside.

4.8.3.3 Calculation

Calculations shall verify the design strength according to the license's defined design specifications and design criteria. When formal calculations for piping systems are presented also calculations for supports shall be presented.

Calculations that are presented shall be prepared in a readable and easily-understood manner, with accurately specified sources, references, drawings, part numbers etc. The documentation shall be reviewable.

For standard parts like spring cages, constant supports, snubbers for dynamic loads etc. previously performed calculations can be submitted, showing that the part is acceptable for use with loads that are more severe than those in question.

Calculations shall to required extent demonstrate stresses and/or deformations in brackets, welds for attaching brackets, weld plates and other stressed parts plus specify loads and usage factor for expansion bolts. The licensee's guidelines shall be followed at calculation of expansion bolts and embedded plates.

At dimensioning shall only loads from simultaneous events in the different system parts be lumped together. Lumping together static loads is performed algebraically and for dynamic loads is it performed through the square root of the sum of squares of the load components.

Supports in quality class 1-3 shall be calculated according to ASME III NF. For quality class 4 and 4A shall ASME III NF be used or SS-EN 13480. It is appropriate to apply ASME III NF also for quality class 4 and 4A when the underlying pipe calculations are performed in accordance with ASME III.

For pipe guides and lateral supports is normally the friction coefficient $\mu = 0.3$ applied at calculation of friction force to the bracket.

All pipe brackets shall be designed for a minimum load of 1 kN, this regardless if the support specification specifies a lower load. The requirement means that the bracket shall withstand the load from one person (100 kg) standing on the object.

The supplier shall aim, within the limits of proven experience, not to unnecessarily increase the weight of structures.

4.8.3.4 Drawing requirements

For simple supports of standard type, primarily in quality class 4A and 4, where no calculations are required, the manufacturing drawings may be produced in accordance with simplified drawing procedures without detailed instructions.

4.8.4 Manufacturing

All primer or other corrosion protection shall be removed for a distance of 50 mm from the respective joint edge before welding.

All gaps shall be seal welded.

Pendulum for hangers must not be weld repaired or jointed by welding.

4.8.5 Documentation

4.8.5.1 Documentation required at tendering

The documentation shall at least include information of:

- General design and installation dimensions
- Materials (designation according to standard)
- Program for cleaning, corrosion protection and painting. See chapter 3.4
- Total weight

The quotation documents shall clearly state if the offered support in any respect deviates from the requirements in the specification and TBM.

4.8.5.2 Documentation required before manufacturing

The below component data shall be sent to the licensee for approval:

Calculations if applicable, see chapter 4.8.3.3.

The drawing package shall in addition to the data prescribed in the relevant codes and standards as a minimum requirement contain the below listed data

- Plant name and the licensee's component designation
- Assembly drawing and detailed drawings with reference to a valid inspection plan
- Parts list with material designations according to applicable standard
- Procedures for welding, forming, heat treatment, etc.
- Overall dimensions
- Other dimensions necessary for calculations
- Required bolt forces and tightening force
- Corrosion protection

4.8.5.3 Final documentation

Technical component documentation shall contain calculations and drawings with data according to above.

Other final documentation as per KBM.

4.9 Atmospheric storage tanks

4.9.1 Design

4.9.1.1 General design requirements

Atmospheric storage tanks in quality class 2 and 3 shall fulfil requirements of ASME III.

Atmospheric storage tanks in quality class 4 and 4A shall fulfil the requirements of SS-EN 1993-4-2 together with EKS and Eurocodes. EN 14015:2005 can be applied providing that it can be demonstrated that the requirements for load bearing capacity of EKS and Eurocode are being satisfied. At calculation/dimensioning shall SS-EN 1993-4-2 be used. Cisternanvisningar (CA I) (Swedish code for atmospheric tanks) is a supplement to EN 14015 and shall always be used together with this standard.

Also the guidelines for Atmospheric tanks foundation (CFA) to be regarded. Fabrication class shall be specified by the licensee.

Following requirements shall however always be applied.

Atmospheric storage tank, including support and foundation, shall be designed without crevices and pockets to minimise the risk for corrosion and to enable easy and effective application of corrosion protection, e.g. painting, galvanising or rubber-lining.

All wetted carbon steel surfaces shall have a corrosion allowance of at least 1 mm, unless otherwise is specified by the licensee.

In flange joints subjected temperature variations, the risk of relaxation (leakage) or overloading of gaskets and bolts shall be particularly considered.

4.9.1.2 Connections

Connections shall be adapted to connecting pipes.

The size of connecting piping dimensions shall be specified in the specification for the atmospheric storage tank.

4.9.1.3 Seal design

The requirements on the tightness of atmospheric storage tanks with regard to flanges and man holes with respect to the surroundings shall be expressed in the storage tank specification by stating tightness class. For design of sealing at different tightness classes see appendix 4.

4.9.2 Calculation

The design data and loads required for design and strength calculations of the atmospheric storage tank are to be specified by the licensee.

All calculations shall be reported in a clear and legible manner, with sources, references, drawings, part numbers etc. accurately specified. Previous performed calculations, demonstrating that the atmospheric storage tank is acceptable for loads that are higher than those specified may be used.

Dimension calculations shall, depending on quality class be performed according to ASME III or SS-EN, see chapter 4.9.1.1.

4.9.3 Marking

Atmospheric storage tanks shall be marked by the manufacturer with a sign according to SS-EN 14015 chapter 20.2.

For flammable liquids shall the manufacturer also apply additional marking according to MSBFS 2018:3 chapter 2, 7 §.

Atmospheric storage tanks for non flammable liquids shall also be marked after first inspection by accredited inspection body according to AFS 2017:3 chapter 5, 19 § at AFS class A or B.

Atmospheric storage tanks for flammable liquids shall also be marked with an inspection sign by accredited inspection body according to EN ISO/IEC 17020 according to MSBFS 2018:3 chapter 5, 16 §.

4.9.4 Documentation

4.9.4.1 *Documentation required on tendering*

The documentation shall contain at least the following data:

- The codes and standards to be satisfied for the design, construction and dimensioning
- General design and installation dimensions and over all dimensions and space requirements for service and installation
- Materials (designation according to applicable standard)
- Program for cleaning, corrosion protection and painting. See chapter 3.4
- Total weight with and without medium
- Maintenance related requirements such as periodic replacement, recommended maintenance, arrangements for assembly / disassembly etc.
- Fabrication class

The quotation documents shall clearly state if the offered atmospheric storage tank in some respect deviates from the requirements in the specification and TBM.

4.9.4.2 *Documentation necessary before manufacturing*

The drawings shall at least include the below listed data in addition to the data required in relevant codes and standards:

- The name of the plant and the licensees component designation
- General arrangement drawing and detail drawings with reference to valid inspection plan
- Parts list with material designations according to applicable standard
- Procedures for welding, forming, heat treatment, etc.
- Over all dimensions
- Dimensions of connections
- Other dimensions required for calculations (thicknesses of walls and flanges, internal dimensions, radii, nozzle and bolt sizes, joint types etc.)
- Design pressure and design temperature

- Allowance for corrosion and abrasion
- Weight (with and without medium) and center of gravity
- Load on the foundation
- Installation instructions including data of grouting procedures
- Quality class
- Permissible forces on nozzles
- Required bolt forces and tightening torques for bolts
- Manufacturer, year of manufacture, serial number and type
- Corrosion protection

4.9.4.3 Final documentation

The component documentation shall contain drawings with data according to above.
Other required documentation according to KBM.

4.10 Internals for reactor pressure vessels and steam generators

4.10.1 Restrictions for material in reactor internal parts

Embrittlement due to of neutron flux shall be taken into account.

The content of cobalt must not exceed 0,05 %.

Sulphuric lubricants like e.g. molybdenum disulphide must not be used. Graphite based or graphite nickel based lubricants shall primarily be used.

4.10.2 Design

In the cases where the supplier is responsible for the detailed design shall the supplier submit drawings and calculations according to the requirements specified in the purchase order. All the manufacturing drawings and possible calculations produced by the supplier shall be approved by the licensee.

The surface finish shall be chosen to facilitate future decontamination. Marking shall be carried out to enable future identification by remote controlled camera.

The testability shall be taken into account.

4.10.3 Documentation

The documentation shall conform to the licensee's requirements.

Other documentation according to KBM.

4.11 Pipe rupture restraints

4.11.1 Introduction

Pipe rupture restraints are usually mounted through bolts or grouted plates. In such cases TBM applies for the plates.

In certain cases, welding plates that are embedded in the building structure, will be used. These welding plates are not covered by TBM, but are covered by the licensee's civil construction standards.

Chapter 4.2.6 applies to lugs welded on pipes and components.

4.11.2 Material

Parts, which will absorb energy by elongation, should be of ductile materials. As a rule of thumb a material is ductile if the elongation at rupture is at least 10 %.

4.11.3 Design

4.11.3.1 General

In the cases where the supplier is responsible for the detailed design the supplier shall submit drawings and calculations according to the below specified requirements. All the manufacturing drawings and possible calculations produced by the supplier shall be approved by the licensee. The manufacturing drawings shall be sufficiently detailed to be used as basis for strength calculations.

Pipe rupture restraints shall be designed to absorb all forces, torques and movements at and after a pipe rupture, this to protect the safety equipment necessary at the pipe rupture.

The play should be large enough that occurring movements in the pipe systems will not be obstructed by the pipe rupture restraints and that pipes or components are not affected by the restraints except when there is a pipe rupture. If there is not enough play for this, the pipe rupture restraint shall be considered as a pipe support and consequently fulfil these requirements.

Pipe rupture restraints shall be connected to piping in such a way that risk for corrosion and crack formation in the pipe wall is avoided.

Expansion bolts are chosen according to the licensee's standard and shall be approved by ETA or similar for occurring loads (e.g. dynamic loads).

When attaching parts to the structure of the building, the applicable instructions relating to permissible transferred loads to be followed, as well as instructions for installation of expansion bolts.

4.11.3.2 Design

Pipe rupture restraints are classified as quality class 3 irrespective of piping class.

Installation parts shall normally not be welded directly to the pipe. Instead axial forces must be transferred from the pipe to the pipe rupture restraint via welded lugs. Radial forces are transferred through single or double clamps.

As far as possible, lugs and clamps must not be positioned closer to circumferential pipe joints than the distance A in Figure 4-3 to 4-7 (chapter 4.1.2). Exceptions can be made for easily removable clamps, however, the clamp should in no case cover the circumferential joint.

Brackets must be designed to avoid accumulation of standing water, primarily by suitable joining of beams. Areas which can be filled with water, shall be provided with drilled drain holes of \varnothing 10 mm. If the edges of the drain holes are to be painted, the diameter must be \varnothing 20 mm. Stress concentrations must be taken into account at making of holes.

The brackets shall be designed to enable surface treatment in accordance with the licensee's standard. If hot-dip galvanizing is used, necessary holes for air flow and molten zinc shall be incorporated.

Bolts and nuts should be of strength class ISO 8.8 and 8 respectively. If from design or calculation point of view a higher strength class is required the risk of brake due embrittlement shall be observed.

In general, for welded assemblies tolerances according to SS-EN ISO 13920 class B applies, and for machined dimensions lowest tolerances according to SS-ISO 2768-1 course.

At welding beam to beam a cut shall be made in one of the beams, if required with respect to strength, so that the parts can be welded flange to flange and web to web respectively, or additional web plates be assembled.

4.11.4 Calculation

Formal strength calculations are normally required for pipe rupture restraints.

Submitted calculations must be prepared in a readable and easily understood manner, with accurate specification of sources, references, drawings, part numbers etc.

Calculations shall to necessary extent specify stresses and/or deformations in brackets, installation welds, mounting plates and other stressed details and specify loads on and usage factor of expansion bolts.

The calculation method and permissible tensions are obtained from ANSI/ANS 58.2 and ASME III Appendix F, i.e. the loads belong to level D, with further reference to ASME III NF-3200 and NF-3300.

If a higher permissible stress or other calculation methods are chosen, this to be motivated and documented.

4.11.5 Manufacturing

All primer or other corrosion protection shall prior to welding be removed for a distance of 100 mm (including extra length for fitting) from the respective joint edge. Zinc protection must not be performed on a surface, which shall be welded (e.g. paint containing zinc or at hot-galvanizing).

All gaps shall be seal welded.

4.11.6 Documentation

4.11.6.1 Documentation required on tendering

The documentation shall contain at least the following data:

- General design and installation dimensions
- Materials (designation according to applicable standard)
- Program for cleaning, corrosion protection and painting. See chapter 3.4
- Total weight

The quotation documents shall clearly state if the offered pipe rupture restraint in some respect deviates from the requirements in the specification and TBM.

4.11.6.2 Documentation necessary before manufacturing

The below component data shall be submitted to the licensee for approval:

Calculations, if applicable, see chapter 4.11.4.

The drawings shall at least include the data stated below in addition to the information required in relevant codes and standards:

- The name of the plant and the licensees component designation
- General arrangement drawing and detail drawings with reference to valid inspection plan
- Parts list with material designations according to applicable standard
- Procedures for welding, forming, heat treatment, etc.
- Over all dimensions
- Other dimensions required for calculations
- Required bolt forces and tightening torques for bolts
- Corrosion protection

4.11.6.3 Final documentation

The technical component documentation shall contain calculations and drawings with data according to above.

Other required documentation according to KBM.

5 REPAIR OF INSTALLED EQUIPMENT

Repair of installed equipment shall be carried out according to SSMFS 2008:13.

At damages in the plant to an extent where the necessary strength and function margins cannot be maintained shall the affected component or component part be replaced or repaired. Prior to start of repair or replacement measures shall the probable cause of the damage be determined and necessary measures shall have been taken to prevent occurrence of new damages.

Repairs shall be performed in accordance with repair programs that have been qualified for the purpose which also got sufficient margins to re-establish the properties required to satisfy the mandatory conditions for use. If the repair measures affects equipment in quality class 1 and 2 the qualification of repair program shall be monitored and evaluated by an accredited body.

The repair program shall contain descriptions of the repair method and implementation, strength analyses, equipment to be used, work description and specific quality assurance measures needed to apply in order to restore the initial properties.

APPENDIX 1: EVENT CATEGORIZATION

ANSI/ANS-51.1/52.1-1983

FIG. B1

EVENT FREQUENCY RANGE (per reactor-year)	PLANT CONDITIONS CATEGORIES	OTHER CATEGORIZATION SCHEMES					
		NRC			ANS		
		10 CFR	RG 1.48 ASME Code*	RG 1.70 Rev 2	51.1 (N18.2)	52.1 (N212)	53.1 (N212)
Planned Operations	PC-1, (H1)**	Normal	Normal	NORMAL	Condition I	Normal PPC	Plant Condition A
10 ⁻¹	PC-2, (H2)**	Anticipated Operational Occurrences	Upset	Moderate Frequency	Condition II	Frequent PPC	Plant Condition B
10 ⁻²	PC-3, (H2)**			-----	-----	-----	
10 ⁻³	PC-4, (H3)**	Accidents	Emergency	Limiting Faults	Condition IV	Limiting PPC	Plant Condition C
10 ⁻⁴							
10 ⁻⁵	PC-5, (H4) **		Faulted				Plant Condition D
10 ⁻⁶	Not Considered, (H5)						

* This terminology has been eliminated from 1977 version of the ASME Code

** Event categorization (H) derived from SSMFS 2008:17 and added to column “Plant Conditions Categories”

APPENDIX 2: TABLE 3-6 ANSI/ANS-51.1/52.1-1983

ASME Boiler and Pressure Vessel Code, Section III Service Limits for Various Plant Conditions and Nuclear Safety Functions (1)

Plant Conditions (PC)	Service Loading Combination (4) 32	Nuclear Safety Functions (2)		
		Pressure Retaining Integrity	Active Function (5)	Dimensional Stability (3) and Support Stability (6)
PC-1	NOL	A	A	A
PC-2	NOL + L ₂	B	B	B
PC-3	NOL + L ₃ (7,8)	B	B	B
PC-4	NOL + L ₄	C	B(9)	C(10)
PC-5	NOL + L ₅ (7, 11)	D	B(9)	D(10)


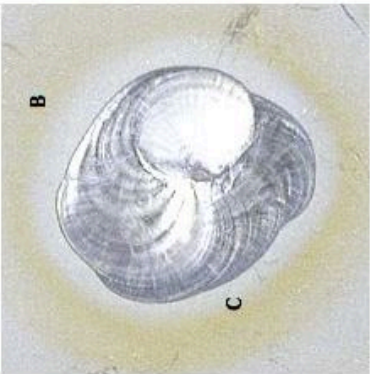
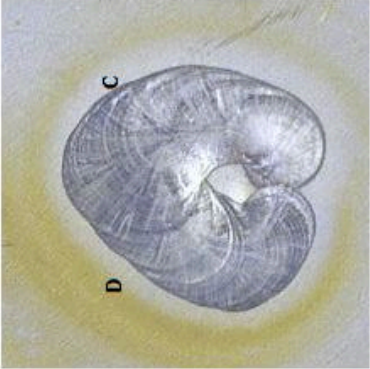
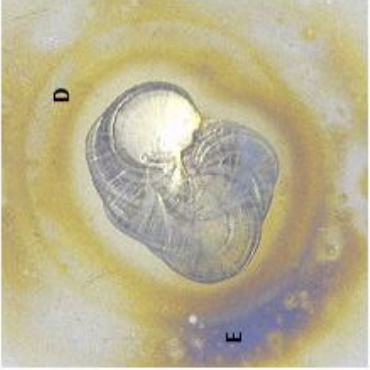
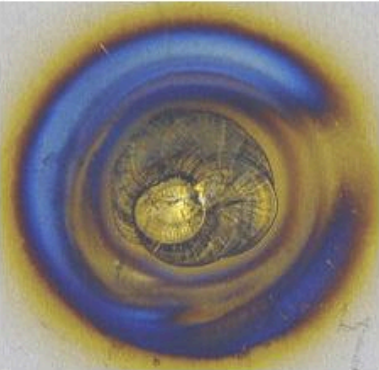
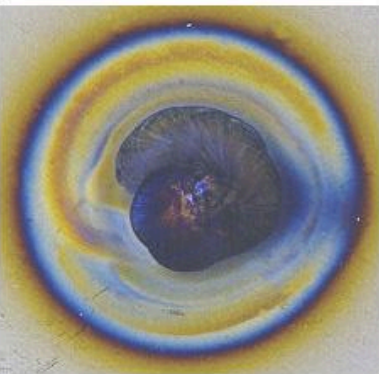
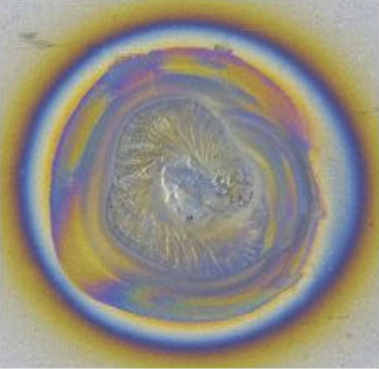
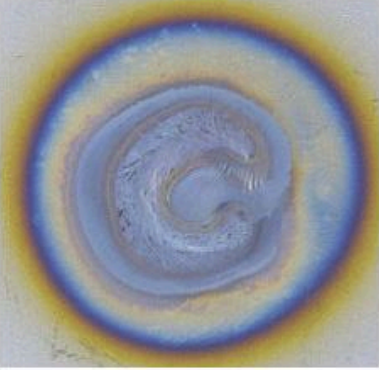
Notes:

- 1) Does not apply to primary containment.
- 2) There shall be no loss of nuclear safety function for any normal operation or PC-2, -3, -4 or -5 event.
- 3) Dimensional Stability - maintenance of component configuration within limits that do not preclude the performance of the component intended nuclear safety function (e.g. maintenance of fluid flow path such that adequate flow can occur but not necessarily design flow, or prevention of valve seat distortion that results in unacceptable leakage).
- 4) NOL= Normal Operating Loads associated with PC-1 normal operation. L₂ L₃ L₄ and L₅ are the transient loads associated with PC-2, PC-3, PC-4 and PC-5 events, respectively, including initiating occurrence plus consideration of single failure and coincident occurrences in accordance with 3.2.
- 5) Active Function - a nuclear safety function that requires mechanical motion for component operability. Functional capability of active valves two inches and greater in nominal pipe size and active pumps shall be demonstrated under service loading combinations.
- 6) Support Stability - supporting and restraining of pressure retaining components and ASME III class core support (CS) components within appropriate component design limits.
- 7) In combining earthquake loads with loads from consequential plant transients, the timing of loads shall be appropriately considered in determining the method of combination.
- 8) See 3.4.1c for determination of the magnitude of the OBE. The OBE loads shall be considered as L₃. The inertial portion of the OBE is included as part of the "design mechanical load" category of ASME III.
- 9) Service Limit C or D shall be permitted provided that an operability assurance program demonstrates functional capability under the service loading combination.
- 10) More restrictive service limits (i.e., Service Limit B or C) should be used only if necessary to ensure performance of the component nuclear safety function.
- 11) See 3.4.1.d for determination of the magnitude of the SSE. The SSE loads shall be considered as L₅.

³² Consideration of loading combinations of OBE loads plus L₂ transient loads under Service Limit B and SSE loads plus L₅ transients loads under Service Limit D have been and may continue to be required regulatory authorities.

APPENDIX 3: OXIDE REFERENCE

REFERENCE Colour Charts - CHART 1

<p>A (light) – C(darkest)</p> 	<p>B (light) – B(darkest)</p> 	<p>C (light) – D (darkest)</p> 	<p>D (light) – E (blue)</p> 	<p><2 ppm O₂</p>	<p>25 ppm O₂</p>	<p>50 ppm O₂</p>	<p>100 ppm O₂</p>	<p>Purge gas type. Argon EXTRACT FROM FORCE TECHNOLOGY Report 1337 -3-en FOR ILLUSTRATION PURPOSES ONLY</p>	<p>E</p>	<p>F</p>	<p>G</p>	<p>G - H</p>					<p>200 ppm O₂</p>	<p>500 ppm O₂</p>	<p>1000 ppm O₂</p>	<p>5000 and 10,000 ppm O₂</p>
--	--	--	--	--------------------------------	-----------------------------	-----------------------------	------------------------------	---	-----------------	-----------------	-----------------	---------------------	--	--	---	--	------------------------------	------------------------------	-------------------------------	--

APPENDIX 4: TIGHTNESS CLASSIFICATION

The definition is for BWR, the reader must interpret in PWR.

Three tightness classes:

- P (Primary)
- S (Secondary)
- K (Conventional)

Pressure retaining systems and ventilation systems are assigned tightness class. Components are tightness classified in order to give priority to the measures to keep tight system. The components where the risk/consequences for leakage is largest, receives the highest tightness class (P). This classification is not governed by any code, it was rather established by the initial supplier ASEA-ATOM.

DIVISION INTO TIGHTNESS CLASSES

The tightness class division is evident from the respective plant's classification lists. Tightness requirements and acceptance criteria for the respective tightness class is specified in TBM (PAKT). Ventilation systems are according to certain rules in TBV chapter 2 divided in tightness class S or K.

TIGHTNESS CLASS P MEDIA WITH HIGH RADIOACTIVE CONTENT

- System parts belonging to RCPB (Reactor Coolant Pressure Boundary).
- Pressurised system parts containing reactor water that are located before ion exchanger.

TIGHTNESS CLASS S MEDIA WITH LOW RADIOACTIVE CONTENT

- Pressurised system parts containing reactor water that are located after ion exchanger.
- System parts connected to system parts belonging to class P. The interface is normally constitutes of the first normally closed valve or closing device, when the flow runs from class P to class S, or via the first valve possible to close when the flow runs from class S to class P.
- System parts up to the first normally closed valve or closing device when the flow runs from class S to class K, or up to the first valve possible to close when the flow runs from class K to class S.
- System or component that constitutes a part of the reactor containment.
- Parts of the radioactive waste system and waste gas system which contain highly radioactive medium.

TIGHTNESS CLASS K

- Pressure retaining system parts not belonging to tightness class P and S.

SEALING ARRANGEMENTS – PROCESS SYSTEMS

The below summary lists requirements of sealing arrangements for flanges, valves, pumps and atmospheric storage tanks dependant of tightness class. Additional or other requirements of sealing arrangements may apply and is governed by the respective plants design principles and the plants original system design.

Deviations from the requirements below can be accepted in cases where there are motives, which is handled through a deviation report with a technical assessment.

TIGHTNESS CLASS P

Flanges shall be designed with spiral wound gasket in groove or with outer and inner support ring. Also suitable built in metallic seal can be used. For dimensions $> DN50$ (2" NPS) may the connection be prepared for seal welding.

For piping are threaded fittings not permitted inside the reactor building and normally nor outside of the reactor building.

Pipe couplings are only allowed outside the reactor building on piping with connection $\leq DN15$. For such cases there shall be an isolation valve installed between the pressurised system and the first pipe coupling.

Globe valves $\leq DN65$ (2 ½" NPS) shall be bellow sealed supplemented with single stuffing box. For valves $\leq DN15$ which is bellow sealed no stuffing box is required.

Globe valves $\geq DN65$ and other valves with stem shall be equipped with double stuffing box and intermediate drainage. In the case of double seals, each seal alone shall perform the sealing function. Stuffing box drainage shall not be combined internally in the valve with the bonnet flange drainage.

In the event of a requirement for leak detection, double seals with intermediate drainage shall be used.

For globe valves in PWR-plants shall double seals with intermediate drainage be avoided. Globe valves $\geq DN65$ shall have a single stuffing box.

Where the medium requires a high tightness, bellow sealed spindles shall be used, e.g. hydrogen.

Bolted bonnet shall for $\geq DN50$ (2" NPS) be furnished with lips for seal welding. Spiral wound gaskets are preferred.

Where technically appropriate, all valves (except diaphragm and bellows sealed valves) with axially movable spindles should be provided with a reseal to prevent leakage into the stuffing box when the valve is fully open. The reseal shall have the same quality with respect to tightness etc. as the sealing surfaces of the closing device.

Pumps shall be fully encased and designed without shaft seal.

TIGHTNESS CLASS S

Flanges shall be designed with spiral wound gasket in groove or with outer and inner support ring. Simple flat gasket may be used if design pressure is below 2 MPa.

Threaded pipe fittings can be used in drainage- and instrumentation piping with \leq DN25 (1" NPS). For such cases there shall be an isolation valve installed between the pressurised system and the first threaded pipe fitting.

Pipe couplings can be used on piping with connection \leq DN25. For such cases there shall be an isolation valve installed between the pressurised system and the first pipe coupling.

Valves with a single stuffing box may be used.

Where technically appropriate, all valves (except diaphragm and bellows sealed valves) with axially movable spindles should be provided with a reseal to prevent leakage into the stuffing box when the valve is fully open. The reseal shall have the same quality with respect to tightness etc. as the sealing surfaces of the closing device.

Bolted bonnet can be designed with spiral wound gasket in groove or built in plain gasket or O-rings. For valves \leq DN50 (2" NPS) may metallic O-rings or metallic seals be used. Self sealing bonnets with double seals and intermediate drainage shall not be used at stainless valves.

Sealing arrangements where movement or rotation between sealing surfaces occurs at compression should be avoided.

Pumps shall have encased leakage collection.

For atmospheric storage tanks may plain flat gasket or suitable built-in O-rings be used.

TIGHTNESS CLASS K

Conventional design is acceptable.