



Electricity can kill, safe electrical isolation must be adhered to



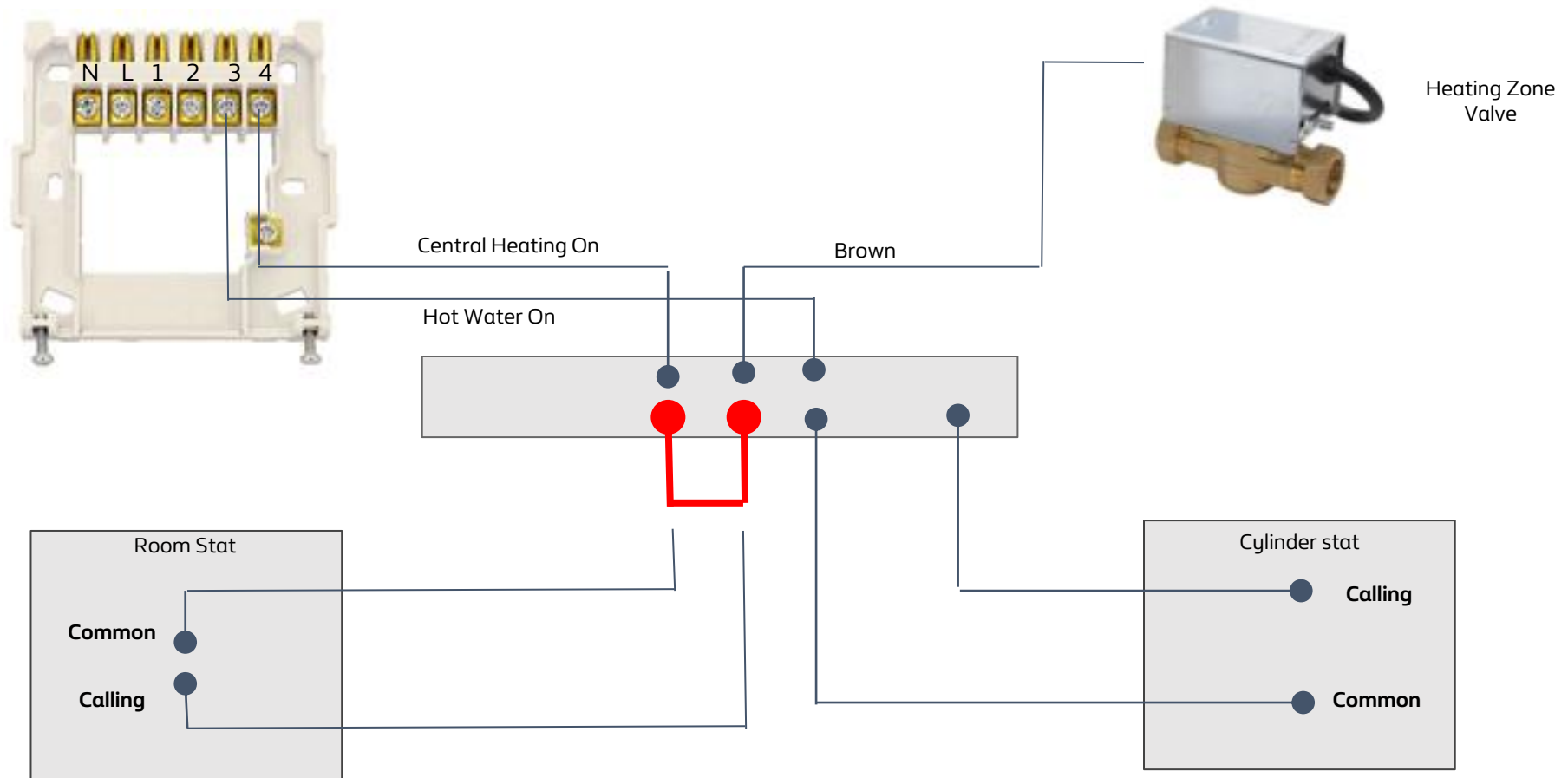
1. FIND **BROWN** WIRE ON CENTRAL HEATING ZONE VALVE
 2. LINKED INTO THE **BROWN** WILL BE ANOTHER WIRE..... THIS WILL BE **CALLING** FROM THE ROOM STAT
 3. YOU HAVE NOW FOUND THE ROOM STAT CABLE!
 4. THERE WILL BE OTHER WIRES IN THE CABLE, ONE NORMALLY BEING THE **NEUTRAL**.
 5. THE OTHER WIRE WILL BE THE COMMON.
 6. LINKED INTO THE COMMON WILL BE **CENTRAL HEATING ON** FROM THE PROGRAMMER.
 7. REMOVE THE ROOM STAT CABLE AND LINK THE **CENTRAL HEATING ON** WIRE AND THE **BROWN** WIRE TOGETHER.
 8. YOU HAVE NOW INSTALLED THE WIRING FOR HIVE IN THE WIRING CENTRE.
 9. Place the Hive in GRAVITY mode if the system has gravity Hot Water primaries with no control valve and auxiliary switch.
- If the switch is set to GRAVITY, whenever the Heating output is switched ON the Hot Water output will also be switched ON regardless of the current Hot Water programme.

All mandatory electrical checks must be carried out in line with current regulations and specific attention should be drawn to your companies Safe Working Practices.

All service checks required under regulation 26.9 should be followed at all times when working on gas appliances.



Electricity can kill, safe electrical isolation must be adhered to



All mandatory electrical checks must be carried out in line with current regulations and specific attention should be drawn to your companies Safe Working Practices.
All service checks required under regulation 26.9 should be followed at all times when working on gas appliances.