

**36V**



<b>MODEL</b>	TR-36-105-M
<b>NOMINAL VOLTAGE</b>	38.4V
<b>NOMINAL CAPACITY</b>	105Ah
<b>CELL CHEMISTRY</b>	Lithium Iron Phosphate
<b>CYCLE LIFE</b>	4000 cycles at 25°C, C/2 rate
<b>SAFETY &amp; INTELLIGENCE</b>	<ul style="list-style-type: none"> <li>• Continuous voltage, current, and temperature monitoring</li> <li>• Redundant safety protections using three levels of fusing</li> <li>• Multiple battery disconnects</li> <li>• CAN-Bus Communication</li> <li>• Bluetooth®</li> <li>• Trojan SmartBattery® App for Apple &amp; Android</li> </ul>

**PHYSICAL SPECIFICATIONS**

DIMENSIONS INCHES (MM)			WEIGHT <sup>3</sup> LBS. (KG)	TERMINAL TYPE <sup>4</sup>	TERMINAL TORQUE IN-LBS (NM)	INGRESS PROTECTION	LIFTING	EXTERIOR CASE
LENGTH	WIDTH	HEIGHT						
15.7 (399)	10.0 (255)	11.8 (301)	86 (39)	M8-1.25 Female	88.5-106 (10-12)	IP67	Rope Handles	Powder Coated Sheet Metal

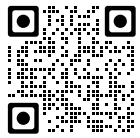
**ELECTRICAL SPECIFICATIONS**

NOMINAL VOLTAGE (V)	CAPACITY AMP-HOURS (AH)	ENERGY (WH)
38.4V	105Ah	4,032 Wh
WORKING VOLTAGE		SELF-DISCHARGE @ 77°F (25°C)
30.4V to 43.8V		1-3% per month

**TEMPERATURE SPECIFICATIONS**

DISCHARGE TEMPERATURE RANGE	CHARGE TEMPERATURE RANGE
-4°F to 140°F (-20°C TO 60°C)	32°F to 131°F (0°C TO 55°C)
STORAGE TEMPERATURE RANGE	
-40°F to 140°F (-40°C to 60°C)	

**CHARGER SPECIFICATIONS**

CHARGER SETTINGS & CHARGE PERFORMANCE	
Lithium-ion Charger Compatibility Guide - Scan the QR Code	
MAXIMUM CHARGING CURRENT @ TEMPERATURE	
< 32°F (< 0°C)	0A
32°F to 50°F (0°C to 10°C)	30A
50°F to 68°F (10°C to 20°C)	50A
68°F to 113°F (20°C to 45°C)	100A
113°F to 131°F (45°C to 55°C)	20A
> 131°F (> 55°C)	0A

**DISCHARGE SPECIFICATIONS**

PERFORMANCE AND SYSTEM SPECIFICATIONS @ 77°F (25°C)	
Maximum Continuous Discharge Current	180A
Maximum Pulse Discharge Current (30 sec)	300A
Maximum Instantaneous Discharge Current (2 sec)	525A

**SAFETY & FEATURES**

Battery Internal Safety Protections	Short Circuit Current Over/Under Charge Temperature Over/Under Discharge Temperature Over/Under Voltage Over Current Charge Over Current Discharge
Battery External Safety Protections	ON/OFF Push-Button with LED Indicator Terminal Covers Breathing Vent
Battery Features	2x Communication Connectors Passive Cell Balancing Sleep Mode Dashboard Push-Button Capability
Bluetooth Features	Instantaneous Display of Battery Metrics
Cell Certification	UN38.3, IEC 62619, & UL 1973
Battery Certifications	Certified to UN38.3, FCC, CE Complies with UL 2271
Shipping Classification	UN3480, Class 9

**INTELLECTUAL PROPERTY**

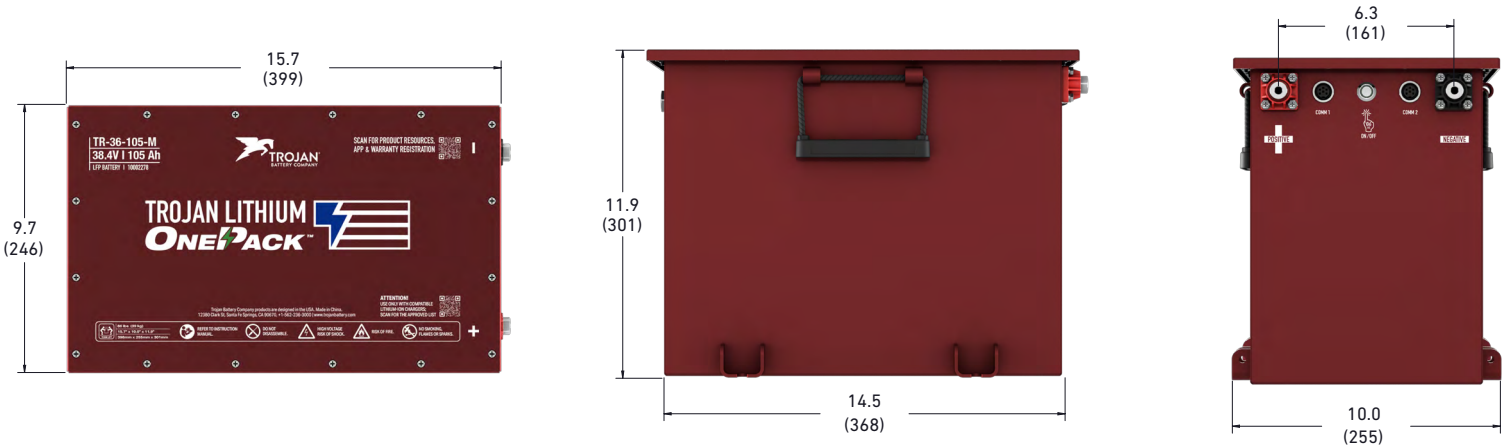
Patent(s) pending
-------------------



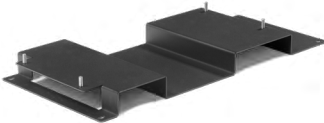



Do not mix with lead-acid batteries when recycling  
Trojan Battery Company products are designed in the USA.  
Made in China.

# BATTERY DIMENSIONS

Dimensions: inches (mm)



BATTERY ACCESSORIES	
<p><b>BATTERY STATE-OF-CHARGE INDICATOR</b></p> <p>Three-Line Display of Voltage, SOC, &amp; Current Audible &amp; Visual Alarms Water &amp; Dust Proof Backlight for Easy Viewing</p> 	<p><b>DASHBOARD POWER BUTTON</b></p> <p>Easily Turn Batteries ON/OFF from Dashboard Water &amp; Dust Proof Easy Dashboard Installation</p> 
<p><b>MOUNTING BRACKET KITS</b></p> <p>Custom Mounting Brackets for Specific Vehicles All Hardware Included Easy Drop-in Installation</p> 	<p><b>MOBILE APPLICATION</b></p> <p>Trojan Smartbattery® Virtual Battery Monitoring App Connects via Bluetooth® to Battery Displays SOC, Voltage, Current, Temperature, &amp; More View Multiple Batteries at One Time Available on Google Play and Apple iOS Store</p> 

## TECHNICAL SUPPORT

Call Trojan Battery Technical Support:  
United States and Canada: 800-423-6569, dial ext. 3045  
International: +1-562-236-3045

Email: [technical@trojanbattery.com](mailto:technical@trojanbattery.com)

On the web: [trojanbattery.com/resources/technical-support](http://trojanbattery.com/resources/technical-support)



A. Terminal images are representative only  
B. Weight may vary

