

Proposed Industrial Estate - Lot 4

Abbotts Road, Kemps Creek Landscape Development Application

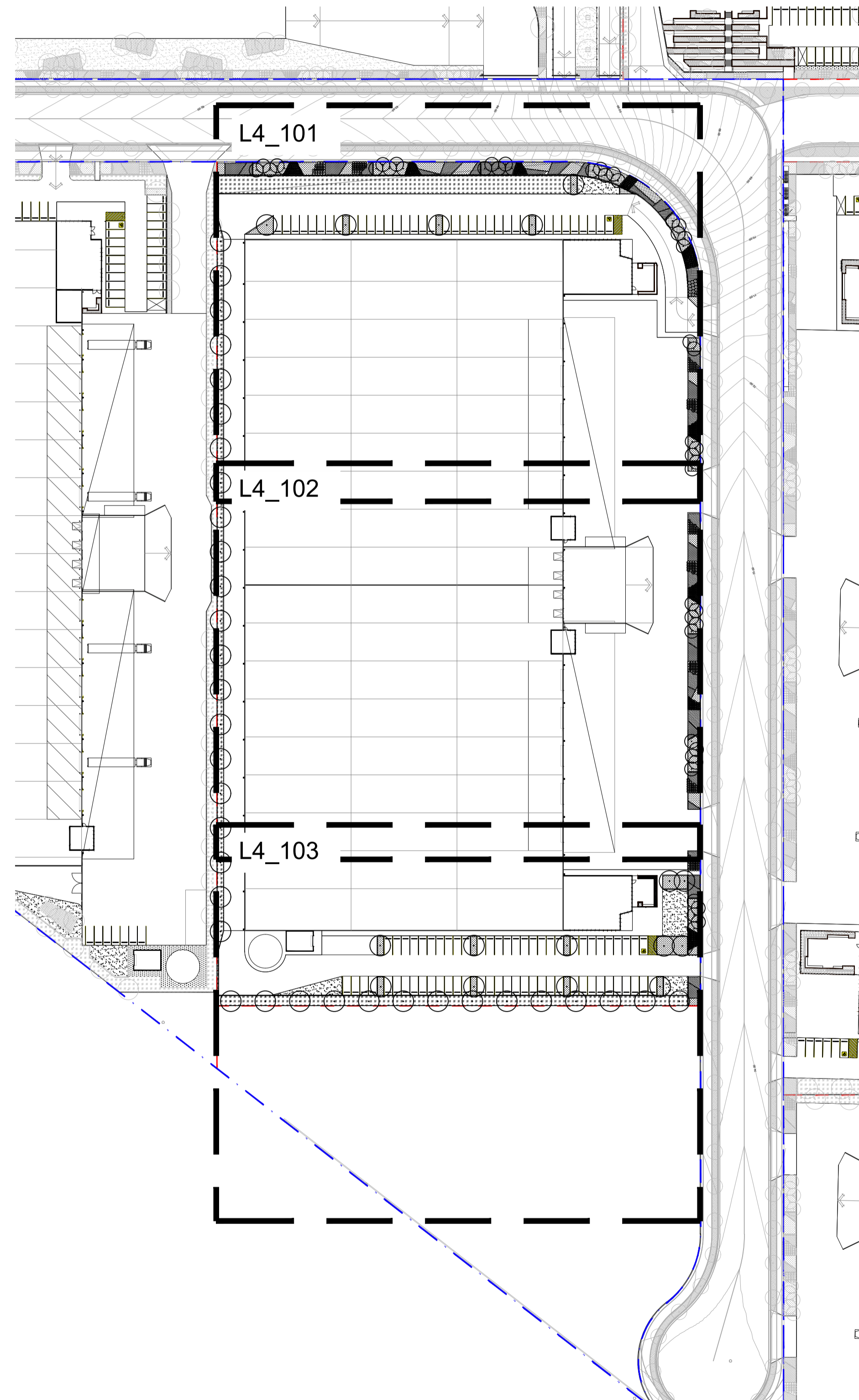
© 2016 Site Image (NSW) Pty Ltd ABN 44 801 262 380 as agent for Site Image NSW Partnership. All rights reserved. This drawing is copyright and shall not be reproduced or copied in any form or by any means (graphic, electronic or mechanical including photocopy) without the written permission of Site Image (NSW) Pty Ltd. Any license, expressed or implied, to use this document for any purpose what so ever is restricted to the terms of the written agreement between Site Image (NSW) Pty Ltd and the instructing party.

The contractor shall check and verify all work on site (including work by others) before commencing the landscape installation. Any discrepancies are to be reported to the Project Manager or Landscape Architect prior to commencing work. Do not scale this drawing. Any required dimensions not shown shall be referred to the Landscape Architect for confirmation.

Drawing Schedule

Drawing Number	Drawing Title	Scale
L4_000	Landscape Coversheet - Lot 4	N/A
L4_101	Landscape Plan - Lot 4	1:200
L4_102	Landscape Plan - Lot 4	1:200
L4_103	Landscape Plan - Lot 4	1:200
L4_501	Landscape Details	As Shown

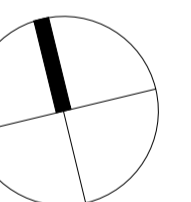
Plant Schedule									
Botanic Name	Common Name	Mature Size	Pot Size	Density	Qty	ESR List	DCP Tree		
Trees									
Cm	<i>Corymbia maculata</i>	Forest Red Gum	25 x 15	100L	As Shown	48		*	
Ms	<i>Melaleuca styphelioides</i>	Prickly Paperbark	10 x 4m	100L	As Shown	47			
Shrubs									
Ca	<i>Correa alba</i>	White Correa	1 x 1	300mm	As Shown	416		*	
MCT	<i>Melaleuca 'Claret Tops'</i>	Honey Myrtle	1 x 1	300mm	As Shown	105		*	
ROP	<i>Rhaphiolepis 'Oriental Pearl'</i>	Indian Hawthorne	0.8 x 1	300mm	As Shown	127		*	
Wf	<i>Westingia fruticosa</i>	Coastal Rosemary	1.2 x 1.2	300mm	As Shown	44		*	
Grasses and Groundcovers									
Cg	<i>Carpobrotus glaucescens</i>	Pigface	0.3 x 2	150mm	As Shown	464		*	
Gt	<i>Gazania tomentosa</i>	Silver Leaf Gazania	0.1 x 1	150mm	As Shown	2440		*	
Lm	<i>Linopoe muscari</i>	Linopoe 'Evergreen Giant'	0.6 x 0.6	150mm	As Shown	367		*	
LT	<i>Lomandra 'Tanika'</i>	Tanika Mat-Rush	0.6 x 0.6	150mm	As Shown	947		*	
Mp	<i>Myoporum parvifolium</i>	Creeping Boobialla	0.3 x 1	150mm	As Shown	35		*	
PR	<i>Pennisetum Rubrum</i>	Fountain Grass	0.9 x 0.6	150mm	As Shown	845		*	
Groundcover Planting Matrix									
Cg	<i>Carpobrotus glaucescens</i>	Pigface	0.3 x 2	150mm	As Shown	2151		*	
Gt	<i>Gazania tomentosa</i>	Silver Leaf Gazania	0.1 x 1	150mm	As Shown	2151		*	
Mp	<i>Myoporum parvifolium</i>	Creeping Boobialla	0.3 x 1	150mm	As Shown	2151		*	



Site Plan | 1:1000

Issue	Revision Description	Drawn	Check	Date
C	Planting Added	RH	NM	12.04.2022
B	Architectural Coordination	RH	NM	28.02.2022
A	For Comment	JW	NM	16.12.2020

LEGEND



Client:
ESR

Project:
Proposed Industrial Estate
Abbotts Road Kemps Creek

SITE IMAGE
Level 1, 3-5 Baptist Street
Redfern NSW 2016
Australia
Tel: (61 2) 8332 5600
Fax: (61 2) 9698 2877
www.siteimage.com.au
Site Image (NSW) Pty Ltd
ABN 44 801 262 380
Landscape Architects

PRELIMINARY

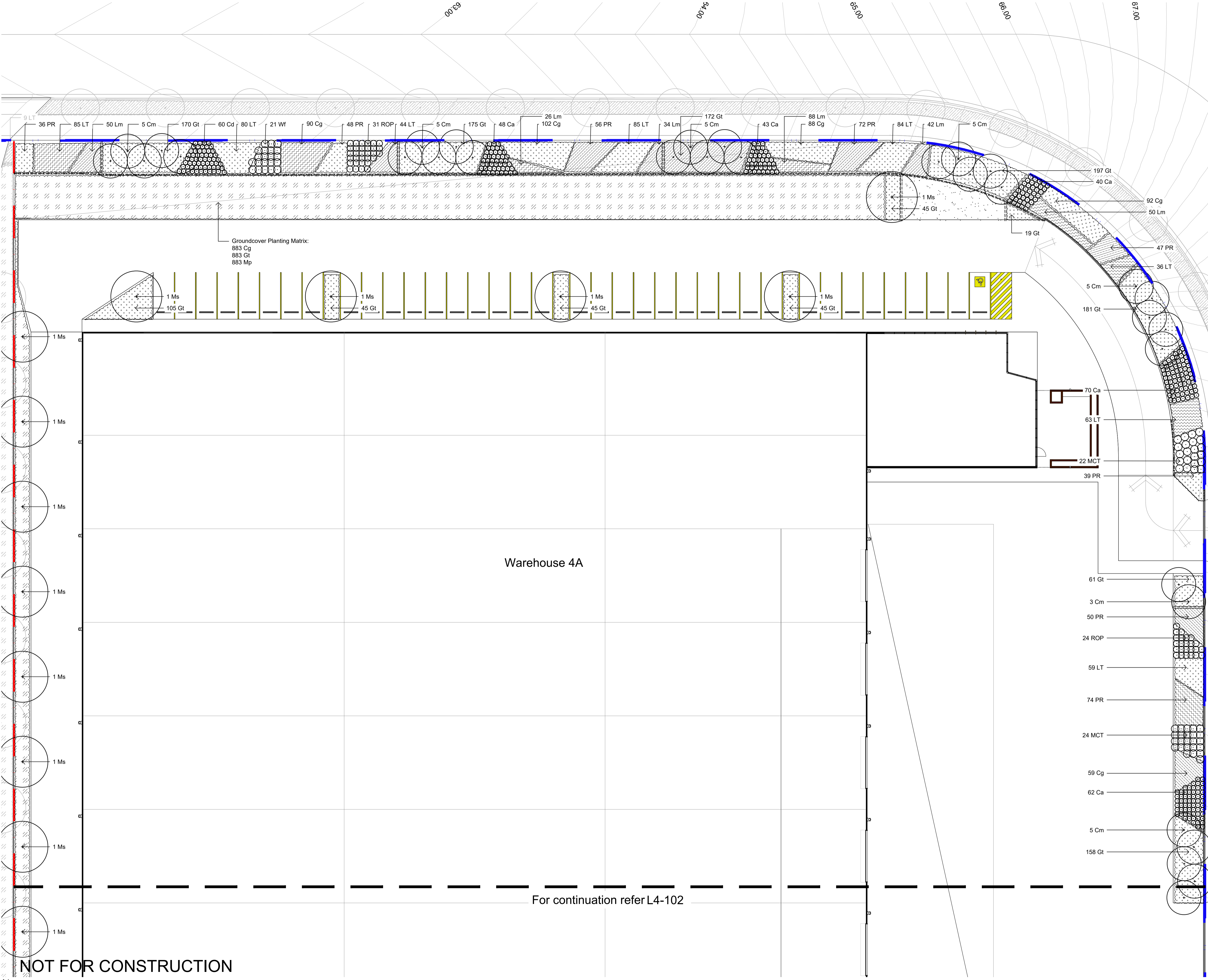
Drawing Name:
Landscape Cover Sheet
Lot 4

Scale:
Job Number: Drawing Number: Issue:
SS20-4546 L4-000 B

NOT FOR CONSTRUCTION

© 2016 Site Image (NSW) Pty Ltd ABN 44 801 262 380 as agent for Site Image NSW Partnership. All rights reserved. This drawing is copyright and shall not be reproduced or copied in any form or by any means (graphic, electronic or mechanical including photocopy) without the written permission of Site Image (NSW) Pty Ltd. Any license, expressed or implied, to use this document for any purpose whatsoever is restricted to the terms of the written agreement between Site Image (NSW) Pty Ltd and the instructing party.

The contractor shall check and verify all work on site (including work by others) before commencing the landscape installation. Any discrepancies are to be reported to the Project Manager or Landscape Architect prior to commencing work. Do not scale this drawing. Any required dimensions not shown shall be referred to the Landscape Architect for confirmation.



C	Planting Added	RH	NM	12.04.2022
B	Architectural Coordination	RH	NM	28.02.2022
A	For Comment	JW	NM	16.12.2020
Issue	Revision Description	Drawn	Check	Date

- LEGEND**
- Estate Boundary
 - Lot Boundary
 - Proposed Trees
 - Proposed Shrubs and Accents
 - Proposed Grasses and Groundcovers
 - Planting Matrix
 - Turf
 - Fence
 - Concrete Edge
 - Decomposed Granite Paving
 - Mulch
 - Groundcover Planting Matrix

Client:
ESR

Project:
**Proposed Industrial Estate
Abbots Road Kemp's Creek**

SITE IMAGE
Landscape Architects
Level 1, 3-5 Baptist Street
Redfern NSW 2016
Australia
Tel: (61 2) 8332 5600
Fax: (61 2) 9698 2877
www.siteimage.com.au
Site Image (NSW) Pty Ltd
ABN 44 801 262 380

PRELIMINARY
Drawing Name:
**Landscape Plan
Lot 4**
Scale: 1:200 @ A1
Job Number: **SS20-4546**
Drawing Number: **L4-101**
Issue: **C**

NOT FOR CONSTRUCTION

For continuation refer L4-102

A1

© 2016 Site Image (NSW) Pty Ltd ABN 44 801 262 380 as agent for Site Image NSW Partnership. All rights reserved. This drawing is copyright and shall not be reproduced or copied in any form or by any means (graphic, electronic or mechanical including photocopy) without the written permission of Site Image (NSW) Pty Ltd. Any license, expressed or implied, to use this document for any purpose whatsoever is restricted to the terms of the written agreement between Site Image (NSW) Pty Ltd and the instructing party.

The contractor shall check and verify all work on site (including work by others) before commencing the landscape installation. Any discrepancies are to be reported to the Project Manager or Landscape Architect prior to commencing work. Do not scale this drawing. Any required dimensions not shown shall be referred to the Landscape Architect for confirmation.

For continuation refer L4-101

Warehouse 4B

For continuation refer L4-103

- 50 PR
- 24 ROP
- 59 LT
- 74 PR
- 24 MCT
- 59 Cg
- 62 Ca
- 5 Cm
- 158 Gt
- 60 PR
- 75 LT
- 23 Wf
- 69 Cg
- 23 Mp
- 41 Lm
- 35 MCT
- 82 LT
- 46 PR
- 5 Cm
- 174 Gt
- 54 PR
- 25 ROP
- 61 LT
- 23 PR

Issue	Revision Description	Drawn	Check	Date
C	Planting Added	RH	NM	12.04.2022
B	Architectural Coordination	RH	NM	28.02.2022
A	For Comment	JW	NM	16.12.2020

- LEGEND**
- Estate Boundary
 - Lot Boundary
 - Proposed Trees
 - Proposed Shrubs and Accents
 - Proposed Grasses and Groundcovers
 - Planting Matrix
 - Turf
 - Fence
 - Concrete Edge
 - Decomposed Granite Paving
 - Mulch
 - Groundcover Planting Matrix

Client:
ESR

Project:
**Proposed Industrial Estate
Abbots Road Kemp's Creek**

SITE IMAGE
Landscape Architects

Level 1, 3-5 Baptist Street
Redfern NSW 2016
Australia
Tel: (61 2) 8332 5600
Fax: (61 2) 9698 2877
www.siteimage.com.au
Site Image (NSW) Pty Ltd
ABN 44 801 262 380

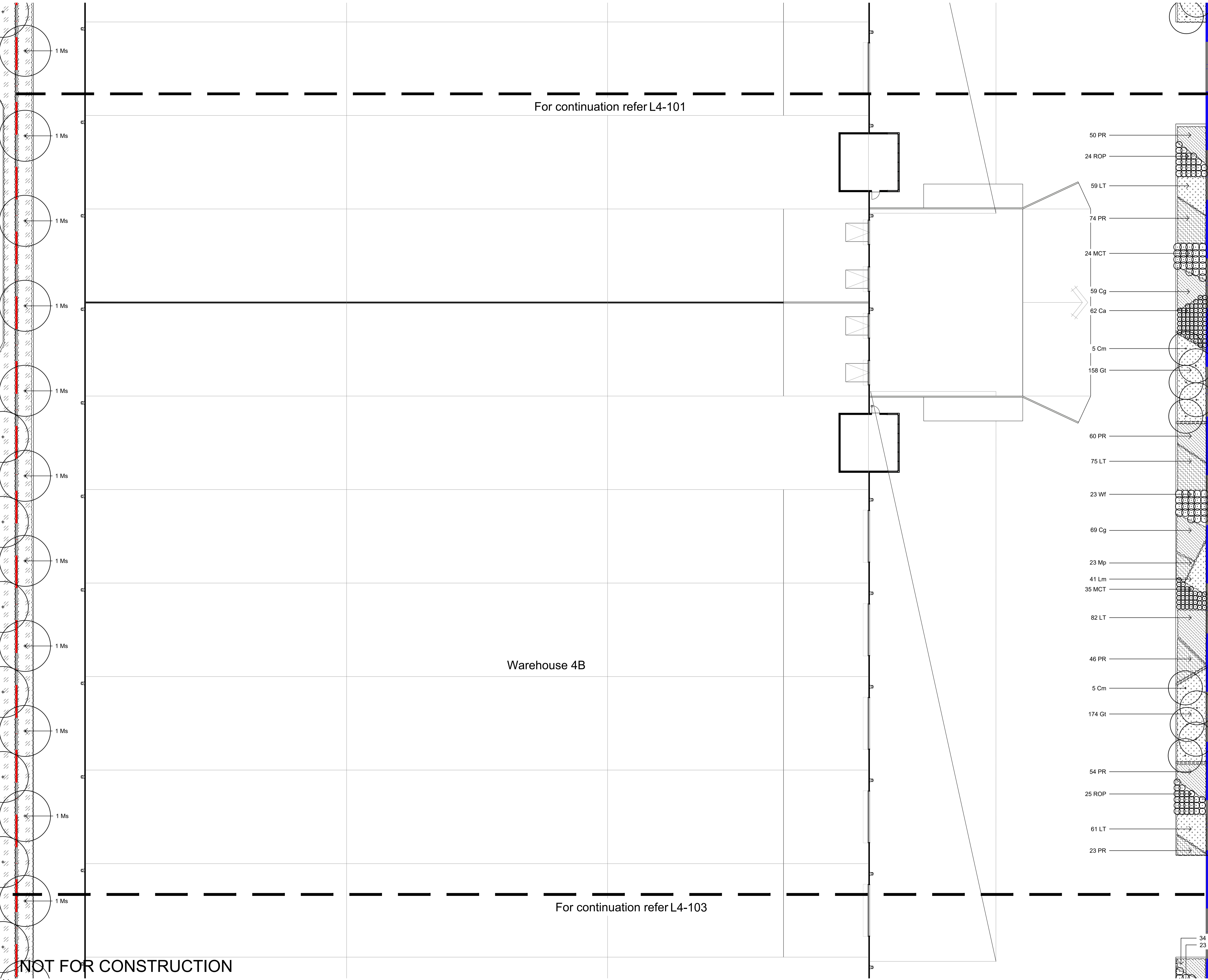
PRELIMINARY

Drawing Name:
**Landscape Plan
Lot 4**

Scale: 1:200 @ A1
Job Number:
SS20-4546

Drawing Number:
L4-102

Issue:
C

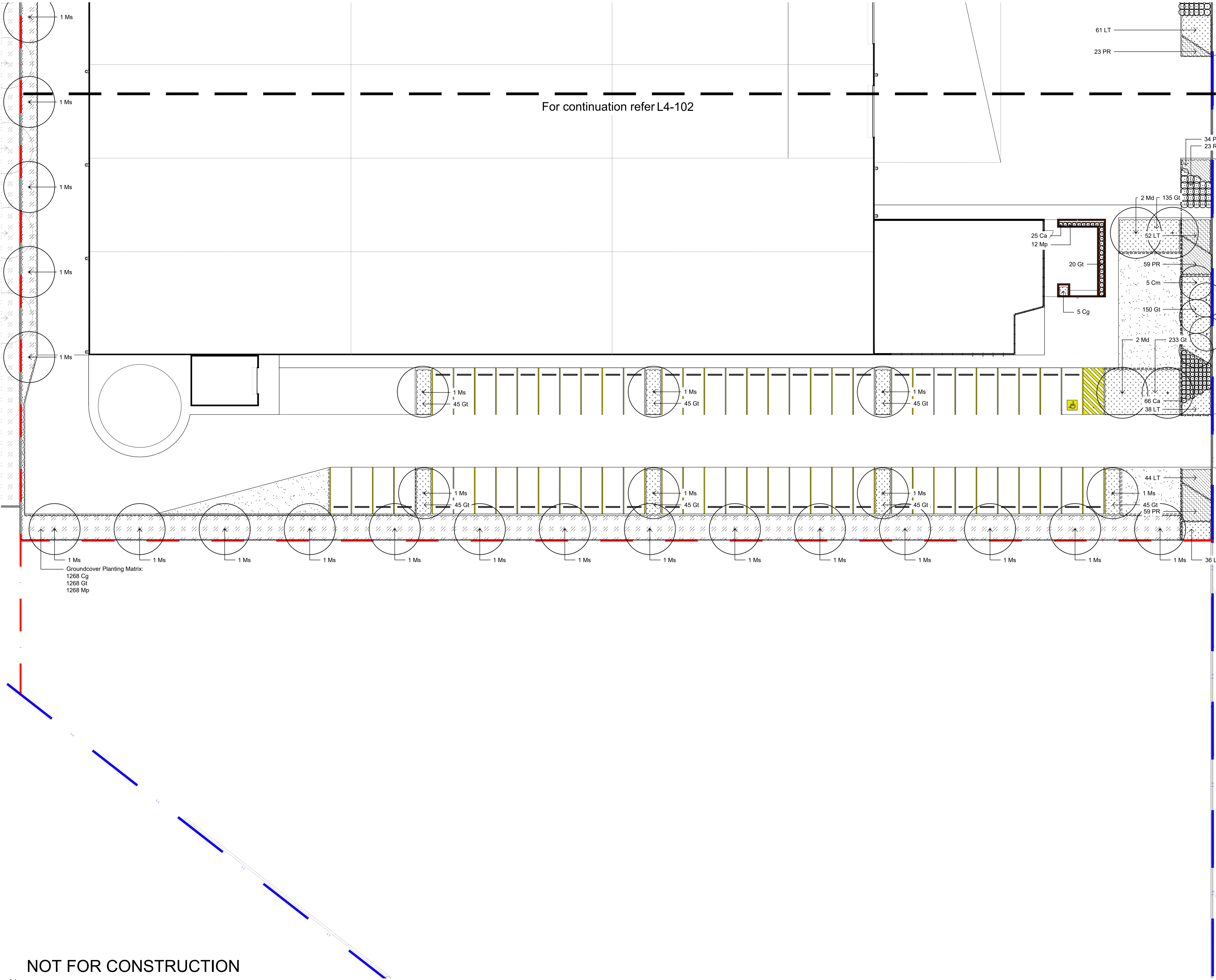


NOT FOR CONSTRUCTION

A1

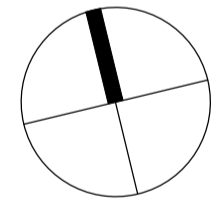
© 2016 Site Image (NSW) Pty Ltd ABN 44 801 262 380 as agent for Site Image NSW Partnership. All rights reserved. This drawing is copyright and shall not be reproduced or copied in any form or by any means (graphic, electronic or mechanical including photocopy) without the written permission of Site Image (NSW) Pty Ltd. Any license, expressed or implied, to use this document for any purpose whatsoever is restricted to the terms of the written agreement between Site Image (NSW) Pty Ltd and the instructing party.

The contractor shall check and verify all work on site (including work by others) before commencing the landscape installation. Any discrepancies are to be reported to the Project Manager or Landscape Architect prior to commencing work. Do not scale this drawing. Any required dimensions not shown shall be referred to the Landscape Architect for confirmation.



Issue	Revision Description	Drawn	Check	Date
C	Planting Added	RH	NM	12.04.2022
B	Architectural Coordination	RH	NM	28.02.2022
A	For Comment	JW	NM	16.12.2020

- LEGEND**
- Estate Boundary
 - Lot Boundary
 - Proposed Trees
 - Proposed Shrubs and Accents
 - Proposed Grasses and Groundcovers
 - Planting Matrix
 - Turf
 - Fence
 - Concrete Edge
 - Decomposed Granite Paving
 - Mulch
 - Groundcover Planting Matrix



Client:
ESR

Project:
**Proposed Industrial Estate
Abbots Road Kemp's Creek**

SITE IMAGE
Level 1, 3-5 Baptist Street
Redfern NSW 2016
Australia
Tel: (61 2) 8332 5600
Fax: (61 2) 9698 2877
www.siteimage.com.au
Site Image (NSW) Pty Ltd
ABN 44 801 262 380
Landscape Architects

PRELIMINARY

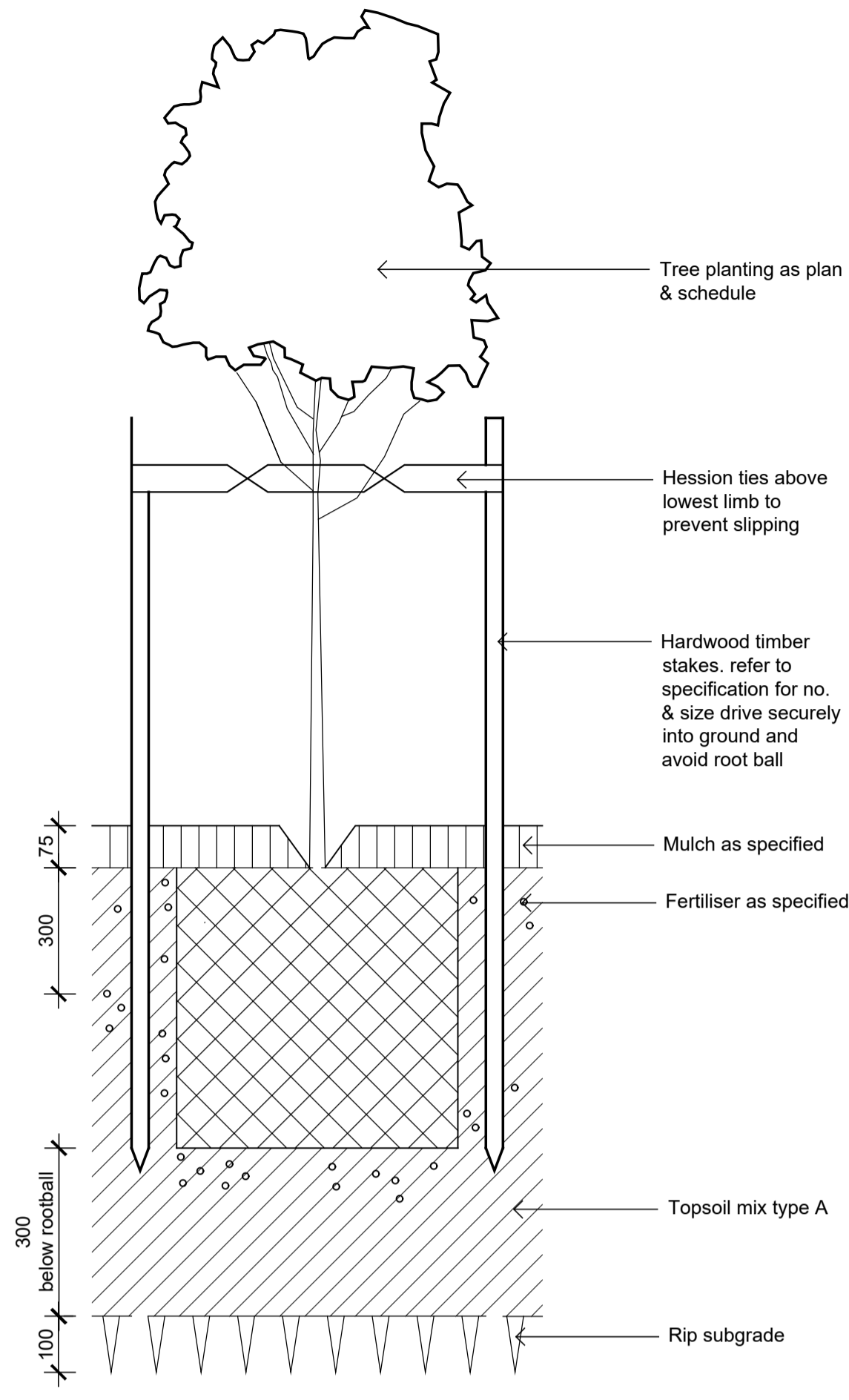
Drawing Name:
**Landscape Plan
Lot 4**

Scale: 1:200 @ A1
Job Number: SS20-4546
Drawing Number: L4-103
Issue: C

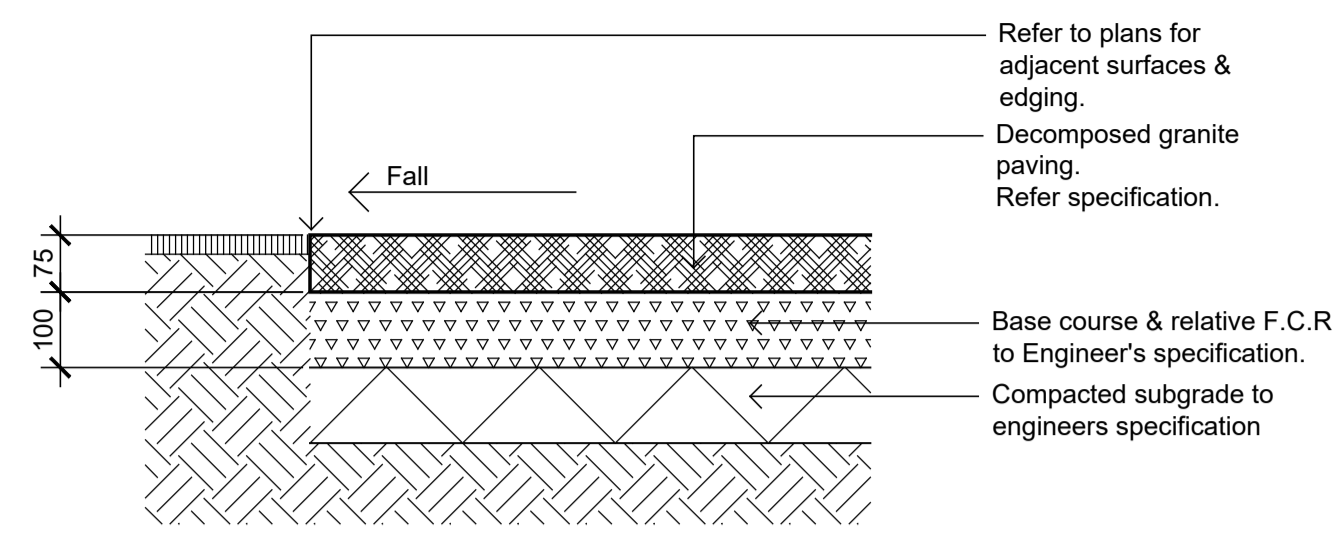
NOT FOR CONSTRUCTION

The contractor shall check and verify all work on site (including work by others) before commencing the landscape installation. Any discrepancies are to be reported to the Project Manager or Landscape Architect prior to commencing work. Do not scale this drawing. Any required dimensions not shown shall be referred to the Landscape Architect for confirmation.

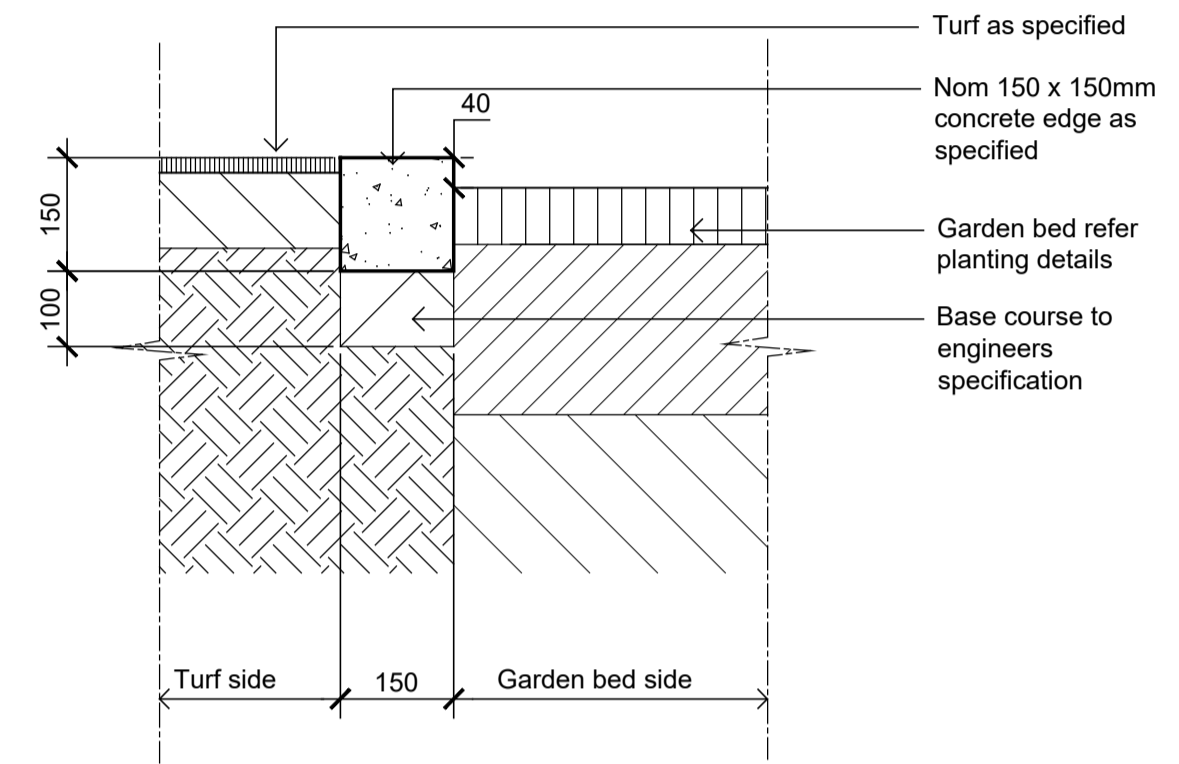
Issue	Revision	Description	Drawn	Check	Date
C	Planting Added		RH	NM	12.04.2022
B	Architectural Coordination		RH	NM	04.03.2022
A	For Comment		JW	NM	16.12.2020



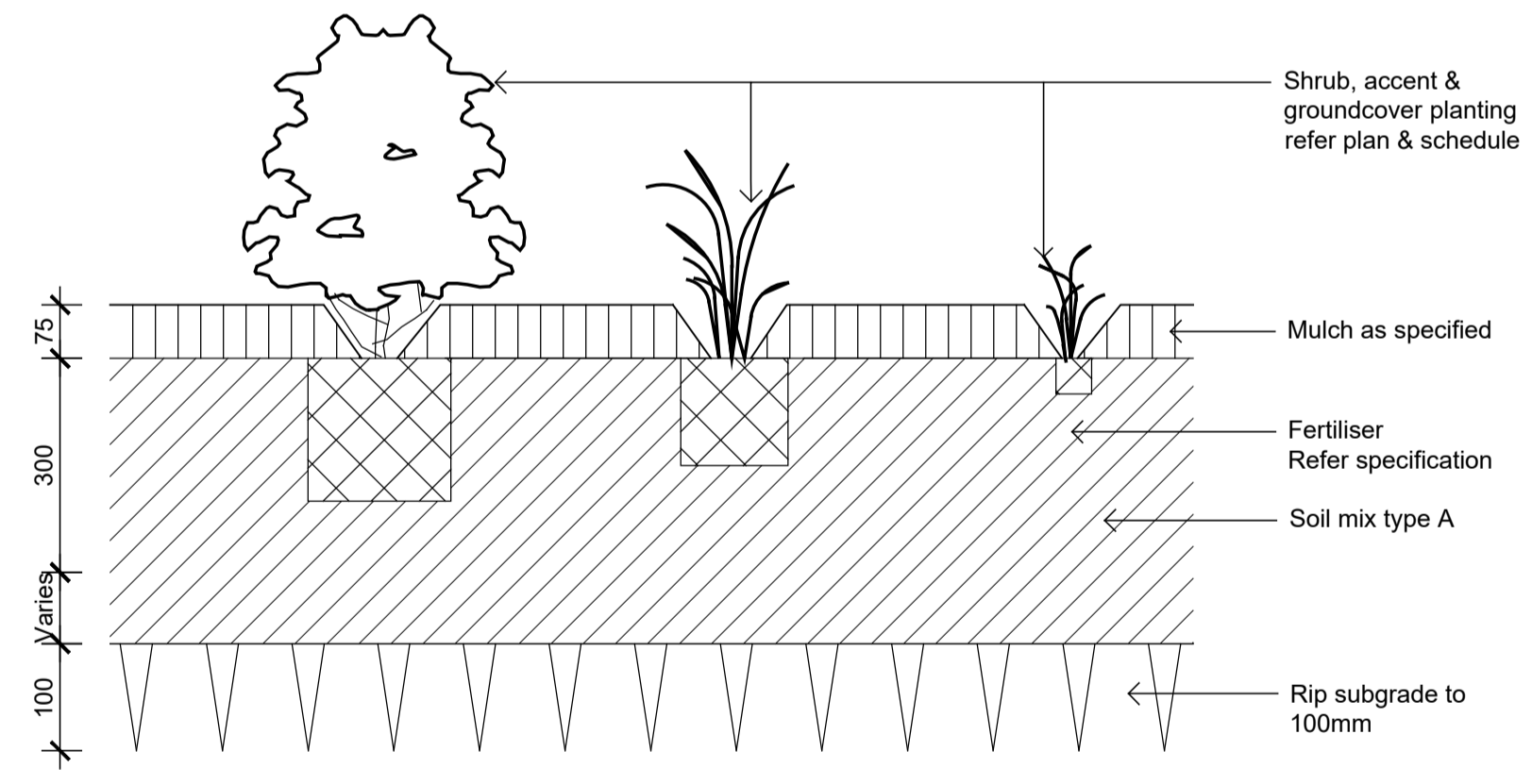
Detail 75-200L Tree Planting on Grade
1:10



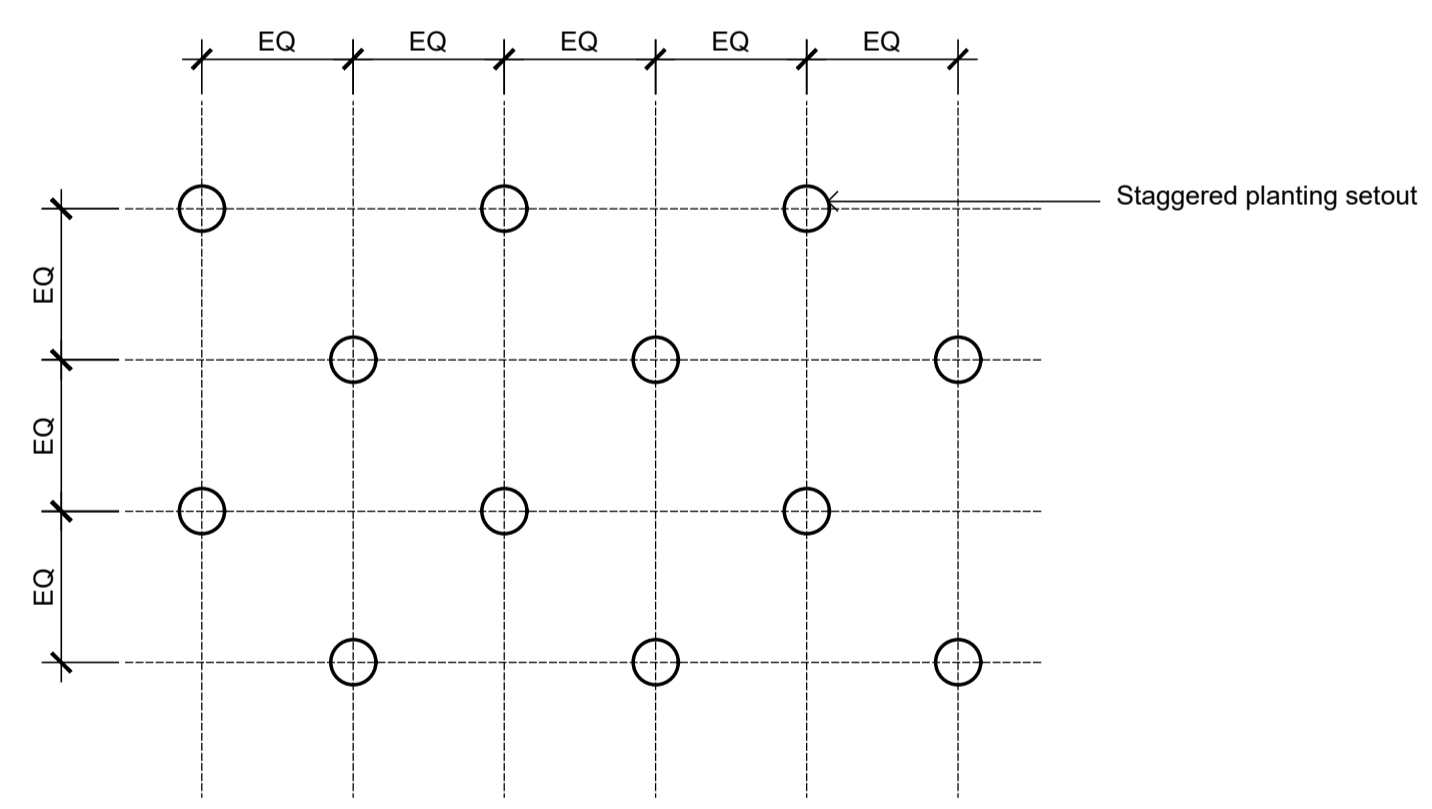
Decomposed Granite Paving on Grade
1:10



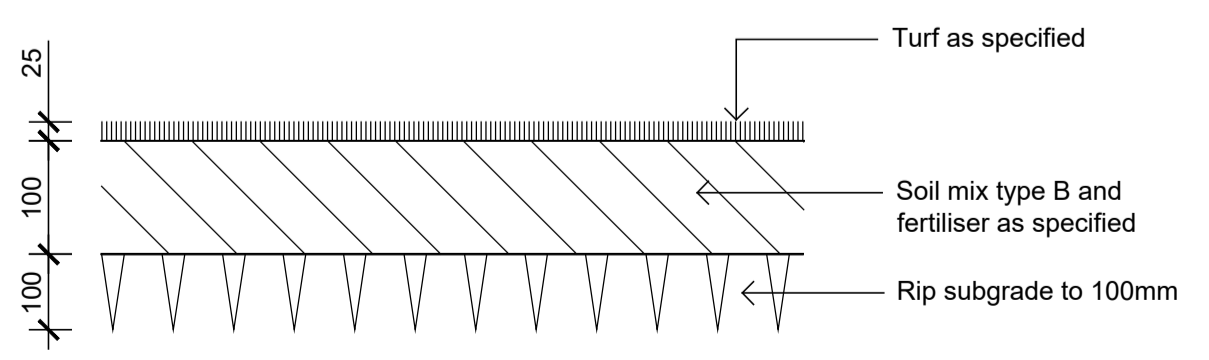
Typical Concrete Edge
1:10



Detail Shrub Accent & Groundcover Planting
1:10



Groundcover Planting Matrix
1:10



Detail Turf on Even Grade
1:10

Client:
ESR

Project:
**Proposed Industrial Estate
Abbotts Road Kemp's Creek**

SITE IMAGE
Level 1, 3-5 Baptist Street
Redfern NSW 2016
Australia
Tel: (61 2) 8332 5600
Fax: (61 2) 9698 2877
www.siteimage.com.au
Site Image (NSW) Pty Ltd
ABN 44 801 262 380
Landscape Architects

PRELIMINARY
Drawing Name:
Landscape Details

Scale: 1:200 @ A1
Job Number:
Drawing Number:
Issue:

SS20-4546
L4-501 C

NOT FOR CONSTRUCTION