

Owner's manual

***SUPERBIKE***

***1199*** PANIGALE R



Owner's manual

ENGLISH

***SUPERBIKE***

***1199*** PANIGALE R

This manual forms an integral part of the motorcycle and must be kept with it whole its service life.

If the motorcycle is resold, the manual must always be handed over to the new owner.

This manual must be preserved with care. If it is lost or becomes damaged, contact a Ducati Dealer or authorised Service Centre without delay to obtain a new copy of the manual.

The quality standards and safety of Ducati motorcycles are steadily improved as new design solutions, equipment and accessories are developed. While the information contained in this manual is current at the time of going to print, Ducati Motor Holding S.p.A. reserves the right to make changes at any time without notice and without any obligations. For this reason, the illustrations in this manual might differ from your motorcycle.

Any and all reproduction or spreading of the contents herein in whole or in part is forbidden. All rights reserved to Ducati Motor Holding S.p.A. Any request for written authorisation to do so shall be addressed to this company, specifying the reasons for request.

Enjoy your ride!

# Table of contents

Foreword	7
Safety guidelines	7
Safety alerts	8
Permitted use	9
Rider's obligations	10
Rider training	12
Riding gear	12
Best practices for motorcycle safety	13
Refuelling	15
Carrying the maximum load allowed	16
Dangerous products - warnings	17
Vehicle identification number	19
Engine identification number	20
Instrument panel (Dashboard)	22
Instrument panel	22

Acronyms and abbreviations used in the Manual	26
Technological Dictionary	26
Function push-buttons	29
How to set/display parameters	30
Main functions	37
Riding Mode	44
DTC	49
EBC	56
DQS	60
ABS	61
Menu 1 functions	65
Menu 1: Odometer (TOT)	66
Menu 1: Trip meter 1 (TRIP 1)	68
Menu 1: Trip meter 2 (TRIP 2)	70
Menu 1: Partial fuel reserve counter (TRIP FUEL)	72
Menu 1: Lap time (LAP time)	74
MENU 2 functions	78
MENU 2: Coolant temperature	79
MENU 2: Instantaneous fuel consumption	81
MENU 2: Average fuel consumption	82
MENU 2: Average speed	84
MENU 2: Trip time	86
MENU 2: Air temperature	87
Auxiliary functions	88

- CLOCK 90
- Service warning (SERVICE) 91
- Zero OIL SERVICE warning 92
- OIL SERVICE or DESMO SERVICE warning 94
- Warnings/Alarms (Warning) 95
- Error indication 99
- Displayed error description 101
- Side stand status display 106
- Setting MENU 107
- Customising Riding Modes 110
- Riding mode customisation: ABS adjustment 113
- Riding mode customisation: electronic suspension adjustment 116
- Customising Riding Modes: Display setting 121
- Customising Riding Modes: DQS enable/disable 124
- Customising Riding Modes: DTC level setting 127
- Customising Riding Modes: Engine setting 130
- Customising Riding Modes: EBC level setting 134
- Customising Riding Modes: Restore default settings 136
- Engine rpm digital indication (RPM) 138
- Battery voltage 139
- DDA 141
- Pin Code 146
- Changing the PIN CODE 150
- Clock setup 154
- Setting the date 158
- Setting the display background 163
- LAP 165
- Setting the unit of measurement 171
- Display background colour 182
- Light control 184
- The Immobilizer system 189
- Keys 190
- Operation 191
- Duplicate keys 192
- Vehicle release through PIN CODE 193
- Controls 197**
- Position of motorcycle controls 197
- Ignition switch and steering lock 198
- Left-hand switch 199
- Clutch lever 200
- Right-hand switch 201
- Throttle twistgrip 202
- Front brake lever 203
- Rear brake pedal 204
- Gear change pedal 205

Adjusting the position of the gearchange and rear  
brake pedals 206

## Main components and devices 208

Position on the vehicle 208  
Tank filler plug 209  
Seat lock 210  
Side stand 211  
Steering damper 213  
Adjusting the front fork 214  
Adjusting the rear shock absorber 215  
Motorcycle setting adjustment 216

## Riding the motorcycle 219

Running-in recommendations 219  
Pre-ride checks 222  
Starting the engine 225  
Moving off 225  
Braking 227  
ABS system 227  
Stopping the motorcycle 229  
Parking 229  
Refuelling 230  
Tool kit and accessories 231

## Main maintenance operations 234

Remove the fairing 234  
Side fairings 235  
Change the air filter 236  
Check and top up the coolant level 237  
Check brake and clutch fluid level 239  
Check brake pads for wear 241  
Charge the battery 242  
Charge and maintenance of the battery during winter  
storage 245  
Check drive chain tension 247  
Chain lubrication 249  
Replace the high and low beam bulbs 249  
Rear turn indicators 249  
Beam setting 250  
Adjust rear-view mirrors 252  
Tubeless tyres 253  
Check engine oil level 255  
Clean and replace the spark plugs 257  
Clean the motorcycle 258  
Storing the motorcycle 259  
Important notes 260

## Scheduled maintenance chart 261

Scheduled maintenance chart: operations to be performed by the Dealer 261

Scheduled maintenance chart: operations to be performed by the customer 265

Technical data 266

Weights 266

Overall dimensions 267

Top-ups 268

Engine 269

Timing system 270

Performance data 271

Spark plugs 271

Fuel system 271

Brakes 271

Transmission 272

Frame 273

Wheels 273

Tyres 273

Suspensions 273

Exhaust system 274

Available colours 274

Electrical system 275

Routine maintenance record 281

Routine maintenance record 281

# Foreword

## Safety guidelines

We would like to welcome you among Ducati enthusiasts, and congratulate you on your excellent choice of motorcycle. We think you will ride your Ducati motorcycle for long journeys as well as short daily trips. Ducati Motor Holding S.p.A. wishes you smooth and enjoyable riding.

Your motorcycle is the result of Ducati Motor Holding S.p.A.'s on-going research and development efforts. It is important that you preserve its quality standard by strictly observing the maintenance plan and using genuine spare parts.

This manual provides instructions on minor maintenance operations. Major maintenance operations are described in the Service Manual available to Ducati Authorised Service Centres. In your own interest, for your safety and in order to guarantee product reliability, you are strongly advised to refer to our authorised Dealers and Service Centres for any operations listed in the scheduled maintenance chart, see page 261.

Our highly skilled staff have access to special implements and appropriate equipment required to perform any servicing job at best, and use Ducati original spare parts only as the best guarantee for full interchangeability, smooth running and long life.

All Ducati motorcycles come with a Warranty Card. The warranty does not apply to motorcycles used in racing competitions. Tampering with or altering any components, even partially, will make the warranty null and void effective immediately. Improper or poor maintenance, using other than original spare parts or parts not expressly approved by Ducati may invalidate your warranty rights and lead to damage or loss of performance.

Your safety and that of other road users are very important. Ducati Motor Holding S.p.A. recommends that you ride responsibly.

Before using your motorcycle for the first time, read this entire manual carefully and closely follow the guidelines outlined in it. The manual provides full information on proper motorcycle operation and maintenance. In case of any doubts, please call a Dealer or Authorised Service Centre.

## Safety alerts



To alert you to potential hazards that could potentially harm you or other persons, the following safety alerts have been used:

- Safety labels on motorcycle;
- Safety messages preceded by a warning symbol and the word WARNING or IMPORTANT.



### Warning

Failure to comply with these instructions may put you at risk and result in severe injury to rider or other persons or even death.



### Important

Possibility of damaging the motorcycle and/or its components.



### Note

Additional information concerning the job being carried out.

The terms RIGHT and LEFT are referred to the motorcycle viewed from the riding position.

## Permitted use

This motorcycle must be used only on asphalted roads or on level, regular pavement. This motorcycle may not be used for riding on dirt trails or for off-road riding.



### Warning

Off-road use may result in loss of control and lead to vehicle damage or injury or even death.



### Warning

This motorcycle may not be used to tow any trailers or with a side-car attached; this can lead to loss of control and result in an accident.

This motorcycle is designed to carry the rider and may carry a passenger when the supplied kit is installed. The kit may only be installed at a Ducati Dealer or authorised Service Centre.



### Warning

The total weight of the motorcycle in running order including rider, passenger, luggage and additional accessories load should not exceed: 370 kg/816 lb.

## Rider's obligations

All riders must hold a valid licence.

### Warning

Riding without a licence is illegal and is prosecuted by law. Always make sure you have your licence with you when riding. Do not let inexperienced riders or persons without a valid licence use your motorcycle.

Do not ride under the influence of alcohol and/or drugs.

### Warning

Riding under the influence of alcohol and/or drugs is illegal and is prosecuted by law.

Do not take prescription or other drugs before riding unless you have consulted your doctor about their side effects.

### Warning

Some medications and drugs may cause drowsiness or other effects that slow down reaction time and the rider's ability to control the motorcycle, possibly leading to an accident.

Some states require vehicle insurance.

### Warning

Check your state laws. Obtain insurance coverage and keep your insurance document secure with the other motorcycle documents.

To protect rider and passenger safety, some states mandate the use of a certified helmet.

### Warning

Check your state laws. Riding without a helmet may be punishable by law.

### Warning

Riders without helmets are more likely to suffer severe bodily injury or die if they are in an accident.



## Warning

Check that your helmet complies with safety specifications, permits good vision, is the right size for your head, and carries a certification label indicating that it conforms to the standards in force in your state. Road traffic laws differ from state to state. Learn about traffic laws in your state before riding and always obey them.

## Rider training

Accidents are frequently due to inexperience. Driving a motorcycle is different from driving other vehicles and requires specific riding and braking techniques.



### Warning

Poor training or improper operation of the vehicle can lead to loss of control, death or severe damage.

## Riding gear

Riding gear is very important for safety. Unlike cars, a motorcycle offers no impact protection in an accident.

Proper riding gear includes helmet, eye protection, gloves, boots, long sleeve jacket and long pants.

- The helmet must meet the requirements listed at page page 10; if your helmet does not have a visor, use suitable eye wear;
- Use five-finger gloves made from leather or abrasion-resistant material;
- Riding boots or shoes must have non-slip soles and offer ankle protection;

- Jacket, pants or riding suit must be made from leather or abrasion-resistant material and have high-visibility colours and inserts.



### Important

Never wear loose clothing, items or accessories that may become tangled in motorcycle parts.



### Important

For your safety, always wear suitable protective gear, regardless of season and weather.



### Important

Have your passenger wear proper protective clothing.

## Best practices for motorcycle safety

These few simple operations are critical to people safety and to preserving the full performance of your motorcycle. Never forget to perform them before, while and after riding.

### Important

Closely follow the indications provided at chapter "Riding the motorcycle" during the running-in period.

Failure to follow these instructions releases Ducati Motor Holding S.p.A. from any liability whatsoever for any engine damage or shorter engine life.

### Warning

Before riding your motorcycle, become familiar with the controls you will need to use when riding.

Perform the checks recommended in this manual before each ride (see page page 225).

### Warning

Failure to carry out these checks before riding may lead to motorcycle damage and injury to rider and/or passenger.

### Warning

Start the engine outdoors or in a well ventilated area. The engine should never be started or run indoors.

Exhaust gases are poisonous and may lead to loss of consciousness or even death within a short time.

Use proper body position while riding and ensure your passenger does the same.

### Important

Rider must hold the handlebar with both hands at ALL TIMES while riding.

### Important

Both rider and passenger should keep their feet on the footpegs when the motorcycle is in motion.

### Important

The pillion passenger should always hold on to the strap onto passenger seat with both hands.



### Important

Be very careful when tackling road junctions, or when riding in areas near exits from private grounds, car parks or on slip roads to access motorways.



### Important

Be sure you are clearly visible and do not ride within the blind spot of vehicles ahead.



### Important

ALWAYS signal your intention to turn or pull to the next lane in good time using the suitable turn indicators.



### Important

Park your motorcycle where no one is likely to knock against it, and use the side stand. Never park on uneven or soft ground, or your motorcycle may fall over.



### Important

Visually inspect the tyres at regular intervals for detecting cracks and cuts, especially on the side walls, bulges or large spots that are indicative of internal damage. Replace them if badly damaged. Remove any stones or other foreign bodies caught in the tread.



### Warning

Engine, exhaust pipes and silencers stay hot long after the engine is switched off; pay particular attention not to touch the exhaust system with any body part and do not park the vehicle next to flammable material (wood, leaves etc.).



### Warning

Always remove the key when you leave your motorcycle unattended and make sure it is not accessible to persons not authorised to use the motorcycle.

## Refuelling

Refuel outdoors with the engine turned off.

Do not smoke or use open flames when refuelling.

Be extremely careful not to spill fuel on the engine or on the exhaust pipe.

Never fill the tank completely. Fuel should never be touching the rim of filler recess.

While refuelling, avoid inhaling fuel vapours and avoid contact with eyes, skin or clothing.



## Warning

The vehicle is only compatible with fuel having a maximum content of ethanol of 10% (E10).

Using fuel with ethanol content over 10% is forbidden. Using it could result in severe damage of the engine and motorcycle components. Using fuel with ethanol content over 10% will make the warranty null and void.



## Warning

In the event of illness after prolonged breathing of fuel vapours, stay outdoors and seek medical advice. In the event of contact with eyes, flush with plenty of water. After contact with skin, wash immediately with water and soap.



## Warning

Fuel is highly inflammable. Clothing with spilled fuel on it should be removed as possible.



## Carrying the maximum load allowed

Your motorcycle is designed for long-distance riding, carrying the maximum load allowed in full safety. Even weight distribution is critical to preserving these safety features and avoiding trouble when performing sudden manoeuvres or riding on bumpy roads.

### Warning

Do not exceed the total permitted weight for the motorcycle and pay attention to information provided below regarding load capacity.

## Information about carrying capacity

### Important

Arrange your luggage or heavy accessories in the lowest possible position and close to motorcycle centre.

### Important

Never fix bulky or heavy objects to the handlebar or to the front mudguard as this would affect stability and cause danger.

### Important

Be sure to secure the luggage to the supports provided on the motorcycle as firmly as possible. Improperly secured luggage may affect stability.

### Important

Do not insert any objects you may need to carry into the gaps of the frame as these may foul moving parts.

### Warning

Make sure the tyres are inflated to the proper pressure and that they are in good condition.

Refer to paragraph "Tyres" on page 253.

## Dangerous products - warnings

### Used engine oil

#### Warning

Prolonged or repeated contact with used engine oil may cause skin cancer. If working with engine oil on a daily basis, we recommend washing your hands thoroughly with soap immediately afterwards. Keep away from children.

### Brake lining debris

Never attempt to clean the brake assembly using compressed air or a dry brush.

### Brake fluid

#### Warning

Spilling brake fluid onto plastic, rubber or painted parts of the motorcycle may cause damages. Protect these parts with a clean shop cloth before proceeding to service the system. Keep away from children.

#### Warning

The brake fluid used in the brake system is corrosive. In the event of accidental contact with eyes or skin, wash the affected area with abundant running water.

### Coolant

Engine coolant contains ethylene glycol, which may ignite under particular conditions, producing invisible flames. Although the flames from burning ethylene glycol are not visible, they are still capable of causing severe burns.

#### Warning

Take care not to spill engine coolant on the exhaust system or engine parts.

These parts may be hot and ignite the coolant, which will subsequently burn with invisible flames. Coolant (ethylene glycol) is an irritant and is poisonous when ingested. Keep away from children. Never remove the radiator cap when the engine is hot. The coolant will be scalding hot and is under high pressure.

The cooling fan operates automatically: keep hands well clear and make sure your clothing does not snag on the fan.

## Battery



### Warning

The battery gives off explosive gases; never cause sparks or allow naked flames and cigarettes near the battery. When charging the battery, ensure that the working area is properly ventilated.

## Vehicle identification number



**Note** These numbers identify the motorcycle model and should always be indicated when ordering spare parts.

It is recommended to record the frame number of your motorcycle in the space below.

---

Frame number

---

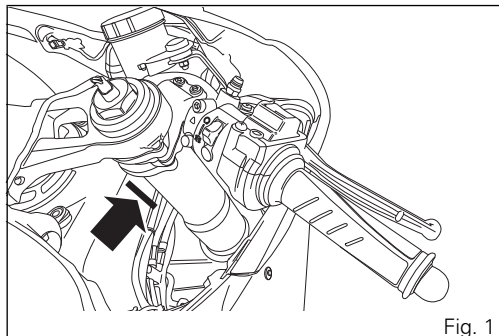


Fig. 1

## Engine identification number



**Note** These numbers identify the motorcycle model and should always be indicated when ordering spare parts.

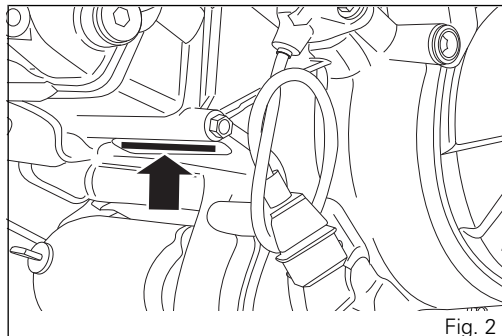
The engine identification number is located in the motorcycle front side on the horizontal head cylinder lower side, near the starter motor and the generator cover.

It is recommended to record the number of your motorcycle's engine in the space below.

---

Engine number

---



PAGE INTENTIONALLY LEFT BLANK

## Instrument panel (Dashboard)

### Instrument panel

1) Display.

2) NEUTRAL LIGHT N (GREEN).

Comes on when in neutral position.

3) HIGH BEAM LIGHT  (BLUE).

It turns on to indicate that the high beam lights are on and when the flasher is activated.

4) ENGINE OIL PRESSURE LIGHT  (RED).

Comes on when engine oil pressure is too low. It must turn on at Key-On, but must turn off a few seconds after the engine has started. It may shortly come on when the engine is hot, however, it should go out as the engine revs up.



### Important

If the ENGINE OIL light stays ON, stop the engine or it may suffer severe damage.

5) FUEL WARNING LIGHT  (AMBER YELLOW).

Comes on when fuel is low and there are about 5 litres of fuel left in the tank.

6) TURN INDICATOR LIGHTS  (GREEN).

Illuminates and flashes when the turn indicator is in operation.

7) "ENGINE/VEHICLE DIAGNOSIS - EOBD" LIGHT

 (AMBER YELLOW).

It turns on in the case of "engine" and/or "vehicle" errors and in some cases will lock the engine.

8) GENERAL WARNING LIGHTS (RED).

the lights (8a) turn on when RPM value reaches the first threshold before the rpm limiter kicks in;

the lights (8b) turn on when RPM value reaches the second threshold before the rpm limiter kicks in;

the lights (8c) turn on when RPM value reaches the third threshold before the rpm limiter kicks in.

9) ABS LIGHTS  (AMBER YELLOW).

This turns on to indicate that ABS is disabled or not functioning.

<b>Engine off / speed below 5 km/h</b>		
<b>Light off</b>	<b>Light flashing</b>	<b>Light steady</b>
-	ABS disabled with the menu function "ABS"	ABS enabled, but not functioning yet
<b>Engine on / speed below 5 km/h</b>		
<b>Light off</b>	<b>Light flashing</b>	<b>Light steady</b>
-	ABS disabled with the menu function "ABS"	ABS enabled, but not functioning yet
<b>Engine on / speed above 5 km/h</b>		
<b>Light off</b>	<b>Light flashing</b>	<b>Light steady</b>
ABS enabled and functioning	ABS disabled with the menu function "ABS"	ABS disabled and not functioning due to a problem



10) DTC INTERVENTION (AMBER YELLOW).

	<b>DTC</b>
No intervention	Light OFF
Spark advance cut	Light steady ON
Injection cut	Light steady ON

Key-on status	Light OFF
Key-off status	Light ON flashing
Key-off status for over 12 hours	Light OFF

11) OVER REV / IMMOBILIZER / ANTI-THEFT SYSTEM (RED)

	<b>Over rev</b>
No intervention	Light OFF
First threshold (N RPM before the limiter kicks in)	Light steady ON
Limiter	Light ON flashing



**Note**

Each calibration of the Engine Control Unit may have a different setting for the thresholds that precede the rev limiter and the rev limiter itself.

	<b>Immobilizer</b>
--	--------------------

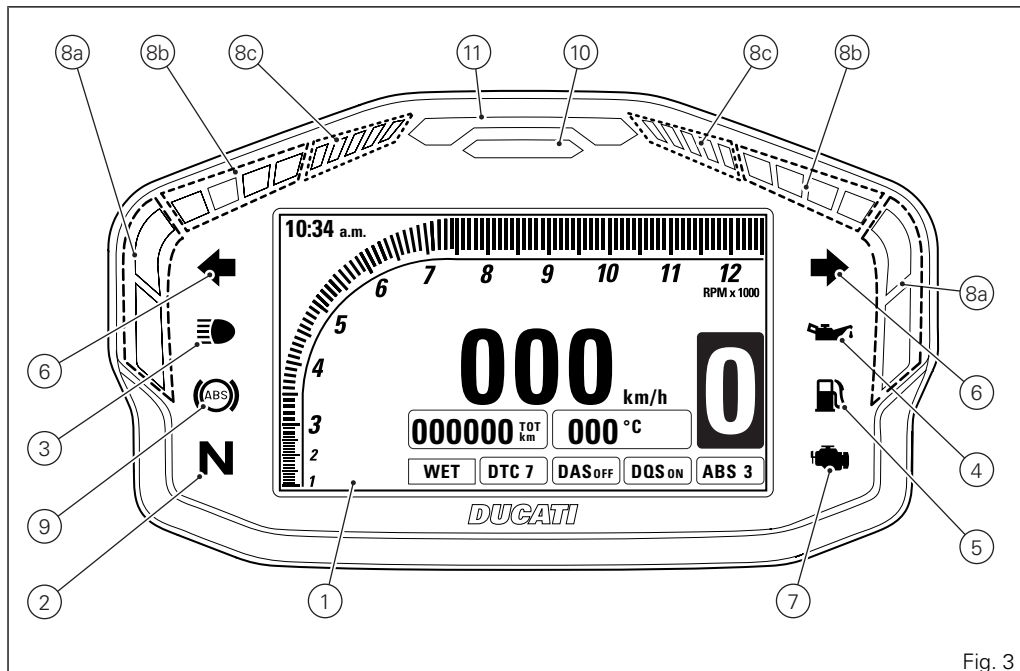


Fig. 3

## Acronyms and abbreviations used in the Manual

ABS  
Antilock Braking System  
BBS  
Black Box System  
CAN  
Controller Area Network  
DDA  
DUCATI Data Acquisition  
DES  
DUCATI Electronic Suspension  
DSB  
Dashboard  
DTC  
DUCATI Traction Control  
DQS  
DUCATI Quick Shift  
EBC  
DUCATI Engine Brake Control  
ECU  
Engine Control Unit  
E-LOCK  
Electronic Main Switch Set  
GPS

Global Positioning System

## Technological Dictionary Engine Brake Control (EBC)

The engine brake control system (EBC) works together with the slipper clutch to avoid and control the rear wheel lock-up during aggressive downshifting.

If the system detects wheel slipping, it sends a signal to the engine control unit to slightly increase engine rpm until the rear wheel speed is again consistent with vehicle speed.

EBC features a three-tiered operating system and is integrated in the three Riding Modes.

## Riding Mode

The rider of an 1199 Panigale can choose from 3 different preset motorcycle configurations (Riding Modes) and pick the one that best suits his/her riding style or ground conditions. The Riding Modes allow user to instantly change the engine power delivery (Power Mode), ABS, DTC, DQS, EBC settings, the instrument panel graphics and the suspension settings (DES).

The Riding Modes available for the 1199 Panigale are: Race, Sport and Wet. Within every Riding Mode, the rider can customise any settings.

## Power Mode

The Power Modes are the different engine maps the rider can select to change power level and delivery to suit his/her own riding style and surface conditions. For the 1199 Panigale there are three Power Modes, one for each Riding Mode:

- 120 HP with 'soft' power delivery;
- 195 HP with 'soft' power delivery;
- 195 HP with 'instant' power delivery.

## Ride by Wire (RbW)

The Ride by Wire system is the electronic device that controls throttle opening and closing. Since there is no mechanical connection between the throttle twistgrip and the throttle bodies, the ECU can adjust power delivery by directly affecting throttle opening angle.

The Ride by Wire system allows you to obtain different power level and delivery according to the selected Riding Mode (Power Mode), but even to

accurately control the engine brake (EBC), thereby helping to control the rear wheel slipping (DTC).

## Ducati Electronic Suspension (DES)

The Ducati Electronic Suspension system by Öhlins allows the automatic rebound and compression damping adjustment to have a different set-up of the suspensions according to the selected Riding Mode or the rider's needs to best suit his/her riding style.

## Ducati Traction Control (DTC)

The Ducati Traction Control system (DTC) supervises the rear wheel slipping control and settings vary through eight different levels that are programmed to offer a different tolerance level to rear wheel slipping. Each Riding Mode features a pre-set intervention level.

Level eight indicates system intervention whenever a slight slipping is detected, while level one is for very expert riders because it is less sensitive to slipping and intervention is hence softer.

## Anti-lock Braking System (ABS) 9ME

ABS 9ME system fitted to 1199 Panigale is a two-channel latest-generation system that actuates combined braking with anti lift-up function for the rear

wheel so as to guarantee not only a reduced stopping distance, but also a higher stability under braking. ABS 9ME system is specifically calibrated for sport use and features 3 different levels of intervention, one per Riding Mode. In RACE mode the system only works on the front discs to ensure top performance for track use.

### Ducati Quick Shift (DQS)

The Ducati Quick Shift (DQS) is the electronic shifter control system used for racing purposes that allows the rider to shift up under acceleration without using the clutch and keeping the throttle open: this results in lower shifting time and hence faster lap time.

### Ducati Data Analyzer+ (DDA+)

DDA+ is the latest generation of the Ducati Data Analyzer, with built-in GPS signal to create a "virtual finish line". The system automatically detects lap end and stops the lap timer, without the rider needing to do anything. Thanks to the built-in GPS signal, it also shows the trajectories on track map and the key motorcycle parameters: throttle opening, speed, rpm, gear engaged, engine temperature, DTC intervention.

## Function push-buttons

### 1) UP CONTROL SWITCH "▲"

Button used to display and set instrument panel parameters with the position "▲".

### 2) DOWN CONTROL SWITCH "▼"

Button used to display and set instrument panel parameters with the position "▼".

### 3) HIGH-BEAM FLASH BUTTON FLASH

The high-beam flash button may also be used for LAP functions.

### 4) TURN INDICATOR CANCEL BUTTON

The turn indicators cancel button may also be used for the CONFIRM MENU function, for selecting the riding style. Press this button for 3 seconds to the left side to activate the "Hazard" function (all 4 turn indicators).

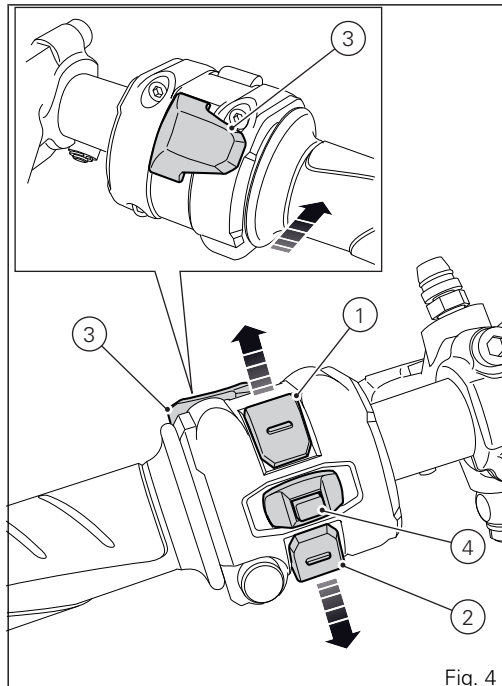


Fig. 4

## How to set/display parameters

Upon key-on, the instrument panel displays the DUCATI logo and switches on the LED warning lights in two steps ("initial check routine").

After this routine, the instrument panel displays the main page in ROAD or TRACK layout (depending on the one in use before last Key-Off).

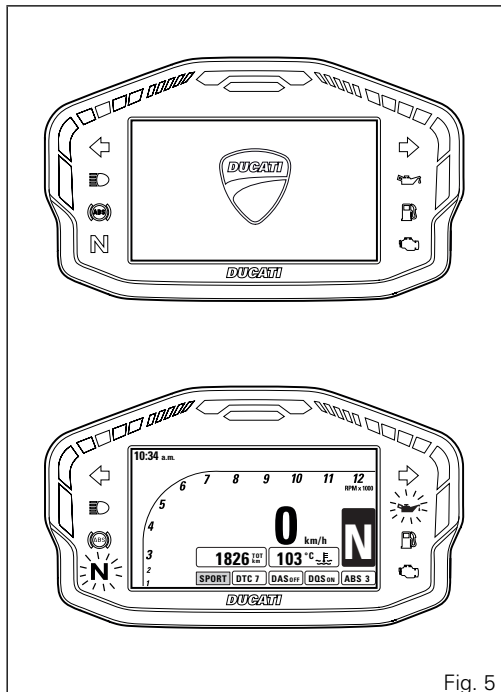


Fig. 5

During this first check stage, if the motorcycle speed exceeds 10 km/h (actual speed), the instrument panel will stop:

- the display check routine and display the Standard Screen containing updated information;
- the warning light check routine and leave ON only the warning lights that are actually active at the moment.



### Note

When turning the key to OFF, motorcycle power is cut only after 70 seconds and not immediately.

The main page can have two different layouts: ROAD and TRACK.

Data displayed on the main screen are as follows:

- 1) Rpm bargraph.
- 2) Motorcycle speed.
- 3) Gear engaged.
- 4) Menu 1 (Odometer, Trip 1, Trip 2, Trip Fuel, Lap time - only if active).
- 5) Menu 2 (Engine coolant temperature, Instantaneous fuel consumption, Average fuel consumption, Average speed, Trip time, External ambient air temperature).
- 6) Set Riding Mode.
- 7) DTC level indication (ON) or DTC OFF indication.
- 8) EBC level indication (ON) or EBC OFF indication.
- 9) "DQS ON" indication or "DQS OFF" indication.
- 10) ABS ON/OFF indication.
- 11) "DDA ON" indication.
- 12) "GPS receiving" indication.
- 13) Clock.
- 14) SERVICE indication (only if active) - Alarm / Warning indication (only if there is any) - Error indication (only if there is any).



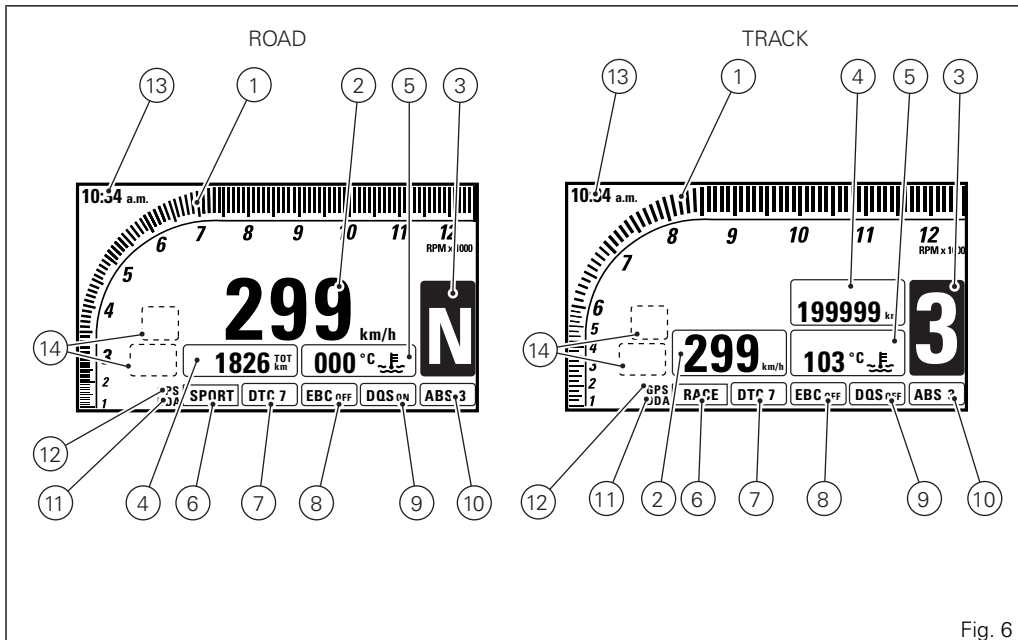


Fig. 6

Press button (1) to display MENU 1 information.

Following are the information displayed in sequence, both in the ROAD and TRACK mode:

- Odometer (TOT);
- TRIP 1;
- TRIP 2;
- TRIP FUEL (when function is active);
- LAP time - for TRACK mode only.

Press button (2) to display MENU 2 information.

Following are the information displayed in sequence, both in the ROAD and TRACK mode:

- Coolant temperature;
- Instantaneous fuel consumption (CONS.);
- Average Fuel Consumption (CONS. AVG);
- Average speed (SPEED AVG);
- Trip time (TRIP TIME);
- Air temperature.

Upon Key-ON, the data displayed for MENU 1 and MENU 2 are the ones displayed upon the previous Key-OFF.



#### Note

Both in the ROAD and TRACK mode, the factory set default parameter (Odometer - TOT) is displayed for 10 seconds upon Key-ON for MENU 1 and then the parameter from last Key-OFF is displayed.



#### Note

In case of sudden and unexpected power OFF, the instrument panel displays the default settings upon the following Key-ON; in particular:

- for MENU 1 - Odometer (TOT);
- for MENU 2 - Engine coolant temperature.

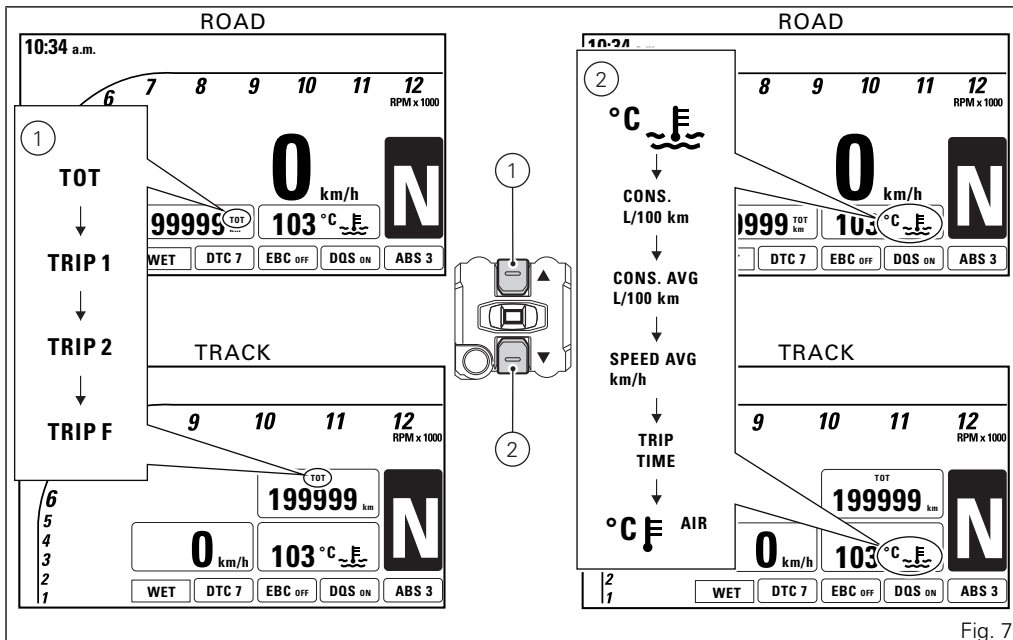


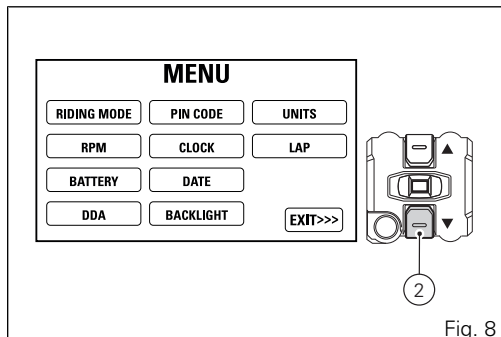
Fig. 7

When the Standard Screen is displayed, hold the button (2) for 3 seconds, when actual motorcycle speed is  $\leq$  (lower than or equal to) 20 km/h, to enter the Setting MENU, where you can set any function.



### Important

You can enter the SETTING MENU only if vehicle actual speed is  $\leq$  (lower than or equal to) 20 km/h. Within the SETTING MENU, if vehicle actual speed exceeds 20 km/h, the instrument panel automatically quits the menu and shows the standard screen.



If the key is not acknowledged upon Key-On and once the check routine is over, the following will happen:

- if the PIN CODE function is not active, the instrument panel skips the warning light check, displays the Standard Screen with an E-LOCK error warning and does not allow accessing the Setting MENU;
- if the PIN CODE function is active, the PIN CODE function page is displayed on the instrument panel, allowing rider to enter the release code.

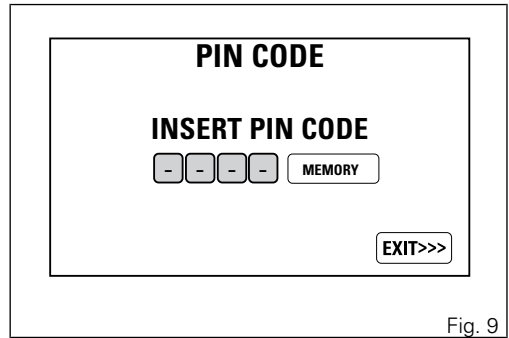


Fig. 9

## Main functions

The functions displayed in the Standard screen are the following:

### Main functions

- Engine rpm indication (RPM)
- Motorcycle speed
- Gear
- Riding Mode
- DTC
- EBC
- DQS
- ABS
- MENU 1 displays the following functions:
  - Odometer (TOT)
  - Trip meter 1 (TRIP1)
  - Trip meter 2 (TRIP2)
  - Partial fuel reserve counter (TRIP FUEL)
  - LAP time - only if active and in TRACK mode
- MENU 2 displays the following functions:
  - Engine coolant temperature
  - Instantaneous fuel consumption (CONS.)
  - Average Fuel Consumption (CONS. AVG)
  - Average speed (SPEED AVG)
  - Trip time (TRIP TIME)
  - Ambient air temperature

## Auxiliary functions

- DDA
- GPS
- CLOCK
- Service indication (SERVICE)
- Warnings/Alarms
- "ERROR" indication

The functions within the Setting MENU that can be modified by the user are the following:

- Riding mode customisation (RIDING MODE): this menu allows customisation of:
  - ABS setting (ABS)
  - Electronic suspension setting (DES)
  - Display setting (DISPLAY)
  - DQS ON/OFF (DQS)
  - DTC level setting (DTC)
  - Engine setting (ENGINE)
  - EBC level setting (EBC)
  - Reset to default settings (DEFAULT)
  - Engine rpm digital indication (RPM)
- Battery voltage (BATTERY)
- DDA (ON/OFF - view - delete)
- PIN CODE (enter/change)
- CLOCK SETTING
- Date setting (DATE)
- Display backlighting (BACK LIGHT)
- Unit setting (Speed - Temperature - Fuel consumption) UNIT
- LAP (view/delete/reset automatic settings)

The range between 11000 and 11900 rpm (pre-warning area) is displayed in orange both for the

bargraph filling and for the indication of value 11 ("orange area").

The range between 12000 and 12500 rpm (warning area) is displayed in red both for the bargraph filling and for the indication of value 12 ("red area").



### Important

During the first 1000 km (running-in period), i.e. when the Odometer displays a value  $\leq$  (lower than or equal to) 1000 km, the pre-warning area, indicated in orange (orange area), both for the bargraph filling and the display of the relevant number, is displayed when reaching 6000 rpm. During the running-in period we recommend not to exceed 6000 rpm, thus the instrument panel will not display the bargraph "Orange area".

After the running-in period, the "orange area" displays the message that prompts to ride the bike at lower rpm when the engine is cold. The "orange area" changes according to the engine temperature, as indicated below:

- from 8000 rpm and engine temperature of 40 °C or lower;

- from 9000 rpm and engine temperature of 50 °C or lower;
- from 11000 rpm and engine temperature higher than 50 °C.

The rev limiter thresholds are divided into three groups:

1<sup>st</sup> threshold 11000 rpm (A).

2<sup>nd</sup> threshold 11200 rpm (B).

3<sup>rd</sup> threshold 11400 rpm (C).

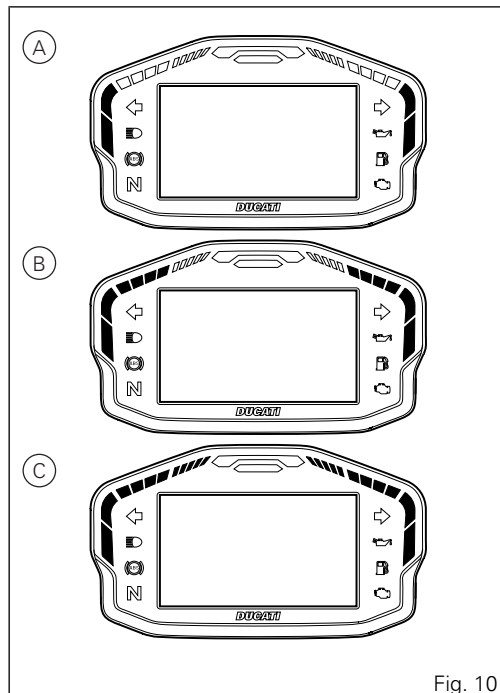
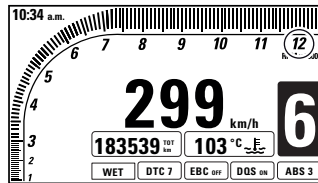
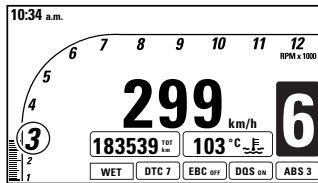


Fig. 10



## ROAD



## TRACK

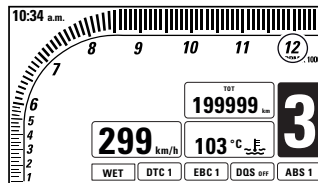
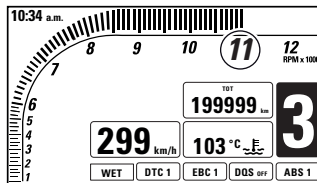
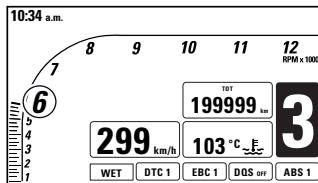


Fig. 11

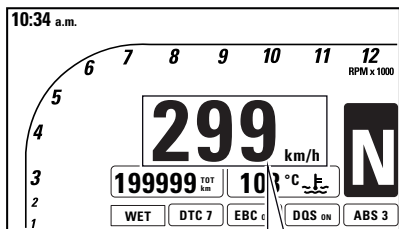
## Motorcycle speed

The instrument panel receives information about the actual motorcycle speed (calculated in km/h) and displays the value increased by 5% and converted in the set unit of measurement (km/h or mph).

A string of dashes “—” is displayed with the set unit of measurement if:

- speed is equal to 299 km/h or 186 mph or if instrument panel is not receiving the speed value (“—” steady ON);
- the rear speed sensor is in fault (flashing “—”, EOBD warning light ON and SPEED SENSOR error displayed).

ROAD



**186** mph

TRACK

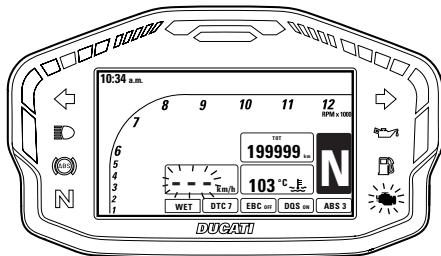
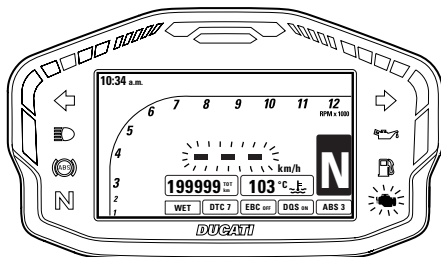
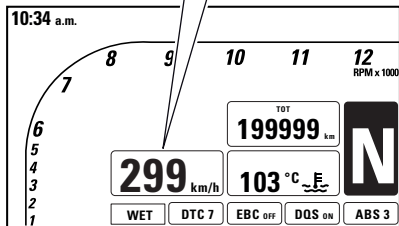


Fig. 12

## Gear

The instrument panel receives information about the gear engaged and displays the corresponding value. If a gear is engaged, the displayed value may range from 1 to 6, while if in neutral N is displayed.

Letter C is displayed when system requires you to shift gear.

“-” is displayed if:

- gear teach-in has not been carried out yet (“-” flashing and Neutral light (A) blinking);
- the gear sensor is in fault (flashing “-”, EOBD warning light (B) ON and GEAR SENSOR error displayed);
- the instrument panel is not receiving the gear data (“-” steady ON).

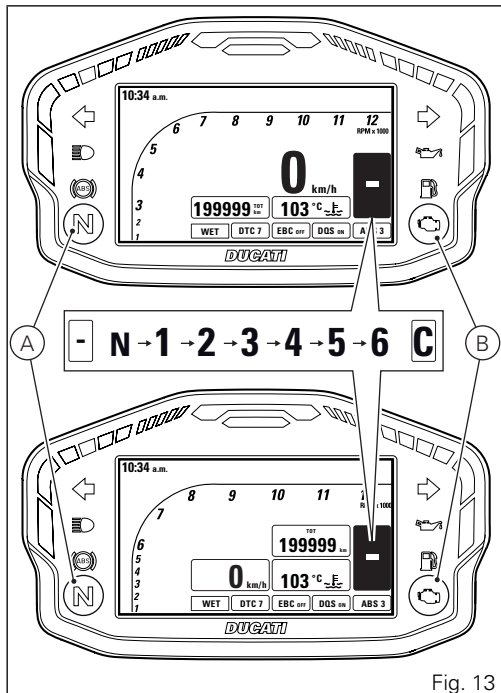


Fig. 13

## Riding Mode

The Riding Mode can be selected from the instrument panel. Three preset riding modes are available: RACE, SPORT, WET.

The selected and active riding mode is displayed at the bottom of the instrument panel display, inside a green rectangle if the Riding Mode-related parameters are the default ones, or inside an orange rectangle if said parameters have been customised. Every Riding Mode contains the following parameters, set by Ducati or customised by the user through the setting function pages:

- a specific level of intervention for the DTC traction control (1, 2, 3, 4, 5, 6, 7, 8, OFF);
- a specific engine power that will change throttle behaviour (195Hi, 195Lo, 120);
- a specific rebound and compression level of the front forks;

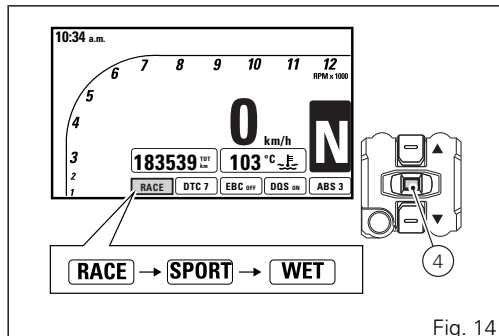


Fig. 14

- a specific rebound and compression level of the rear shock absorber;
- a specific ABS calibration (1, 2, 3, OFF);
- a specific level of intervention of the EBC engine brake control system (1, 2, 3, OFF);
- the activation or deactivation of the quick shifter DQS (DQS ON or DQS OFF).

A different standard screen (ROAD, TRACK) is associated to every riding mode; it is set by Ducati or customised by the user from the setting pages.



## Warning

Ducati recommends changing the Riding mode when the motorcycle is stopped. If the riding mode is changed while riding, be very careful (it is recommended to change the Riding mode at a low speed).

### Selecting the Riding Mode

Press CONFIRM MENU button (4) to enter the menu for selecting the Riding Mode (A). The instrument panel displays the speed indication (on the RH side) and displays riding mode name (on the LH side):

- RACE
- SPORT
- WET

One of them will be marked to indicate the last memorised condition that is currently active.



## Warning

It is not possible to open the menu for selecting the riding mode, if button (4) is in the position for activating the turn indicators (to the left or right).

For the marked Riding Mode, instrument panel displays information concerning some of the associated parameters:

- DTC system: DTC lettering followed by the set level (1, 2, 3, 4, 5, 6, 7, 8) in case DTC is active or followed by OFF in case DTC is disabled;
- EBC system: EBC lettering followed by the set triggering level (1, 2, 3) in case EBC is active, or followed by OFF in case EBC is disabled;
- engine power (ENGINE): ENG lettering followed by the set engine power; the power is displayed with values 195 Hi, 195 Lo or 120. In some countries (for instance France and Japan) the power is displayed with HIGH, MED or LOW;
- DQS system: DQS lettering followed by the ON or OFF indication in case of activated or deactivated DQS system;
- ABS system: ABS lettering followed by the set calibration level (1, 2, 3) in case ABS is active or followed by OFF in case ABS is disabled.

Displayed information includes the values stored for each single Riding Mode. The stored settings may be the factory ones (Ducati default settings) or the ones customised by the owner. Any time CONFIRM

MENU button (4) is pressed, the selected riding mode is highlighted together with the associated parameters (A, Fig. 15).

Once the desired riding mode is highlighted, confirm the selection by holding down the CONFIRM MENU button (4) for 2 seconds: the new riding mode selection is stored and the Standard Screen (B, Fig. 15) is displayed.

Once the desired riding mode is highlighted, if the CONFIRM MENU button (4) is not pressed within 10 seconds, the new riding mode selection is not stored and the Standard Screen (C, Fig. 15) is displayed.

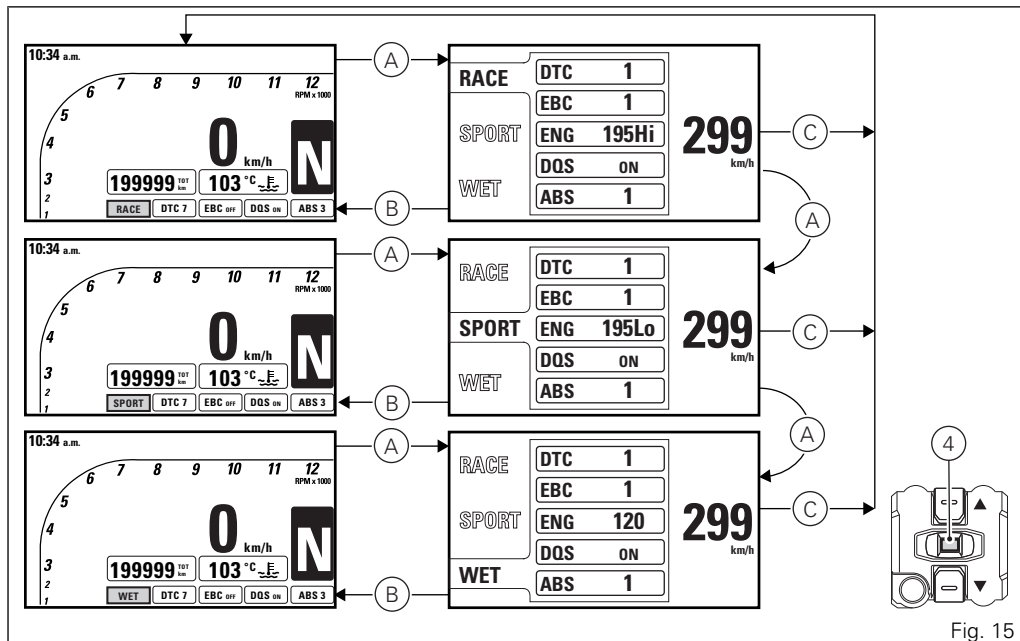


Fig. 15



When system requests rider to confirm the riding mode change, the procedure will output an error if:

- the throttle twistgrip is open, brakes are activated and the motorcycle is not still; in this case "CLOSE THROTTLE AND RELEASE BRAKES" warning is displayed. If throttle is not closed or brakes are not released or vehicle is not taken to zero speed within 5 seconds, the riding mode change procedure will not be completed and the display will go back to Standard Screen.



#### Note

If the change of riding mode is associated with the ABS change of state from "ON" to "OFF" or vice-versa, the instrument panel also starts the procedure for disabling or activating the ABS, respectively, upon confirmation of the selected riding mode.

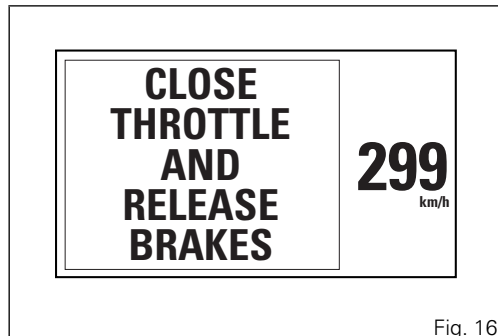


Fig. 16

## DTC

The instrument panel displays DTC status as follows:

- if DTC is active, DTC indication and intervention level number (1 to 8);
- if DTC is disabled, DTC OFF indication;
- if DTC is in fault or the Black Box is in fault, DTC — indication; the EOBD light turns on as well and the corresponding error is displayed.

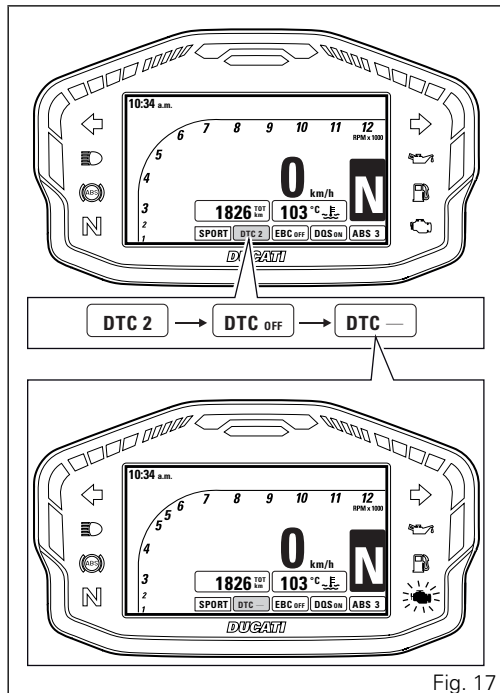


Fig. 17



## Warning

DTC is a rider aid that can be used both on the track and the road. The system is designed to make riding easier and to enhance safety, but in no way relieves the rider of the obligation to drive responsibly and to maintain a high standard of riding in order to avoid accidents, whether caused by his own errors or those of other road users, through making emergency manoeuvres, in accordance with the prescriptions of the road traffic code.

The rider must always be aware that active safety systems have a preventive function. The active elements help the rider control the motorcycle, making it as easy and safe to ride as possible. The presence of an active safety system should not encourage the rider to ride at speeds beyond the reasonable limits, not in accordance with the road conditions, the laws of physics, good riding standards and the requirements of the road traffic code. The following table indicates the most suitable level of DTC intervention for the various riding modes as well as the default settings in the "Riding Mode" that can be selected by the rider.

<b>DTC</b>	<b>RIDING MODE</b>	<b>USE</b>	<b>DEFAULT</b>
1	RACE	Track use, for very expert riders, optimised for Pirelli tyres with SC2 compound. System permits sliding sideways.	NO
2	RACE	Track use, for very expert riders, optimised for OEM tyres (Original Equipment Manufacturer). Permits sliding sideways.	It is the default level for the "RACE" Riding Mode
3	RACE	Track use for expert riders. Permits sliding sideways.	NO
4	RACE	Track use (and road use for expert riders).	NO
5	SPORT	Sport style on the road or on the track, consistent with ENGINE 195cv LOW setting (maximum power 195HP, with Smooth delivery).	It is the default level for the "SPORT" Riding Mode
6	SPORT	"Very safe" style on dry surface, on the road or on the track, consistent with ENGINE 195cv LOW setting (maximum power 195HP, with Smooth delivery).	NO

<b>DTC</b>	<b>RIDING MODE</b>	<b>USE</b>	<b>DEFAULT</b>
7	WET (RAIN)	Track use, with rain tyres, in particular it was optimised for Pirelli Diablo Rain tyres (rear tyre 190/55 ZR17).	NO
8	WET (HEAVY RAIN)	Wet road and slippery asphalt with OEM tyres; it must be associated with ENGINE 120 setting.	It is the default level for the "WET" Riding Mode

## Tips on how to select the sensitivity level



### Warning

The DTC level 1 setting has been calibrated using the tyres with SC2 compound (Pirelli Diablo Supercorsa SC2) that are not those originally supplied with your motorcycle. The use of this level with tyres having different characteristics may alter the operating characteristics of the system.



### Warning

The DTC level 7 setting has been calibrated using Rain tyres (Pirelli Diablo Rain with size 190/55 ZR17 at the rear) that are not those originally supplied with your motorcycle. The use of this level with tyres having different characteristics may alter the operating characteristics of the system.



### Warning

The DTC levels 2-3-4-5-6-8 settings have been calibrated using the tyres originally supplied with your motorcycle (Pirelli Diablo Supercorsa SP 120/70ZR17 at the front and 200/55ZR17 at the rear). The use of tyres of different size and characteristics to the original tyres may alter the operating characteristics of the system.

In the case of minor differences, such as for example, tyres of a different make and/or model than the OE ones, but with the same size (rear = 200/55 ZR17; front = 120/70 ZR17), it may be sufficient to simply select the suitable level setting from those available in order to restore optimal system operation.

If tyres of a different size class are used or if the tyre dimensions differ significantly from the original tyres, it may be that the system operation is affected to the point where none of the 8 available level settings will give satisfactory results.

In this case it is advisable to deactivate the traction control system.

If level 8 is selected, the DTC system will kick in at the slightest hint that the rear wheel is starting to spin.

Between level 8 and level 1 there are further intermediate levels of intervention for the DTC. Levels 1, 2 and 3 allow the rear wheel to spin and slide: these levels are recommended on the track only and exclusively for expert riders: in particular, level 1 is designed to work at best only with tyres having SC2 compound.

The choice of the correct level mainly depends on the following parameters: the tyre/asphalt grip (type of tyre, amount of tyre wear, the road/track surface, weather conditions, etc.).

The characteristics of the path/circuit (bends all taken at similar speeds or at very different speeds).

The riding mode (whether the rider has a “smooth” or a “rough” style).

Level depends on grip conditions: the choice of level setting depends greatly on the grip conditions of the track/circuit (see below, tips for use on the track and on the road). Level depends on type of track: if the track/path features bends all taken at similar speeds, it will be easier to find a level suitable for all bends; while a track/path with bends all requiring different speeds will require a DTC level setting that is the best compromise for all bends.

The relation of the DTC intervention level to riding mode: the DTC will tend to kick in more with a

“smooth” riding mode, where the bike is leaned over further, rather than with a “rough” style, where the bike is straightened up as quickly as possible when exiting a turn.

### Tips for use on the track

We recommend that level 8 is used for a couple of full laps (to allow the tyres to warm up) in order to get used to the system. Then try levels 7, 6, etc., in succession until you identify the DTC sensitivity level that suits you best (always try each level for at least two laps to allow the tyres to warm up).

Once you have found a satisfactory setting for all the corners except one or two slow ones, where the system tends to kick in and control too much, you can try to modify your riding style slightly to a more “rough” approach to cornering i.e. straighten up more rapidly on exiting the corner, instead of immediately trying a different level setting.

### Tips for use on the road

Activate the DTC, select level 8 and ride the motorcycle in your usual style; if the level of DTC sensitivity seems excessive, try reducing the setting to level 7, 6, etc., until you find the level that suits you best.

If changes occur in the grip conditions and/or circuit characteristics and/or your riding style, and the level setting is no longer suitable, switch to the next level up or down and proceed to determine the best setting (e.g. if with level 7 the DTC intervention seems excessive, switch to level 6; alternatively, if on level 7 you cannot perceive any DTC intervention, switch to level 8).



## EBC

The instrument panel displays EBC status as follows:

- if EBC is active, EBC indication and intervention level number (1 to 3);
- if EBC is disabled, EBC OFF indication;
- if EBC is in fault or the control unit is in fault, EBC — indication; the EOBD light turns on as well and the corresponding error is displayed.

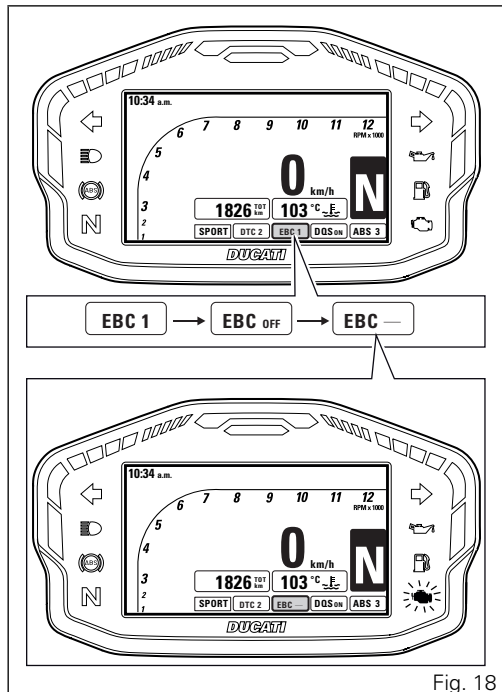


Fig. 18

The EBC is a system controlling the engine brake while riding with throttle fully closed (both when downshifting and when simply releasing throttle with the same gear engaged, and both under braking or not), this system independently sets the throttles in order to make the torque transmitted backward from wheel to engine during these stages constant.

The system allows the rider to select among various settings, from a maximum engine brake with system set to OFF to a decreasing level of engine brake at increasing level number.

System intervention is quite important at high engine rpm and decreases as the engine rpm decreases.



### Warning

EBC is a rider aid that can be used both on the track and the road. The system is designed to make riding easier, but in no way relieves the rider of the obligation to ride responsibly and to maintain a high standard of riding in order to avoid accidents, whether caused by his own errors or those of other road users, through making emergency manoeuvres, in accordance with the prescriptions of the road traffic code.

The following table indicates the most suitable level of EBC intervention for the various riding types as well as the default settings in the "Riding Mode" that can be selected by the rider:

<b>EBC</b>	<b>CHARACTERISTIC</b>	<b>DEFAULT</b>
OFF	Maximum engine brake	NO
1	Quite important engine brake, but less than that obtained with EBC OFF	It is the default level for all Riding Modes
2	Very low engine brake, recommended only for track use and for riders requiring a low engine brake when decelerating	NO
3	Minimum engine brake, recommended only for track use and for riders preferring a very low engine brake when decelerating	NO

## Tips on how to select the sensitivity level



### Warning

The EBC levels 1-2-3 settings have been calibrated using the tyres originally supplied with your motorcycle (Pirelli Diablo Supercorsa SP 120/70ZR17 at the front and 200/55ZR17 at the rear). The use of tyres of different size and characteristics to the original tyres (in particular at the rear) may alter the operating characteristics of the system.

In the case of minor differences, such as for example, tyres of a different make and/or model than the OE ones, but with the same size (rear = 200/55 ZR17; front = 120/70 ZR17), it may be sufficient to simply select the suitable level setting from those available in order to restore optimal system operation.

If tyres of a different size class are used or if the tyre dimensions differ significantly from the original tyres, it may be that the system operation is affected to the point where none of the 3 available level settings will give satisfactory results. In this case it is advisable to deactivate the traction control system.

Selecting level 3, the EBC will kick in to ensure the minimum engine brake possible. Between level 3 and

level 1 the engine brake is increasing progressively; with EBC OFF you set the maximum engine brake possible.

The choice of the correct level mainly depends on the following parameters:

The tyre/asphalt grip (type of tyre, amount of tyre wear, the road/track surface, weather conditions, etc.).

The characteristics of the path/circuit (bends all taken at similar speeds or at very different speeds).

The Riding Mode.

Level depends on grip conditions: the choice of level setting depends greatly on the grip conditions of the track/circuit (see below, tips for use on the track and on the road).

Level depends on type of track: if the track/path requires consistent braking (always aggressive or always smooth), it will be easier to find a level suitable for all braking instances; while a track/path requiring different braking power will require an EBC level setting that is the best compromise for all instances.

## DQS

The instrument panel displays DQS status as follows:

- if DQS is enabled, DQS ON indication;
- if DQS is disabled, DQS OFF indication;
- if DQS is in fault or the control unit is in fault, DQS — indication; the EOBD light turns on as well and the corresponding error is displayed;
- if the DQS is not present on the motorcycle, the symbol — is shown.

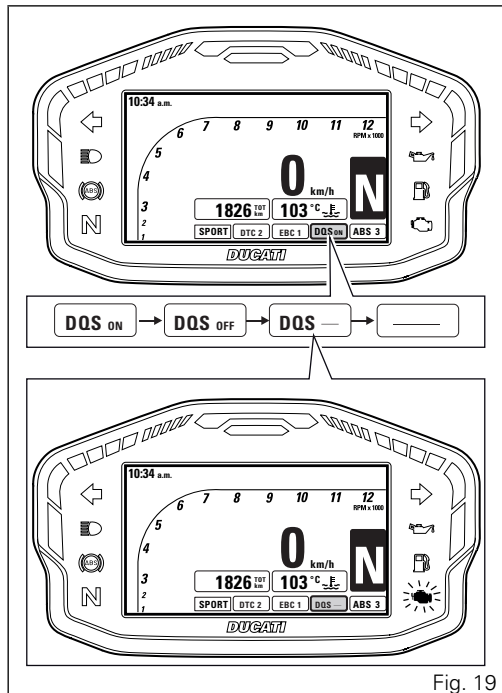


Fig. 19

## ABS

The motorcycle is equipped with ABS, the instrument panel displays the rectangle with ABS status.

The instrument panel displays:

- if the ABS is active, the message "ABS" with the set intervention level number (1 to 3);
- if ABS is not active, ABS OFF warning;
- if ABS is in fault, ABS — message; ABS and EOBd lights turn on and the corresponding error is displayed.



### Note

The ABS 1 indication is always displayed together with the ABS FRONT ONLY icon on amber background. Such indication is displayed in the side stand status indication with the latter having the priority.

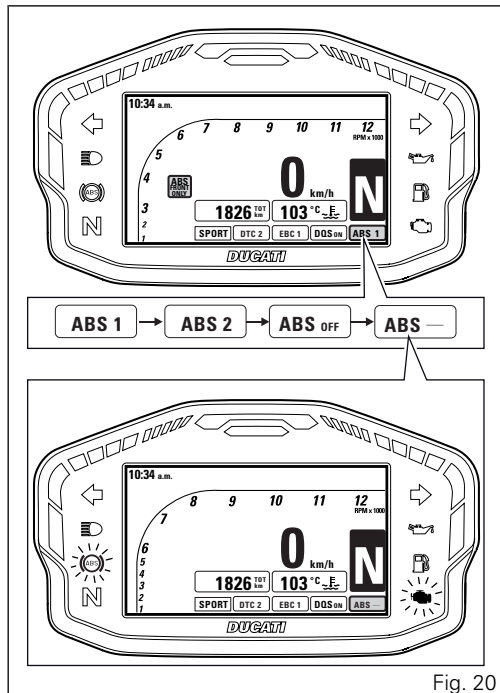


Fig. 20

The following table indicates the most suitable level of ABS intervention for the various riding types as well as the default settings in the "Riding Mode" that can be selected by the rider:

<b>ABS</b>	<b>RIDING MODE</b>	<b>CHARACTERISTIC</b>	<b>DEFAULT</b>
OFF		The ABS is disabled	NO
1	RACE	Exclusively for track use, for expert riders (not recommended for road use). The ABS in this mode only works on the front wheel (preventing it from locking), while there is no control on the rear wheel; the system does NOT control the lift-up and there is NO braking force distribution between the front and the rear wheels.	It is the default level for the "RACE" Riding Mode
2	ROAD	For road use in good grip conditions, both wheels are controlled by the system which distributes the braking force by generating pressure also on the rear brake calliper; anti lift-up control is active but this setting mostly focuses on braking power and allows a few uncontrolled lift-ups.	It is the default level for the "SPORT" Riding Mode

<b>ABS</b>	<b>RIDING MODE</b>	<b>CHARACTERISTIC</b>	<b>DEFAULT</b>
3	WET CONDITION ROAD/ TRACK	For use under any wet condition, system controls both wheels; the system distributes the braking force by generating pressure also on the rear brake calliper and controls most of the lift-ups.	It is the default level for the "WET" Riding Mode



## Tips on how to select the sensitivity level



### Warning

The ABS levels 1-2-3 settings have been calibrated using the tyres originally supplied with your motorcycle (Pirelli Diablo Supercorsa SP 120/70ZR17 at the front and 200/55ZR17 at the rear). The use of tyres of different size and characteristics to the original tyres (in particular at the rear) may alter the operating characteristics of the system.

In the case of minor differences, such as for example, tyres of a different make and/or model than the OE ones, but with the same size (rear = 200/55 ZR17; front = 120/70 ZR17), it may be sufficient to simply select the suitable level setting from those available in order to restore optimal system operation.

If tyres of a different size class are used or if the tyre dimensions differ significantly from the original tyres, it may be that the system operation is affected to the point where none of the 3 available level settings will give satisfactory results. In this case it is advisable to deactivate the traction control system.

Selecting level 3, the ABS will intervene to ensure a very stable braking, good lift-up control, the

motorcycle keeps a good alignment during the whole braking. Settings between level 3 and level 1 privilege more and more the braking power rather than stability and lift-up control; level 1 provides no lift-up control, the rear brake is not controlled by the ABS and the system does not provide braking force distribution between the front and the rear wheels.

The choice of the correct level mainly depends on the following parameters:

- 1) The tyre/asphalt grip (type of tyre, amount of tyre wear, the road/track surface, weather conditions, etc.).
- 2) The rider's experience and sensitivity: expert riders can tackle a lift-up in trying to reduce the stopping distance to a minimum, while less expert riders are recommended to use settings 2 and 3, that will help them keeping the motorcycle more stable even in emergency braking.

## Menu 1 functions

MENU 1 functions, for every riding mode (Race, Sport and Wet), can be displayed in one of the two following modes:

- ROAD;
- TRACK.

The functions are:

- Odometer (TOT);
- Trip meter 1 (TRIP1);
- Trip meter 2 (TRIP2);
- Partial fuel reserve counter (TRIP FUEL);
- LAP time (if active) - only for TRACK mode.

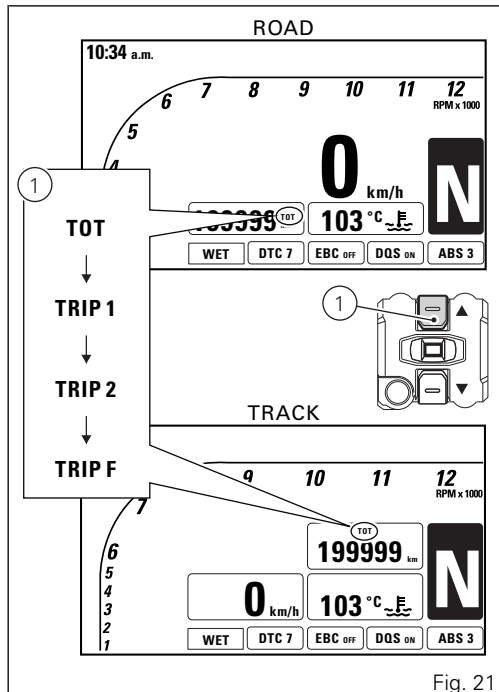


Fig. 21

## Menu 1: Odometer (TOT)

The odometer counts and displays the total distance covered by the motorcycle with the set unit of measurement (km or mi).

The odometer number (in km or miles) is displayed with the message "TOT" and the indication of the unit of measurement. When the maximum value is reached (199999 km or 199999 mi) the instrument panel will permanently display said value.

The odometer value is saved permanently and cannot be reset under any circumstances.

The reading is not lost in case of a power OFF (Battery OFF).



### Note

Upon Key-ON, the instrument panel always shows the message "Odometer" for 10 seconds, then shows the user's settings page.



### Note

If a string of flashing dashes " ---- " is displayed within odometer function, please contact a Ducati Dealer or Authorised Service Centre.

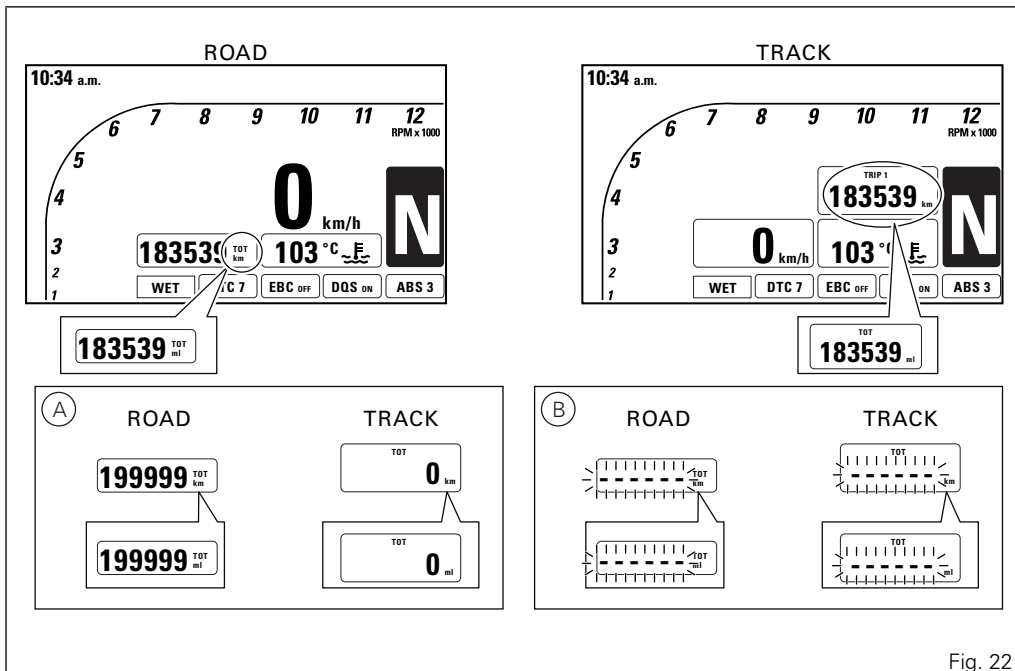


Fig. 22

## Menu 1: Trip meter 1 (TRIP 1)

The trip meter counts and displays the partial distance covered by the motorcycle with the set unit of measurement (km or mi) and is used as a basis to calculate average fuel consumption, average speed and trip time.

The TRIP1 number (in km or miles) is displayed with the message TRIP1 and the indication of the unit of measurement.

When the reading exceeds the maximum value of 9999.9 km or 9999.9 mi, distance travelled is reset and the meter automatically starts counting from 0 again.

While the trip meter is displayed, press button (1) for 3 seconds to reset TRIP 1. When TRIP1 is reset, the average fuel consumption, average speed and trip time data are reset as well.

The TRIP1 counter is automatically reset in case the system unit of measurement is changed manually: the counter will then start back from zero, considering the new units of measurement.

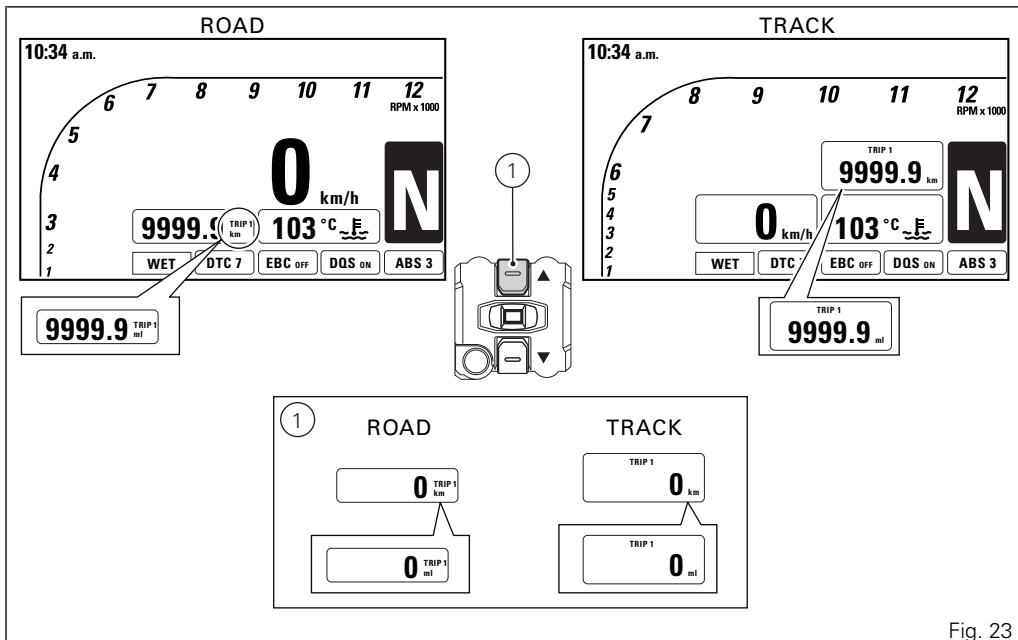


Fig. 23

## Menu 1: Trip meter 2 (TRIP 2)

The trip meter counts and displays the partial distance covered by the motorcycle with the set unit of measurement (km or mi).

The TRIP2 number (in km or miles) is displayed with the message TRIP2 and the indication of the unit of measurement.

When the reading exceeds the maximum value of 9999.9 km or 9999.9 mi, distance travelled is reset and the meter automatically starts counting from 0 again.

While the trip meter is displayed, press button (1) for 3 seconds to reset TRIP 2.

The TRIP2 counter is automatically reset in case the system unit of measurement is changed manually: the counter will then start back from zero, considering the new units of measurement.

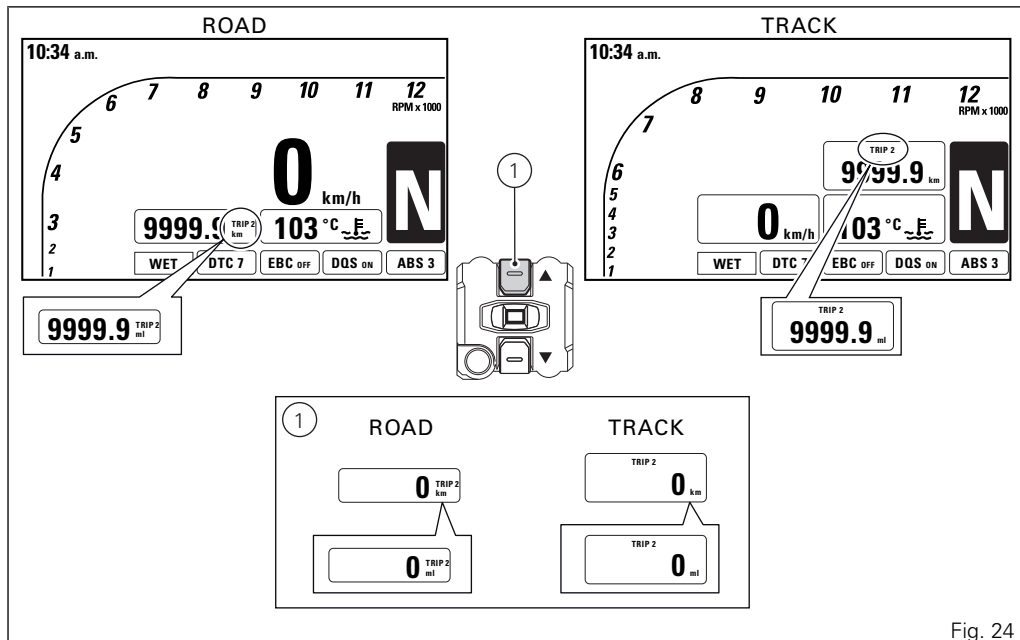


Fig. 24



## Menu 1: Partial fuel reserve counter (TRIP FUEL)

The fuel trip meter counts and displays the distance covered by the vehicle on reserve (since the low fuel light turns on) with the set unit of measurement (km or mi).

When the Low fuel light turns on, the display automatically shows the TRIP FUEL function, regardless of the currently displayed function; then, it is possible to toggle through the other Menu functions.

Trip fuel reading remains stored even after Key-Off until the vehicle is refuelled. Count is interrupted automatically as soon as fuel is topped up to above minimum level.

The number of km or miles is displayed with the TRIP FUEL indication and unit of measurement.

When the reading exceeds the maximum value of 9999.9 km or 9999.9 mi, distance travelled is reset and the meter automatically starts counting from 0 again.

When the TRIP FUEL function is not active, the corresponding value will not be displayed in the Menu.

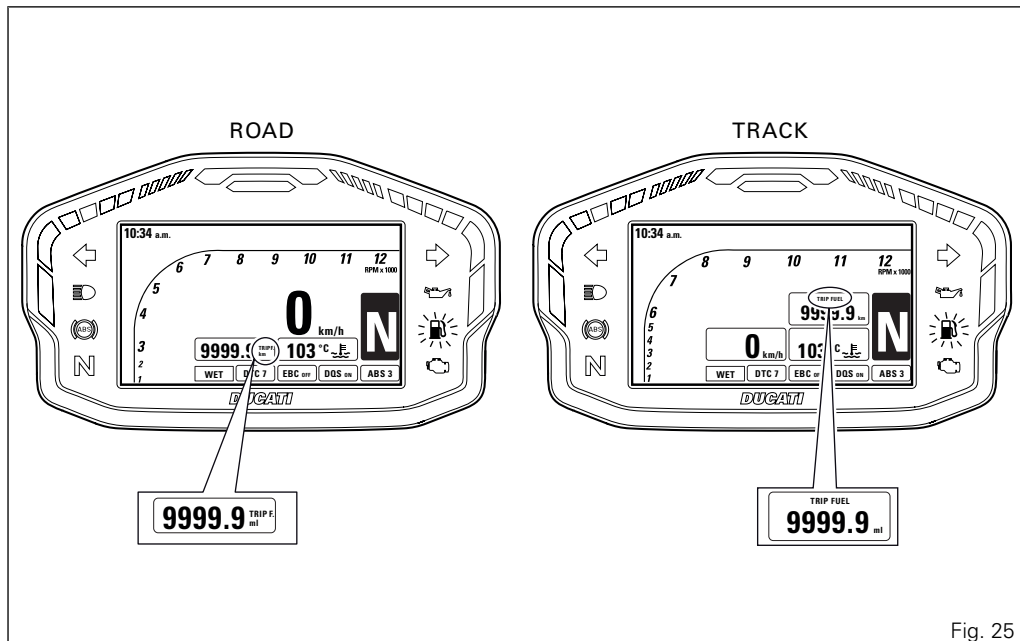


Fig. 25

## Menu 1: Lap time (LAP time)

The LAP function is only available for the displaying with the standard screen in TRACK mode. LAP function information is available when the function is active. Upon activation of the LAP function, the display shows the timer with the first indication "0'00''00" and the LAP number with the first indication "LAP -- ". If the motorcycle is equipped with GPS, the lap "Start/Stop" command is sent by the GPS. In order for the GPS to identify each lap's "Start/Stop" automatically, the user must store the finish line coordinates by pressing the FLASH button (3) when passing the finish line for the first time. The timer starts with resolution of a tenth of a second (0'00''00) and the screen displays the current LAP number; any further time the motorcycle crosses the finish line, the just ended lap number and time are displayed temporarily followed by current lap timer and number. Furthermore, if there is a stored GPS finish line within a range of 15 km from the current position, the LAP indication is replaced by the finish line flag to inform the rider that the finish line coordinates are stored. The finish line coordinates remain stored even after a key-off. They are only updated when the rider presses the FLASH button (3) with TRACK screen active. When the finish line is

stored and the rider tries to store a new one, the display will first show the writing LAP followed by the finish line flag. If lap timer is active but motorcycle is at standstill, lap timer is temporarily stopped after 5 seconds and it is displayed with the initial indication "0'00''00" and the LAP number "LAP --". Upon next "Start" request sent by the GPS (when crossing the finish line) the lap timer starts again.

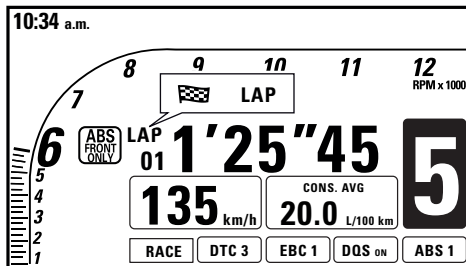
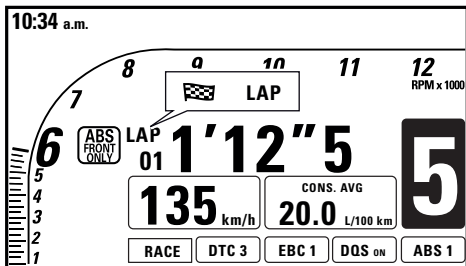
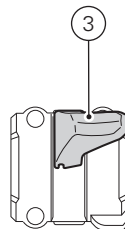
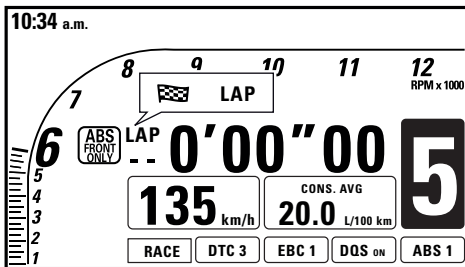


Fig. 26



## Note

When the LAP function is active, the FLASH button takes on the dual function of high beam "FLASH" and GPS finish line control and storage for the LAP timer (new lap start indication).



## Note

The TRIP FUEL function always has top priority over the LAP function: in case of activation of the TRIP FUEL function with active LAP function, the LAP timer view is automatically removed and TRIP FUEL information is displayed instead.

## LAP recording

If the LAP function is active, it is possible to record the lap time, for a total of 30 consecutive laps.

Operation:

- in order for the GPS to identify each lap's "Start/Stop" automatically, the user must store the finish line coordinates by pressing the FLASH button (3) when passing the finish line for the first time. The timer starts with resolution of a tenth of a second (0'00''00);

- any further time the motorcycle goes through the finish line, the just ended lap number and time are displayed for 5 seconds with a resolution of one hundredth of a second;
- after these 5 seconds, the instrument panel goes back to lap timer page referred to the new current lap.
- if motorcycle remains at standstill for over 5 seconds, lap timer is temporarily stopped and it is displayed with the initial indication " 0'00''00 " and the LAP number "LAP --";
- upon next "Start" request sent by the GPS (when crossing the finish line) the lap timer starts again.

If the time is never stopped, it will roll over upon reaching 9 minutes, 59 seconds and 99 hundredths; the lap timer starts counting from zero and will keep running until the lap is stopped or the recording function is disabled.

Laps are numbered from 01 to 30 and are in a loop: after the first 30 laps the instrument panel will overwrite information starting from Lap 01.

If the LAP function is interrupted (switching to ROAD screen or temporary disabling or key-off) and then reactivated (going back to TRACK screen or

reactivation or key-on), but memorised laps are not deleted, lap information will be recorded by overwriting data of the oldest Lap. Example: if you rode 34 laps without deleting data, the instrument panel stores the first 30 laps and then overwrites the first 4 laps. Upon the following Key-ON or reactivation of the LAP function, if no data were deleted, the instrument panel will continue storing data from Lap 05.

During every lap, the following data are stored:

- no. 30 lap times (time between consecutive start and stop);
- no. 30 values for max. RPM (maximum RPM value reached in every lap);
- no. 30 values for max. speed (maximum speed value reached in every lap).

## MENU 2 functions

MENU 2 functions, for every riding mode (Race, Sport and Wet), can be displayed in one of the two following modes:

- ROAD
- TRACK

The functions are:

- Coolant temperature
- Instantaneous fuel consumption (CONS.)
- Average Fuel Consumption (CONS. AVG)
- Average speed (SPEED AVG)
- Trip time (TRIP TIME)
- External air temperature

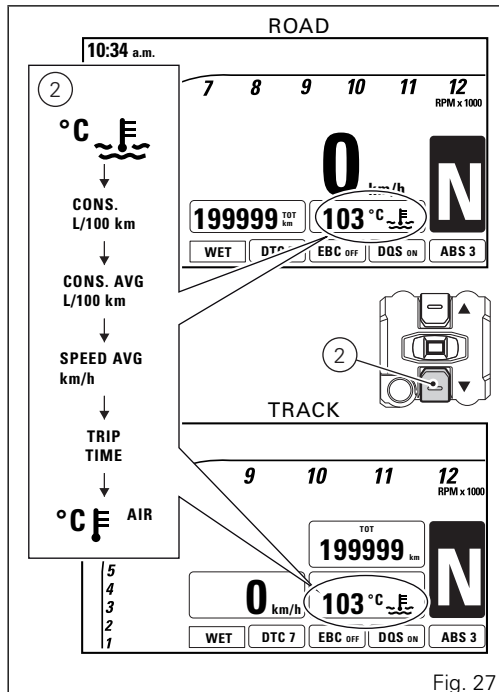


Fig. 27

## MENU 2: Coolant temperature

The instrument panel receives information about the engine temperature (already calculated in °C) and displays the value in the set unit of measurement (°C or °F), followed by the unit of measurement and the engine temperature symbol.

The temperature display range goes from 40 °C to +120 °C (+104 °F ÷ +248 °F).

If reading is:

- $\leq$  (lower or equal to) -40 °C, a string of flashing dashes " - - - " is displayed;
- within the range -39 °C to +39 °C, "LOW" is displayed steadily;
- within the range +40 °C to +120 °C, the value is displayed steadily;
- $\geq$  (higher than or equal to) +121 °C, "HIGH" is displayed flashing.

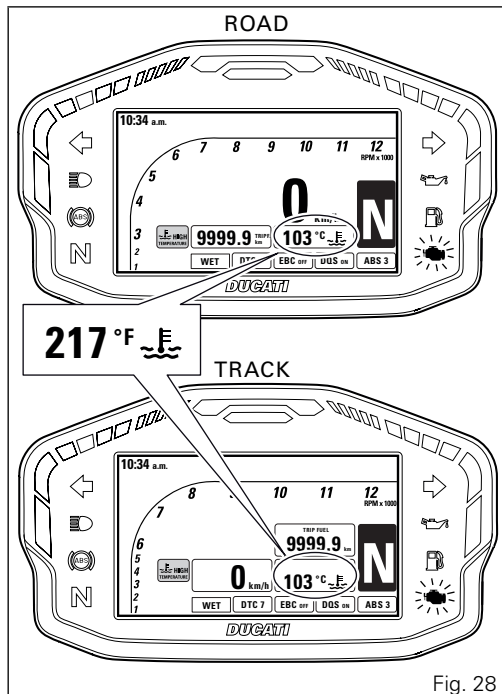


Fig. 28



If coolant temperature exceeds:

- 100 °C, the temperature reading is immediately displayed in MENU 2, regardless of any other function displayed in MENU 2; the other MENU 2 functions can still be displayed;
- 121 °C, the temperature reading is immediately displayed in MENU 2, regardless of any other function displayed in MENU 2; the other MENU 2 functions can not be displayed. The alarm icon is also displayed.

If the coolant temperature sensor is in fault, a string of flashing dashes "---" is displayed, followed by the set unit of measurement; the EOBD light turns on as well and the ENGINE TEMP. SENSOR error is displayed.

If the instrument panel is not receiving coolant temperature value, a string of steady dashes "---" is displayed, followed by the unit of measurement.

## MENU 2: Instantaneous fuel consumption

The instrument panel calculates and displays the motorcycle instantaneous fuel consumption, the set unit of measurement and CONS. text.

The calculation is made considering the quantity of fuel used and the distance travelled during the last second. Value is expressed in the set unit of measurement: litres / 100 km or mpg UK or mpg USA. The active calculation phase only occurs when the engine is running and the motorcycle is moving (moments when the motorcycle is not moving when speed is equal to 0 and/or when the engine is OFF are not considered). When the calculation is not made, a string of three dashes is displayed " - - - " steadily as instantaneous fuel consumption.



### Note

It is possible to change the units of measurement for "Consumption" (both average and instantaneous together) from L/100 to km/L through the Setting MENU, using the UNITS function.

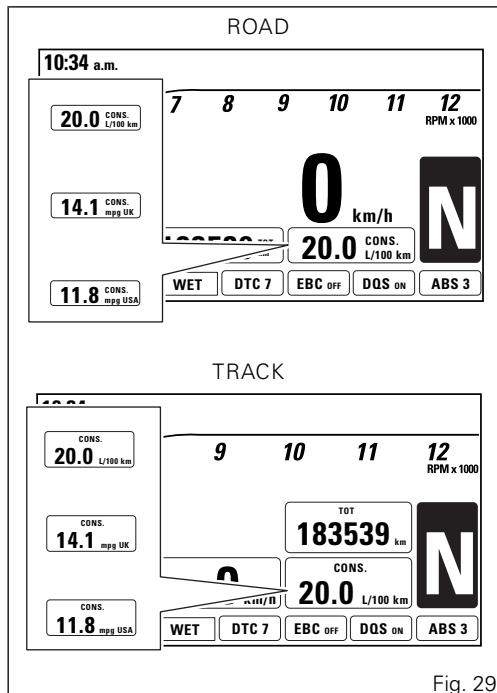


Fig. 29

## MENU 2: Average fuel consumption

The instrument panel calculates and displays the motorcycle average fuel consumption, the set unit of measurement and CONS. AVG.

The calculation is made considering the quantity of fuel used and the distance travelled since TRIP1 was last reset.

When TRIP1 is reset, the value is reset and the first value available is displayed 10 seconds after the reset.

During the first 10 seconds, when the value is not yet available, the display will show a string of three dashes "- - -" steadily as average fuel consumption. Value is expressed in the set unit of measurement (litres / 100 km or mpg UK or mpg USA).

The active calculation phase occurs when the engine is running and the motorcycle is stopped (moments when the motorcycle is not moving and the engine is OFF are not considered).

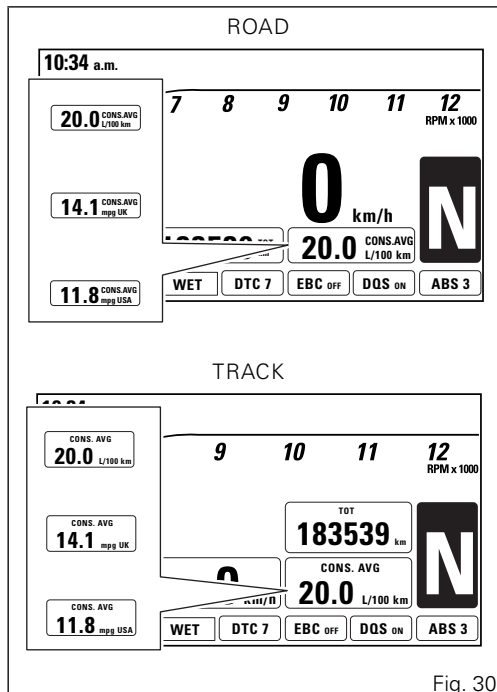


Fig. 30



## Note

It is possible to change the units of measurement for "Consumption" (both average and instantaneous together) from L/100 to km/L through the Setting MENU, using the UNITS function.

## MENU 2: Average speed

The instrument panel calculates and displays the motorcycle average speed, the set unit of measurement and SPEED AVG text.

The calculation considers the distance and time since TRIP1 was last reset.

When TRIP1 is reset, the value is reset and the first value available is displayed 10 seconds after the reset.

During the first 10 seconds, when the value is not yet available, the display will show a string of three dashes " - - - " steadily as average speed.

The active calculation phase occurs when the engine is running even if the motorcycle is stopped (moments when the motorcycle is not moving and the engine is OFF are not considered).

The average speed value displayed is calculated by adding 5% so as to be consistent with motorcycle speed indication.

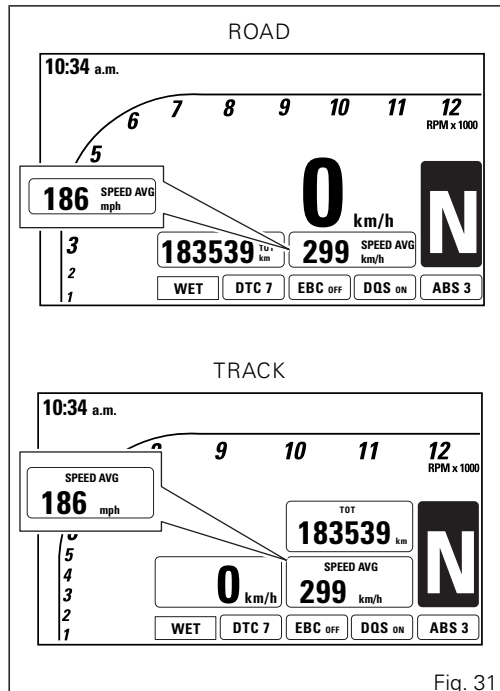


Fig. 3.1



## Note

It is possible to change the units of measurement of Speed (and distance travelled as well) from km/h (and km) to mph (and mi) through the SETTING MENU, using the UNITS SETTING function.

## MENU 2: Trip time

The instrument panel calculates and displays the trip time as hhh:mm followed by TRIP TIME. The calculation considers the time since TRIP1 was last reset. When TRIP1 is reset, this value is reset as well. The time count active phase occurs when the engine is running and the motorcycle is stopped (the time is automatically stopped when the motorcycle is not moving and the engine is OFF and restarts when the counting active phase starts again). When the reading exceeds 720:00 (720 hours and 00 minutes), the meter is reset and automatically starts counting from 0 again.



### Note

If you change the unit of measurement for an item connected to Speed (and distance) or Consumption, the trip time value will be automatically reset.

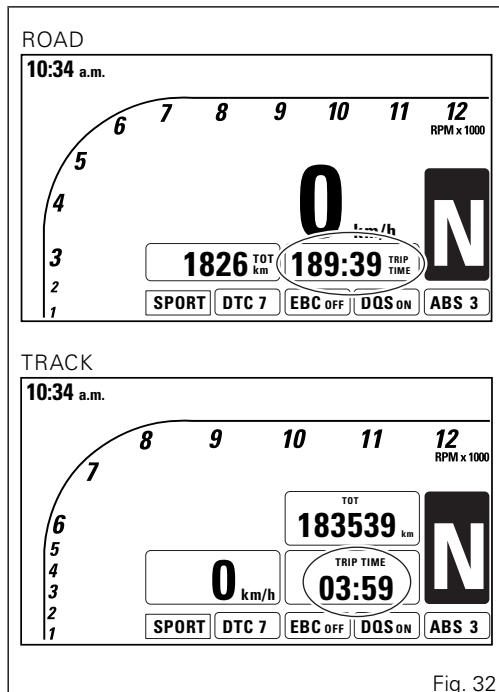


Fig. 32

## MENU 2: Air temperature

The instrument panel displays the ambient temperature in the set unit of measurement (°C or °F), followed by the set unit of measurement, AIR text and the thermometer symbol. The temperature value is displayed when ranging from -39 °C to +124 °C (or -38 °F ÷ +255 °F). For any different temperature (below -39 °C or above +124 °C) a string of three dashes " - - - " is steadily displayed, followed by the unit of measurement.

If the air temperature sensor is in fault, the instrument panel will show three flashing dashes " - - - " as air temperature value, followed by the unit of measurement, the EOBd light will turn on as well and the corresponding error T AIR SENSOR is displayed.

If the instrument panel is not receiving air temperature value, a string of three steady dashes " - - - " is displayed, followed by the unit of measurement.



### Note

When the motorcycle is stopped, the engine heat could influence the displayed temperature.

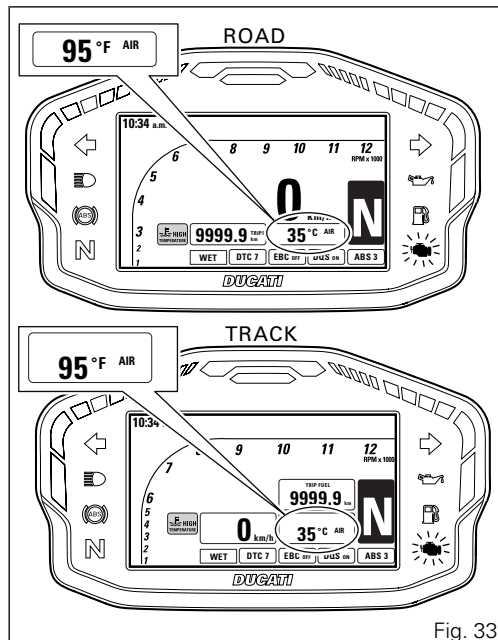


Fig. 33



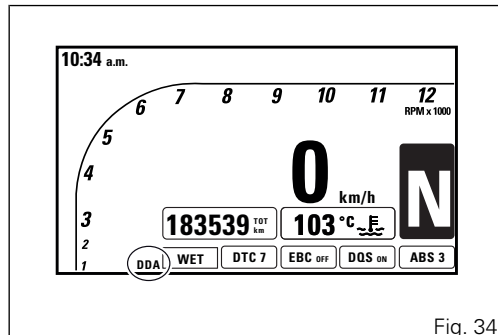
## Auxiliary functions

### DDA

The instrument panel indicates DDA status only if the vehicle fits the DDA.

If the DDA indication is displayed it means that the DDA is active and recording.

If the DDA indication is not displayed it means that the DDA is not active.



## GPS

The instrument panel provides GPS indication only when the GPS fitted to the vehicle is present. The instrument panel displays the status of the GPS receiver if it is installed on the motorcycle. If the GPS indication is displayed it means that GPS location has been found and GPS reception is active. If the GPS indication is not displayed it means that no GPS location has been found, or GPS reception is not active or a GPS error has occurred. The GPS may also be used to determine finish line location for the LAP function. When this is the case, the new lap start command is sent by the GPS. In order for the GPS to identify each lap's "Start/Stop" automatically, finish line coordinates need to be stored in the GPS. Coordinates must be stored when the finish line is passed for the first time by pressing the FLASH (3) button.

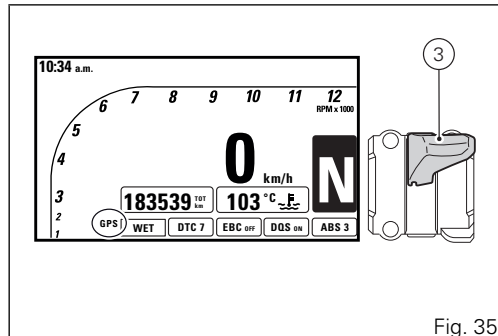


Fig. 35

## CLOCK

The instrument panel receives information about the time to be displayed.

This indication is displayed at the top left side of the display.

The instrument panel shows the time in the following format:

hh (hours) : mm (minutes)

with "a.m." indication (for values ranging between 0:00 and 11:59), or with "p.m." indication (for values ranging between 12:00 and 12:59 and between 1:00 and 11:59).

If the instrument panel does not receive current time information, it displays "-- : -- a.m." steadily.

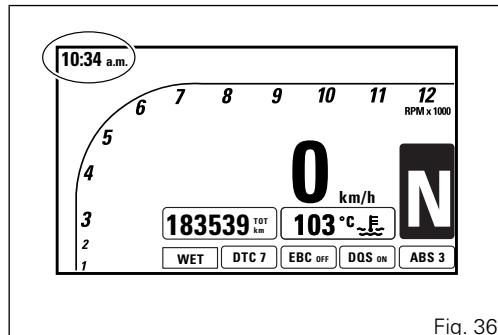


Fig. 36

## Service warning (SERVICE)

This indication shows the user that the bike is due for service and must be taken to a Ducati Authorised Service Centre.

The service warning indication can be reset only by the Authorised Ducati Service Centre during servicing.

Icons are displayed according to the Warnings/ Alarms displaying rules (refer to paragraph “page 95”).

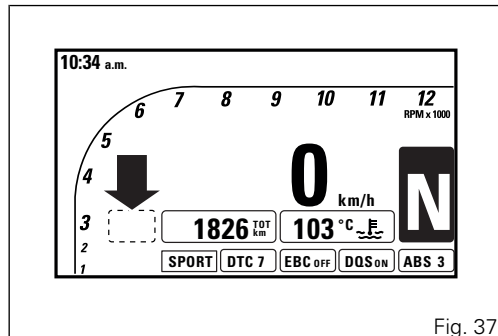


Fig. 37

## Zero OIL SERVICE warning

The first maintenance indication is OIL SERVICE zero, enabled when the odometer counter reaches the first 1000 km: it is displayed in the "large" format, and then is always visible in the small format, until the Ducati Authorised Service Centre "resets" it during servicing. Icons are displayed according to the Warnings/ Alarms displaying rules (refer to paragraph "page 95").

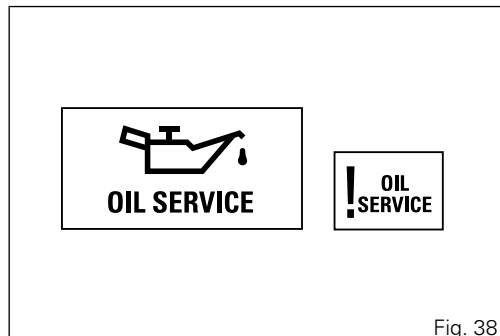


Fig. 38

## OIL SERVICE or DESMO SERVICE countdown indication

After OIL SERVICE zero reset (at 1000 km), the dashboard activates the countdown of the kilometres (or miles) left before the following service operation (OIL SERVICE or DESMO SERVICE).

The green indication is shown upon Key-On for 2 seconds in the "large" format; when there are 1000 km left before the next service operation, the indication turns yellow and is enabled upon every Key-On for 5 seconds.

Icons are displayed according to the Warnings/ Alarms displaying rules (refer to paragraph "page 95").

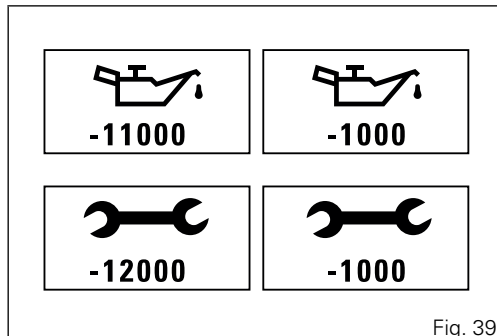


Fig. 39

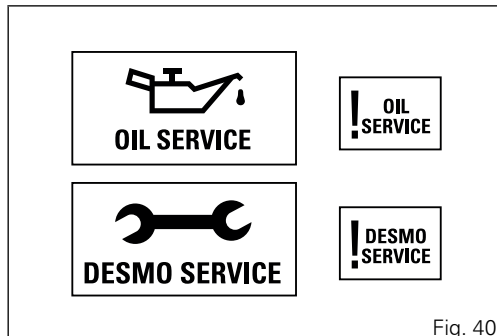
## OIL SERVICE or DESMO SERVICE

### warning

When the service threshold is reached, the warning for the type of service required is triggered (OIL SERVICE or DESMO SERVICE).

The indication of the service type is enabled upon every Key-On for 5 seconds in the "large" format, and then is always visible in the small format, until the Ducati Authorised Service Centre "resets" it during servicing.

Icons are displayed according to the Warnings/ Alarms displaying rules (refer to paragraph "page 95").



## Warnings/Alarms (Warning)

The instrument panel manages several warnings / alarms (warnings), in order to give useful information to the rider when he/she is using the vehicle.

Upon Key-On, if there are active warnings the instrument panel displays the indication of the present warnings.

During normal vehicle operation, when a warning is triggered the instrument panel automatically displays the warning. When a warning is triggered, the indication remains well visible for 5 seconds ("large" icon) then becomes smaller ("small" icon).

If several live warnings are present, the corresponding icons will be displayed one after the other and every one will stay on for 3 seconds.

No special signal light turns on if any warning is activated.



## High coolant temperature (High temperature)

This function warns the rider when the engine coolant temperature reaches 121°C (250°F).



### Note

In this case, Ducati recommends stopping riding and turning engine immediately off; making sure that fans are working.

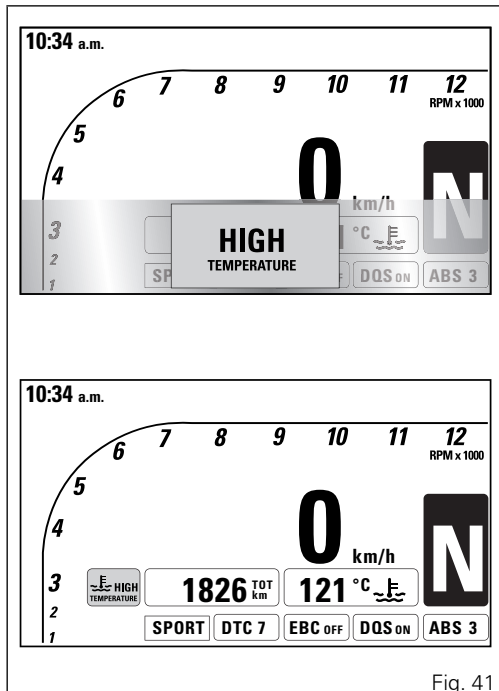


Fig. 41

## DDA memory full (DDA full)

This function warns the rider when the DDA memory is full, and thus no other trip data can be stored.

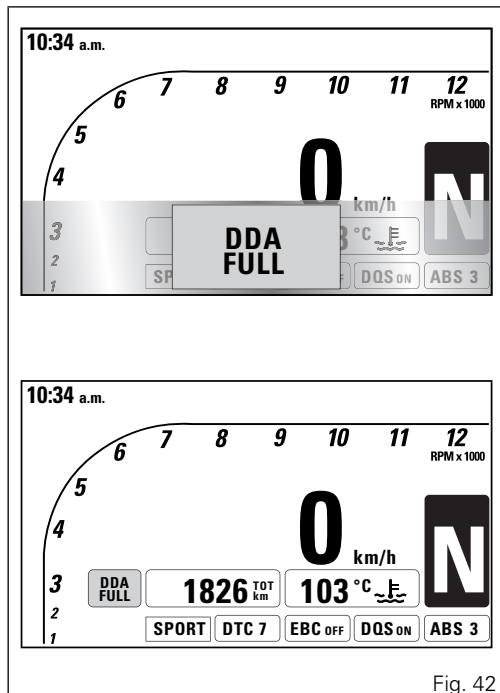


Fig. 42

## Ice

This function warns the rider about the possible presence of ice on the road, due to a low external temperature.

The message is displayed when the temperature decreases down to 4°C (39°F), and is disabled when temperature increases up to 6°C (43°F).

### Warning

This warning does not eliminate the possibility of icy road areas even with temperatures above 4°C (39°F); when ambient temperature is "low", ride responsibly, especially on road areas not exposed to sunlight and/or on bridges.

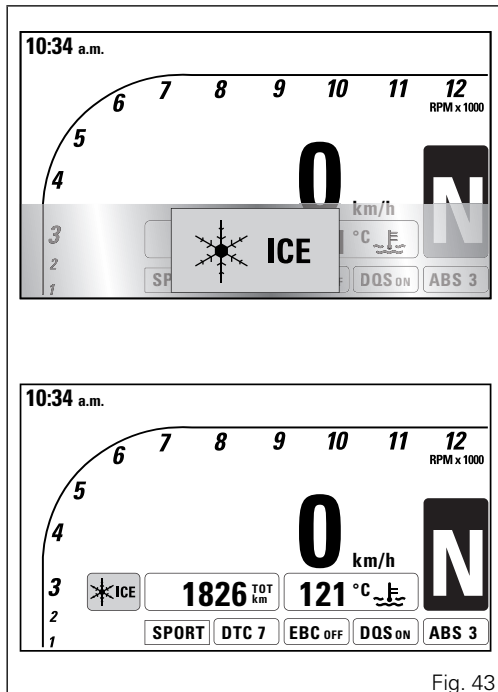


Fig. 43

## Error indication

The instrument panel manages error warnings in order to allow the rider to identify any abnormal vehicle behaviour in real time.

Upon Key-On, if there are errors the instrument panel displays the indication of the present errors and turns on the EOBD light.

During vehicle normal operation, any time an error warning is activated, the instrument panel automatically displays the error indication and turns on the EOBD light.

When an error is triggered, the indication remains well visible for 5 seconds ("large" icon) then becomes smaller ("small" icon).

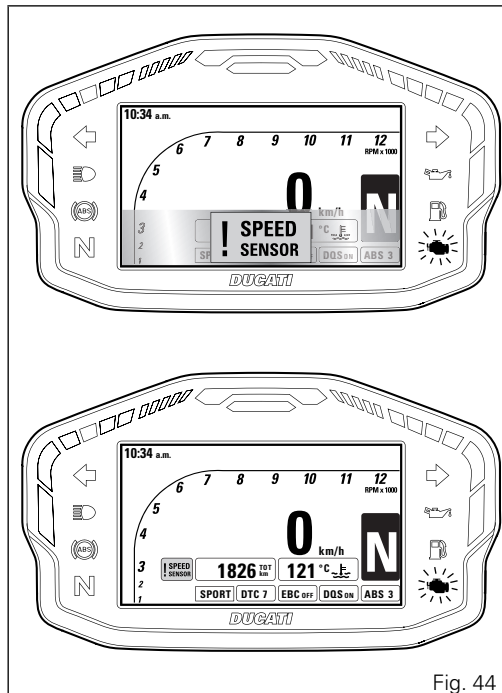


Fig. 44

If several errors are present, the corresponding icons will be displayed one after the other and every one will stay on for 3 seconds.

When an error is triggered the EOBD light turns on as well.



### Warning

When one or more errors are displayed, always contact a Ducati Dealer or authorised Service Centre.

## Displayed error description

<b>Displayed error</b>	<b>Description</b>
CAN LINE	CAN line BUS OFF
UNKNOWN DEVICE	Control unit not acknowledged by the system - wrong SW
ABS	ABS control unit faulty communication / operation
BBS	BBS control unit faulty communication / operation
	BBS control unit general malfunction
	Exhaust valve motor malfunction
DSB	DSB control unit faulty communication / operation
E-LOCK	E-LOCK control unit faulty communication / operation
	E-LOCK control unit general malfunction
	(Immobilizer) key-antenna malfunction
ENGINE	ECU control unit faulty communication / operation
	ECU control unit general malfunction
	Throttle position sensor malfunction
	Throttle grip position sensor malfunction
	Throttle motor or relay malfunction
	Pressure sensor malfunction
	Engine coolant temperature sensor malfunction

<b>Displayed error</b>	<b>Description</b>
	Intake duct air temperature sensor malfunction
	Injection relay malfunction
	Ignition coil malfunction
	Injector malfunction
	Engine rpm sensor malfunction
	Lambda sensor or Lambda sensor heater malfunction
	Motorcycle starting relay malfunction
	Quick shift device switch malfunction
	Secondary air sensor malfunction
DES	Front suspension compression general malfunction
	Front suspension rebound general malfunction
	Rear suspension compression general malfunction
	Rear suspension rebound general malfunction
GEAR SENSOR	Gear sensor malfunction
FUEL SENSOR	Reserve NTC sensor malfunction
SPEED SENSOR	Front and/or rear speed sensor malfunction
BATTERY	Battery voltage too high or too low
STOP LIGHT	Stop light not working

<b>Displayed error</b>	<b>Description</b>
FAN	Electric cooling fan malfunction
SIDE STAND	Side stand sensor malfunction


















#### Note

The message "FAN" can be displayed also in case of BBS control unit malfunction and its faulty communication with fans. Pay attention to engine temperature indication.



## Error icons table

<b>"WARNING LIGHT / ERROR" MESSAGE</b>	<b>ERROR</b>
 ABS	ABS control unit
 BBS	Black-Box control unit
 DSB	Instrument panel ctrl unit
 E-LOCK	E-LOCK control unit
 CAN LINE	Can Bus OFF
 UNKNOWN DEVICE	Software compatibility
 FUEL SENSOR	Low fuel sensor
 GEAR SENSOR	Gear sensor
 DES	Electronic suspensions

<b>"WARNING LIGHT / ERROR" MESSAGE</b>	<b>ERROR</b>
 SIDE STAND	Side stand sensor
 STOP LIGHT	Rear stop light
 BATTERY	Battery voltage
 ENGINE	ECU
 SPEEDSENSOR	Speed sensor
 FAN	Cooling fan

 **Note**

The message "FAN" can be displayed also in case of BBS control unit malfunction and its faulty communication with fans. Pay attention to engine temperature indication.

## Side stand status display

The instrument panel receives data about stand status and, if side stand is open, it displays "SIDE STAND" on a red background.

If the Side stand sensor error is live, the instrument panel displays the open side stand warning, turns on the EOBD light and displays the corresponding "Side stand sensor" error.

If the instrument panel does not receive the side stand status, the "SIDE STAND" indication (open side stand) will flash to indicate an indefinite status.

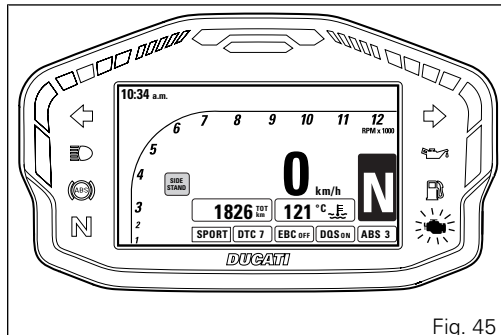


Fig. 45

## Setting MENU

This menu allows enabling, disabling and setting some vehicle functions.

To enter the Setting MENU it is necessary to hold button (2) for 3 seconds, with Key-On and vehicle actual speed (lower than or equal to) 20 km/h: within this menu, it is no longer possible to view any other function).

The Setting MENU displays the following functions:

- RIDING MODE
- RPM
- BATTERY
- DDA
- PIN CODE
- CLOCK
- DATE
- BACK LIGHT
- UNITS
- LAP (active only for display "TRACK" layout)

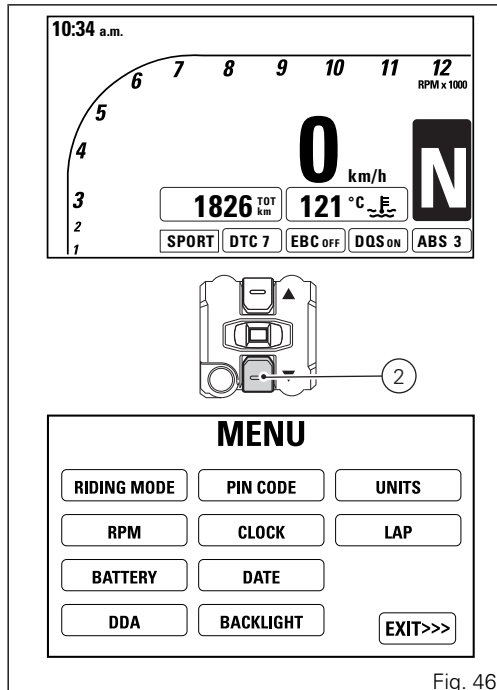


Fig. 46



## Important

For safety reasons, it is recommended to use this Menu with the motorcycle at a standstill.

Press buttons (1) and (2) to highlight the customisable parameters one by one: in particular, use button (1) to highlight the following item and button (2) to highlight the previous item.

After highlighting the required parameter, press button (4) to open the corresponding Menu page.

If function is not available or temporarily disabled, the MENU page can not be opened.

To quit the Setting MENU you shall highlight "EXIT" and press CONFIRM MENU button 4.

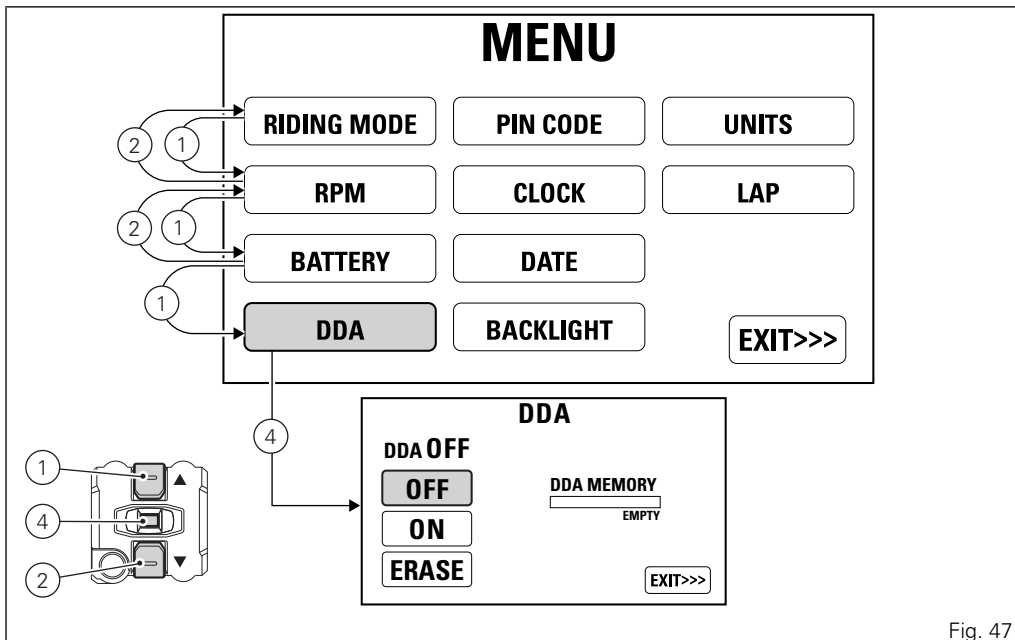


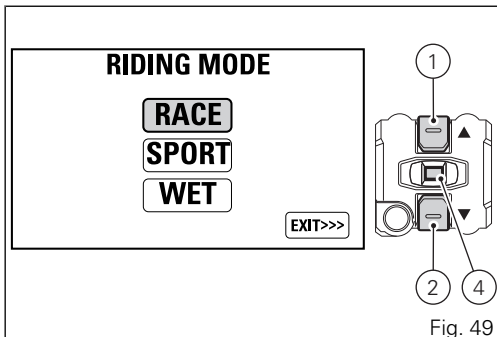
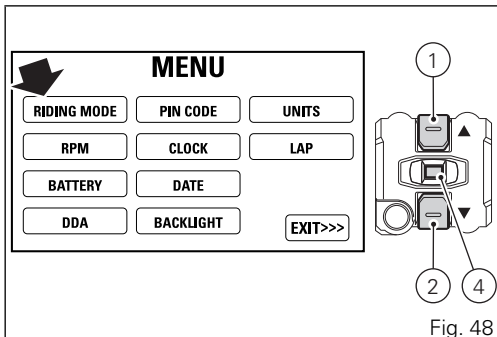
Fig. 47

## Customising Riding Modes

All settings of every riding mode can be customised. Enter the Setting MENU.

Select "RIDING MODE" option, by pressing button (1) or (2). Once function is highlighted, press CONFIRM MENU button (4).

You open the "RIDING MODE" menu. Select the desired riding mode (RACE, SPORT or WET), by pressing button (1) or (2). Once desired mode is highlighted, press CONFIRM MENU button (4). You open the selected riding mode customisation Menu. While if you highlight "EXIT" and press button (4) you quit the sub-menu and go back to previous page.



The parameters that can be customised for every riding mode are the following:

- ABS
- EBC
- DES
- DISPLAY
- DQS (active only if bike fitted with DQS)
- DTC
- ENGINE
- DEFAULT

Press buttons (1) and (2) to highlight the customisable parameters one by one: in particular, use button (1) to highlight the following item and button (2) to highlight the previous item.

After highlighting the required parameter, press button (4) to open the corresponding Menu page. Any parameter change made is saved and remains in the memory also after a Battery-Off.

The parameters set by Ducati for each individual riding style can be restored with the DEFAULT function.

If you highlight "EXIT" and press button (4) you quit the sub-menu and go back to previous page.



## Warning

Changes should only be made to the parameters by people who are experts in motorcycle set-up; if the parameters are changed accidentally, use the "DEFAULT" function to restore factory settings.



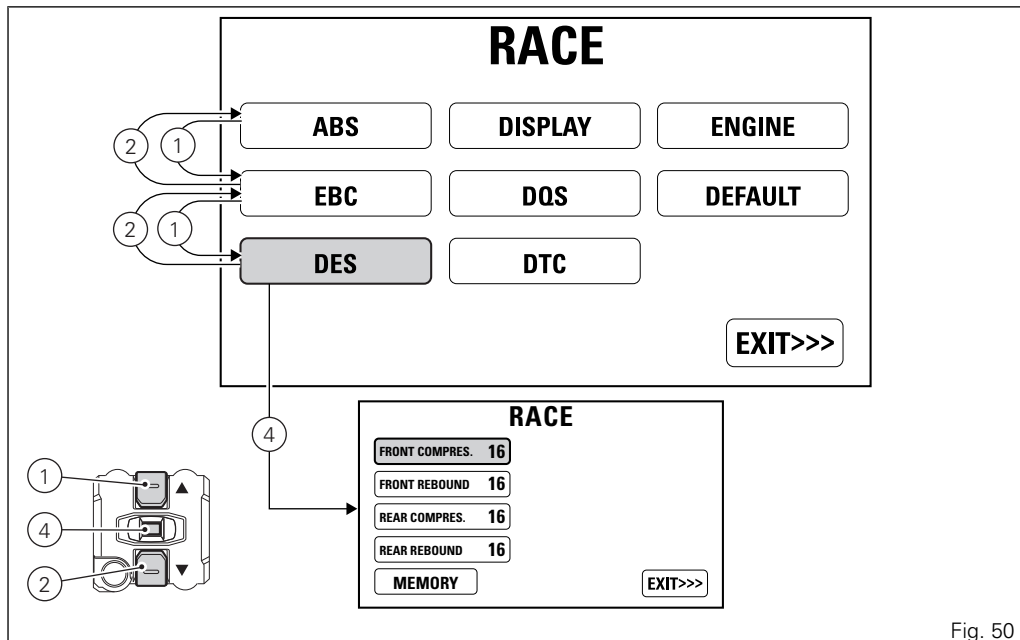


Fig. 50

## Riding mode customisation: ABS adjustment

This function disables or sets ABS level for the selected riding mode. Enter the Setting MENU. Select "RIDING MODE" option, by pressing button (1) or (2).

Once function is highlighted, press CONFIRM MENU button (4).

You open the "RIDING MODE" menu. Select the desired riding mode (RACE, SPORT or WET), by pressing button (1) or (2).

Once desired mode is highlighted, press CONFIRM MENU button (4). You open the selected riding mode customisation Menu. Select the parameter to be customised (ABS), by pressing button (1) or (2). Once desired parameter is highlighted, press CONFIRM MENU button (4).

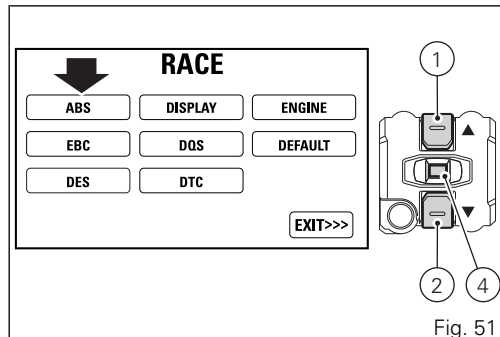


Fig. 51

When you open the function, the currently set ABS level or status is shown on the left (e.g.: ABS 1). Customisation options are listed on the right: levels from 1 to 3 and status OFF. Press buttons (1) and (2) to highlight the levels one by one: in particular, use button (1) to highlight the following item and button (2) to highlight the previous item. Once desired level is selected, press CONFIRM MENU button (4) to highlight MEMORY item.

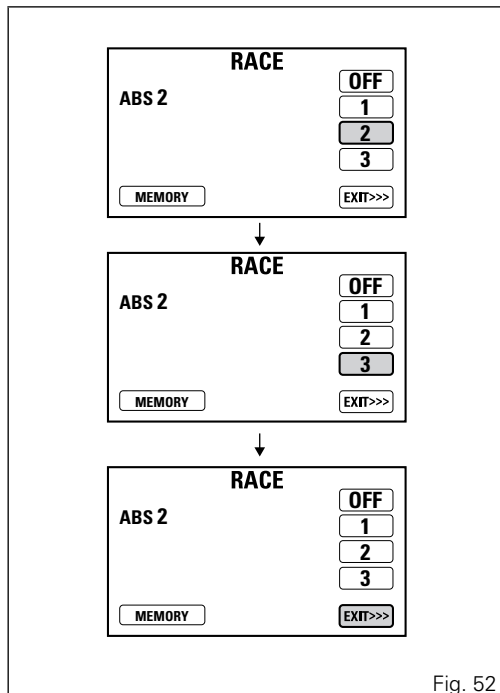


Fig. 52

To save the new setting, hold button (4) for 3 seconds while the MEMORY item is highlighted in orange. If new settings have been saved, MEMORIZED will be shown in green for 1 second, the set level or status will be refreshed (refresh is indicated with the green colour) and then EXIT will be highlighted in green. To exit the menu and go back to previous page, select EXIT and press button (4).



#### Note

When you enable or disable the ABS through this function, i.e. toggling from disabled to enabled system or vice-versa, the procedure for activating or deactivating the ABS is carried out: the change of status of the ABS control unit is not instantaneous, it requires at least 6 seconds.

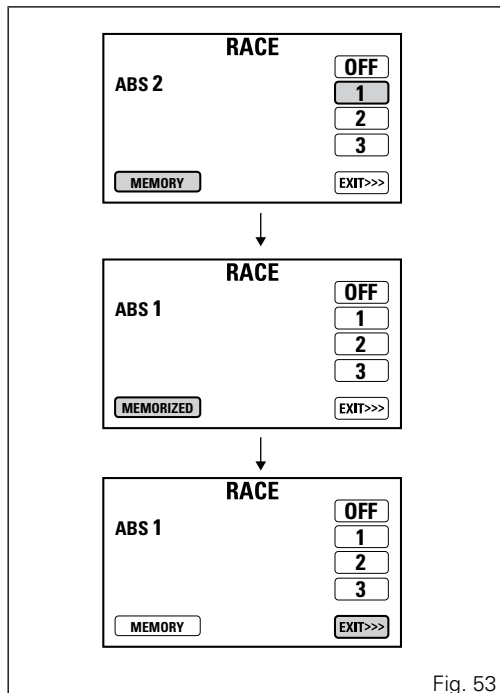


Fig. 53

## Riding mode customisation: electronic suspension adjustment

This function allows selecting the compression and rebound setting of the electronic suspension of each riding mode.

Enter the Setting MENU. Select "RIDING MODE" option, by pressing button (1) or (2). Once function is highlighted, press CONFIRM MENU button (4). You open the "RIDING MODE" menu.

Select the desired riding mode (RACE, SPORT or WET), by pressing button (1) or (2). Once desired mode is highlighted, press CONFIRM MENU button (4).

You open the selected riding mode customisation Menu. Select the parameter to be customised (DES), by pressing button (1) or (2). Once desired parameter is highlighted, press CONFIRM MENU button (4).

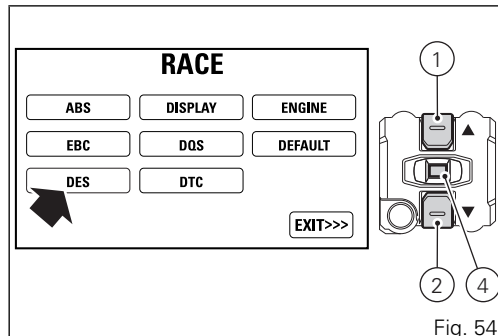


Fig. 54

When opening this function, the number of clicks currently set for the four possible parameters is shown on the left:

- FRONT COMPRES
- FRONT REBOUND
- REAR COMPRES
- REAR REBOUND

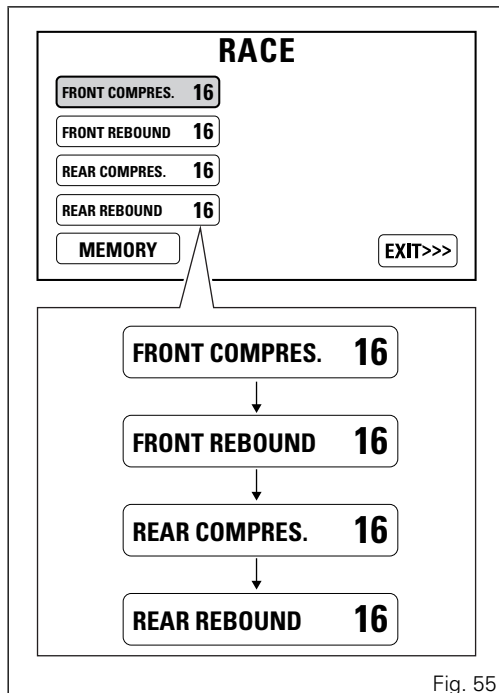


Fig. 55

Press buttons (1) and (2) to highlight the customisable parameters one by one: in particular, use button (1) to highlight the following item and button (2) to highlight the previous item.

After highlighting the required parameter, press button (4) to open the corresponding Menu page. Customisation options are listed on the right: number of clicks from 0 to 31.

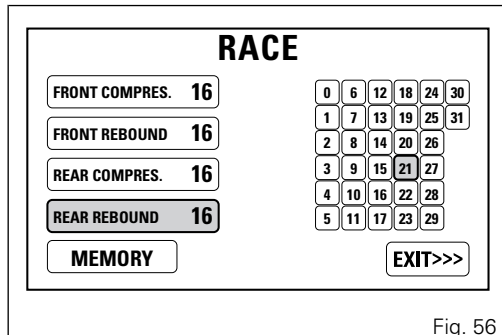


Fig. 56

Press buttons (1) and (2) to highlight the number of clicks one by one: in particular, use button (1) to highlight the following item and button (2) to highlight the previous item.

Once desired click setting is selected, press CONFIRM MENU button (4) to highlight MEMORY item.

To save the new setting, hold button (4) for 3 seconds while the MEMORY item is highlighted in orange. If new settings have been saved, MEMORIZED will be shown in green for 1 second, the set number of clicks will be refreshed.

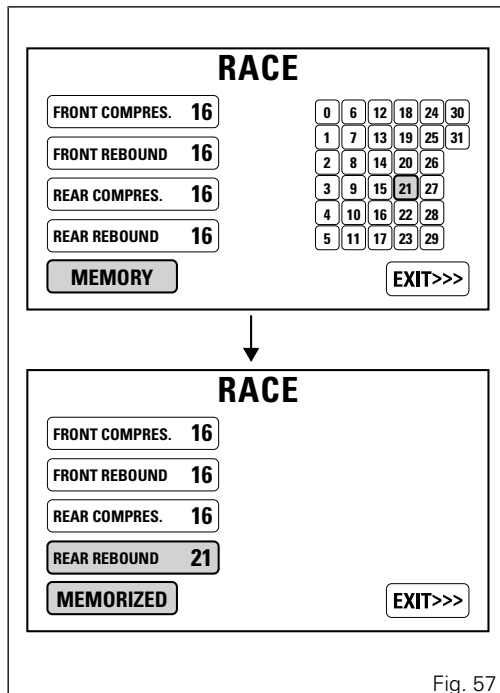


Fig. 57



To exit the menu and go back to previous page, select EXIT and press button (4).



### Note

By increasing the click setting you decrease the hydraulic damping, by decreasing the click setting you increase the hydraulic damping.

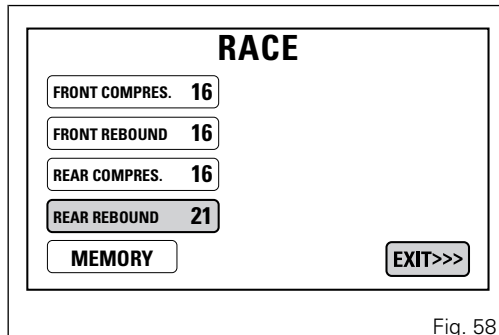


Fig. 58

## Customising Riding Modes: Display setting

This function allows selecting the layout of the main screen of each riding mode.

Enter the Setting MENU. Select "RIDING MODE" option, by pressing button (1) or (2).

Once function is highlighted, press CONFIRM MENU button (4).

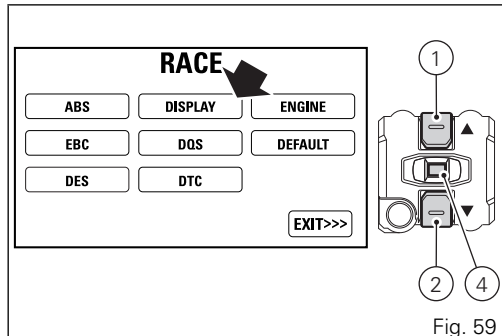
You open the "RIDING MODE" menu. Select the desired riding mode (RACE, SPORT or WET), by pressing button (1) or (2).

Once desired mode is highlighted, press CONFIRM MENU button (4).

You open the selected riding mode customisation Menu.

Select the parameter to be customised (DISPLAY), by pressing button (1) or (2).

Once desired parameter is highlighted, press CONFIRM MENU button (4).



When opening this function, the currently set type of main page is shown on the left. Customisation options are listed on the right: ROAD or TRACK. Press buttons (1) and (2) to highlight the main page types one by one: in particular, use button (1) to highlight the following item and button (2) to highlight the previous item.

Once desired main page layout is selected, press CONFIRM MENU button (4) to highlight MEMORY item.

To save the new setting, hold button (4) for 3 seconds while the MEMORY item is highlighted in orange.

If new settings have been saved, MEMORIZED will be shown in green for 1 second, the set page layout will be refreshed (refresh is indicated with the green colour) and then EXIT will be highlighted in green.

To exit the menu and go back to previous page, select EXIT and press button (4).

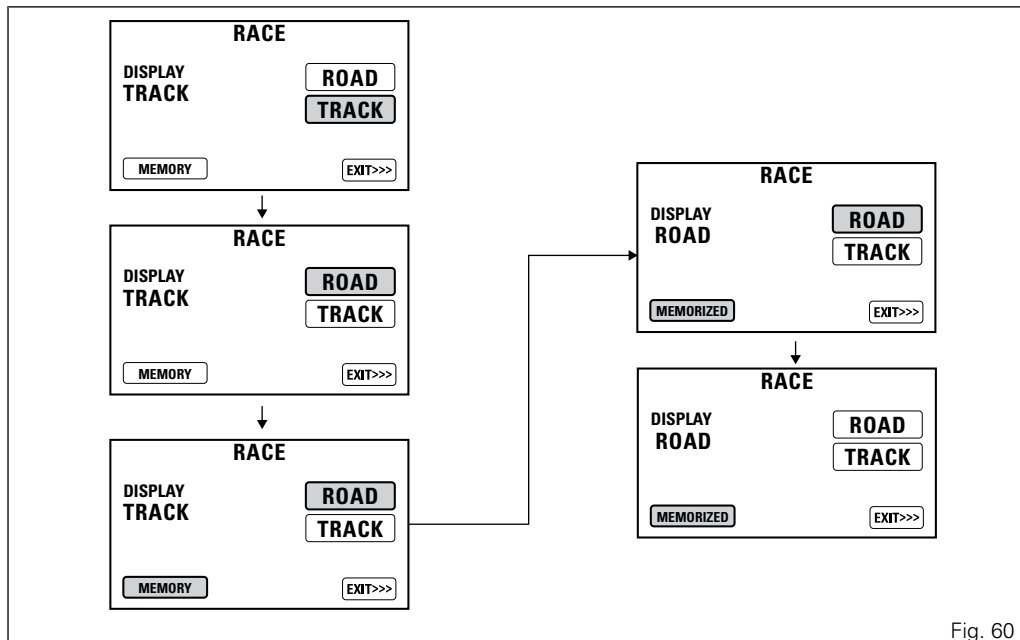


Fig. 60

## Customising Riding Modes: DQS enable/disable

The DQS customisation page is only available for the bikes equipped with the DQS.

This function disables or enables the DQS for the selected riding mode.

Enter the Setting MENU. Select "RIDING MODE" option, by pressing button (1) or (2).

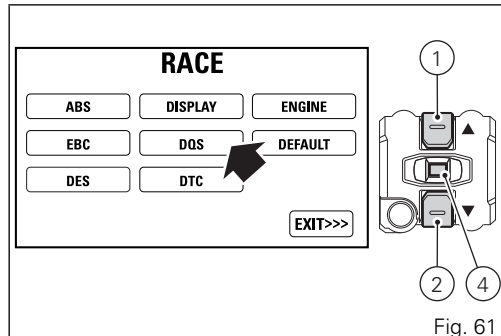
Once function is highlighted, press CONFIRM MENU button (4).

You open the "RIDING MODE" menu. Select the desired riding mode (RACE, SPORT or WET), by pressing button (1) or (2).

Once desired mode is highlighted, press CONFIRM MENU button (4).

You open the selected riding mode customisation Menu. Select the parameter to be customised (DQS), by pressing button (1) or (2).

Once desired parameter is highlighted, press CONFIRM MENU button (4).



When opening this function, DQS currently set status is shown on the left (e.g.: DQS ON).

Customisation options are listed on the right: status ON and OFF.

Press buttons (1) and (2) to highlight the statuses one by one: in particular, use button (1) to highlight the following item and button (2) to highlight the previous item.

Once desired status is selected, press CONFIRM MENU button (4) to highlight MEMORY item.

To save the new setting, hold button (4) for 3 seconds while the MEMORY item is highlighted in orange.

If new settings have been saved, MEMORIZED will be shown in green for 1 second, the set status will be refreshed (refresh is indicated with the green colour) and then EXIT will be highlighted in green.

To exit the menu and go back to previous page, select EXIT and press button (4).

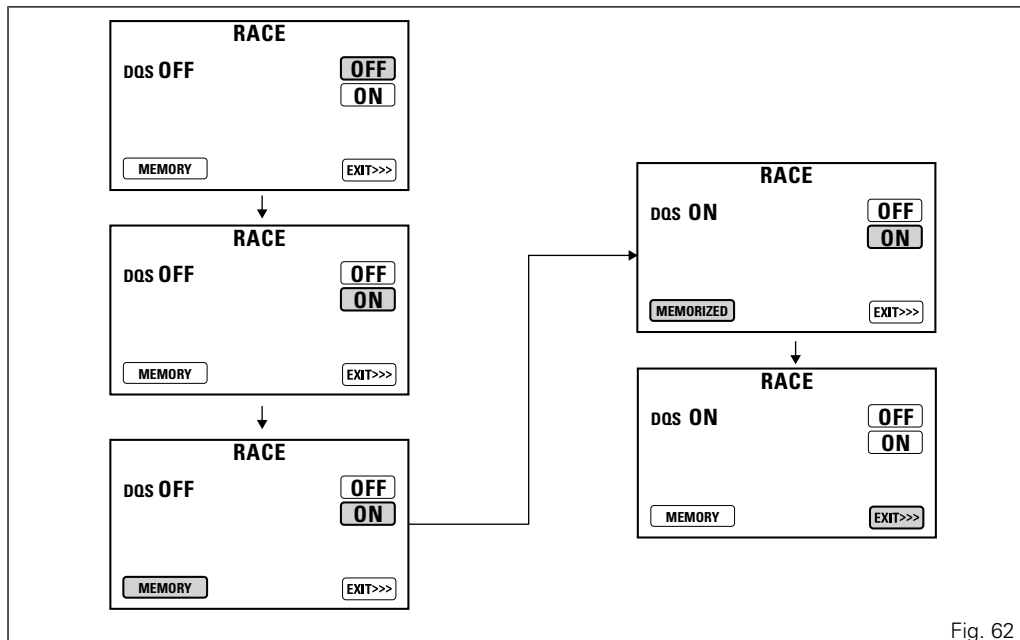


Fig. 62

## Customising Riding Modes: DTC level setting

This function disables or sets DTC level for the selected riding mode.

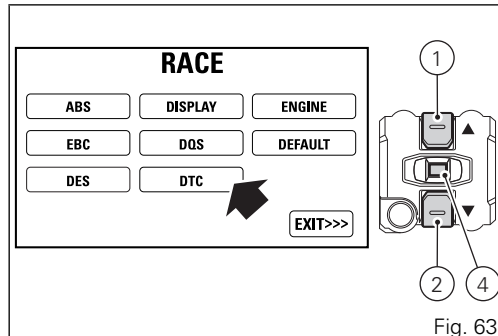
Enter the Setting MENU. Select "RIDING MODE" option, by pressing button (1) or (2).

Once function is highlighted, press CONFIRM MENU button (4).

You open the "RIDING MODE" menu. Select the desired riding mode (RACE, SPORT or WET), by pressing button (1) or (2).

Once desired mode is highlighted, press CONFIRM MENU button (4).

You open the selected riding mode customisation Menu.





When you open the function, the currently set DTC level or status is shown on the left (e.g.: DTC 3).

Customisation options are listed on the right: levels from 1 to 8 and status OFF.

Select the parameter to be customised (DTC), by pressing button (1) or (2).

Once desired parameter is highlighted, press CONFIRM MENU button (4).

To save the new setting, hold button (4) for 3 seconds while the MEMORY item is highlighted in orange.

If new settings have been saved, MEMORIZED will be shown in green for 1 second, the set level or status will be refreshed (refresh is indicated with the green colour) and then EXIT will be highlighted in green.

To exit the menu and go back to previous page, select EXIT and press button (4).

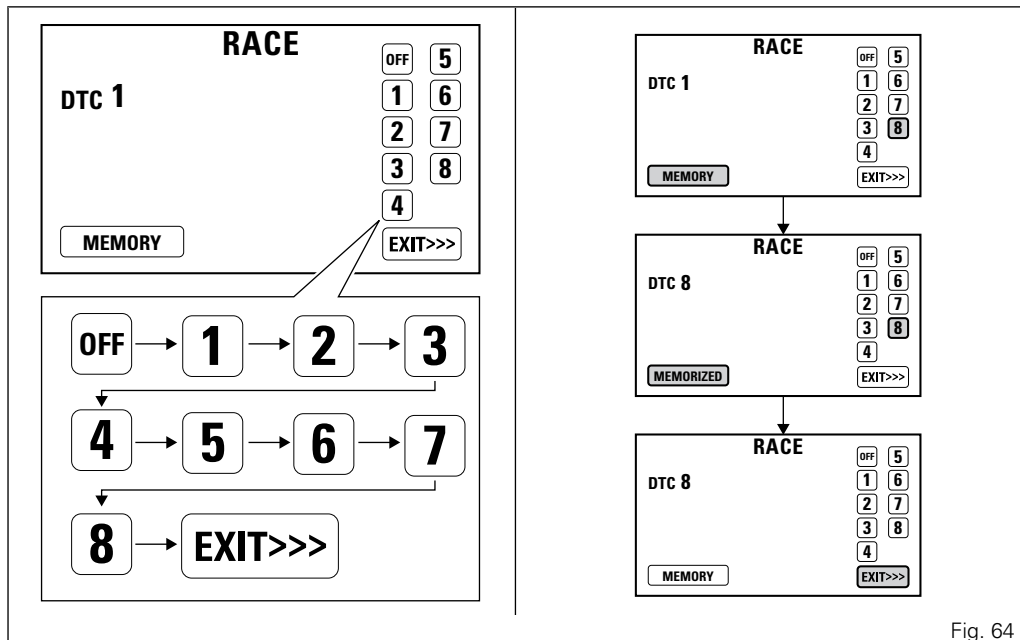


Fig. 64

## Customising Riding Modes: Engine setting

This function customises engine power associated with each riding mode.

Enter the Setting MENU. Select "RIDING MODE" option, by pressing button (1) or (2).

Once function is highlighted, press CONFIRM MENU button (4). You open the "RIDING MODE" menu. Select the desired riding mode (RACE, SPORT or WET), by pressing button (1) or (2). Once desired mode is highlighted, press CONFIRM MENU button (4).

You open the selected riding mode customisation Menu.

Select the parameter to be customised (ENGINE), by pressing button (1) or (2). Once desired parameter is highlighted, press CONFIRM MENU button (4).

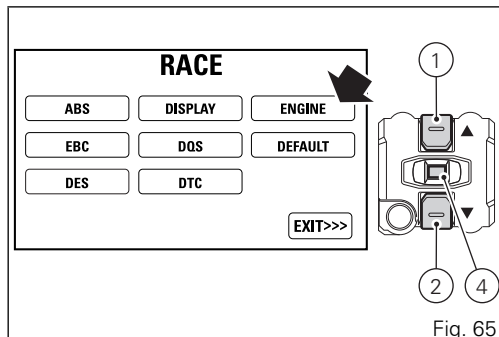


Fig. 65

When opening this function, the currently set engine power is shown on the left (e.g.: ENGINE 195Hi). Customisation options are listed on the right:

- 195Hi, 195Lo, 120 (Europe, UK, USA, Canada, Brazil, Taiwan versions).
- HIGH, MED, LOW (France and Japan versions).

Europe, UK, USA, Canada, Brazil, Taiwan

**RACE**

ENGINE  
**195Hi**

195Hi

195Lo

120

MEMORY

EXIT>>>



**RACE**

ENGINE  
**195Hi**

195Hi

195Lo

120

MEMORY

EXIT>>>

France, Japan

**RACE**

ENGINE  
**HIGH**

HIGH

MED

LOW

MEMORY

EXIT>>>



**RACE**

ENGINE  
**HIGH**

HIGH

MED

LOW

MEMORY

EXIT>>>

Fig. 66

Press buttons (1) and (2) to highlight the engine power values one by one: in particular, use button (1) to highlight the following item and button (2) to highlight the previous item.

Once desired engine power is selected, press CONFIRM MENU button (4) to highlight MEMORY item.

To save the new setting, hold button (4) for 3 seconds while the MEMORY item is highlighted in orange.

If new settings have been saved, MEMORIZED will be shown in green for 1 second, the set engine power will be refreshed (refresh is indicated with the green colour) and then EXIT will be highlighted in green.

To exit the menu and go back to previous page, select EXIT and press button (4).

Europe, UK, USA, Canada, Brazil, Taiwan

**RACE**

ENGINE  
195Hi

195 Hi  
195Lo  
120

MEMORY      EXIT>>>



**RACE**

ENGINE  
195Hi

195 Hi  
195Lo  
120

MEMORIZED      EXIT>>>



**RACE**

ENGINE  
195Hi

195 Hi  
195Lo  
120

MEMORY      EXIT>>>

France, Japan

**RACE**

ENGINE  
HIGH

HIGH  
MED  
LOW

MEMORY      EXIT>>>



**RACE**

ENGINE  
HIGH

HIGH  
MED  
LOW

MEMORIZED      EXIT>>>



**RACE**

ENGINE  
MED

HIGH  
MED  
LOW

MEMORY      EXIT>>>

Fig. 67

## Customising Riding Modes: EBC level setting

This function disables or sets the rear wheel antilocking system (EBC) level for every single riding mode.

Enter the Setting MENU.

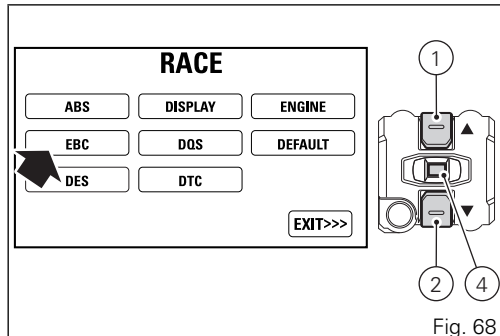
Select "RIDING MODE" option, by pressing button (1) or (2).

Once function is highlighted, press CONFIRM MENU button (4).

You open the "RIDING MODE" menu.

Select the desired riding mode (RACE, SPORT or WET), by pressing button (1) or (2).

Once desired mode is highlighted, press CONFIRM MENU button (4). You open the selected riding mode customisation Menu. Select the parameter to be customised (EBC), by pressing button (1) or (2). Once desired parameter is highlighted, press CONFIRM MENU button (4).



When you open the function, the currently set EBC level or status is shown on the left (e.g.: EBC 1). Customisation options are listed on the right: levels from 1 to 3 and status OFF. Press buttons (1) and (2) to highlight the levels one by one: in particular, use button (1) to highlight the following item and button (2) to highlight the previous item. Once desired level is selected, press CONFIRM MENU button (4) to highlight MEMORY item.

To save the new setting, hold button (4) for 3 seconds while the MEMORY item is highlighted in orange. If new settings have been saved, MEMORIZED will be shown in green for 1 second, the set level or status will be refreshed (refresh is indicated with the green colour) and then EXIT will be highlighted in green. To exit the menu and go back to previous page, select EXIT and press button (4).

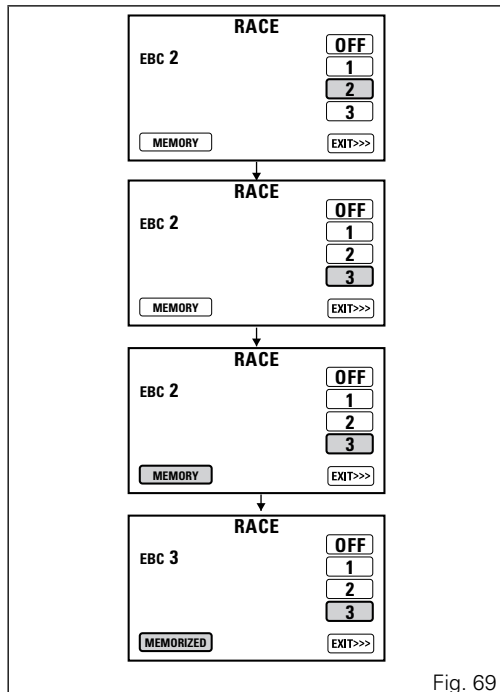


Fig. 69



## Customising Riding Modes: Restore default settings

This function allows restoring the default values set by Ducati for the parameters relating to each riding mode. Enter the Setting MENU. Select "RIDING MODE" option, by pressing button (1) or (2). Once function is highlighted, press CONFIRM MENU button (4). You open the "RIDING MODE" menu. Select the desired riding mode (RACE, SPORT or WET), by pressing button (1) or (2). Once desired mode is highlighted, press CONFIRM MENU button (4). You open the selected riding mode customisation Menu. Select the parameter to be customised (DEFAULT), by pressing button (1) or (2). Once desired parameter is highlighted, press CONFIRM MENU button (4).

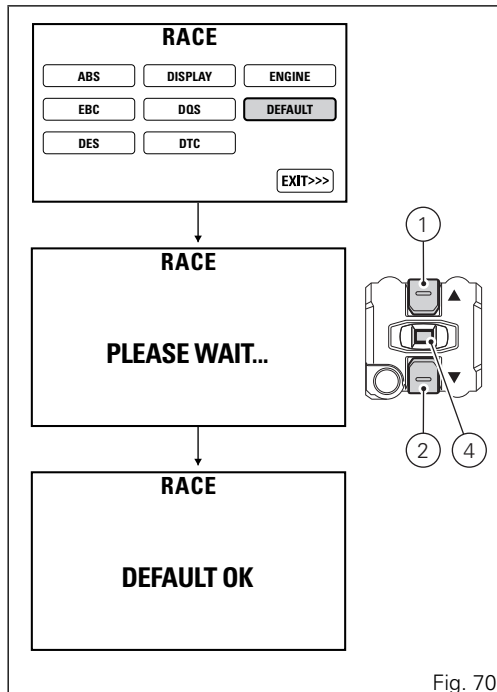


Fig. 70

To restore parameters, system needs 3 seconds; meanwhile, PLEASE WAIT... indication is displayed. Once procedure is completed, the display shows DEFAULT OK for 2 seconds to confirm that parameters have been reset to factory settings. The display then goes automatically back to the riding mode customisation menu page, highlighting EXIT option. To exit the menu and go back to Setting Menu main page, select EXIT and press button (4).

## Engine rpm digital indication (RPM)

This function displays the number of RPMs in digital format (recommended for improved accuracy when setting idle rpm).

Enter the Setting MENU.

Select "RPM" option, by pressing button (1) or (2).

Once function is highlighted, press CONFIRM MENU button (4).

You open the "RPM" menu. The display shows the numerical value of the RPM with a precision of 50 rpm.

If the instrument panel is not receiving RPM value, a string of five steady dashes "-----" is displayed to indicate an undefined reading.

To exit the menu and go back to Setting Menu main page, select EXIT and press button (4).

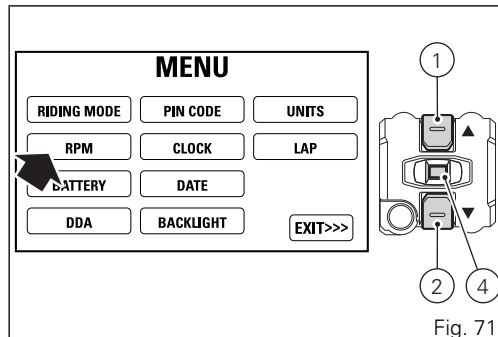


Fig. 71

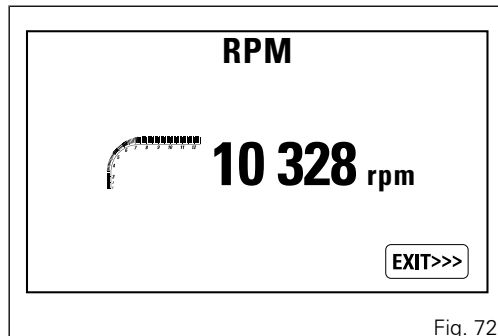


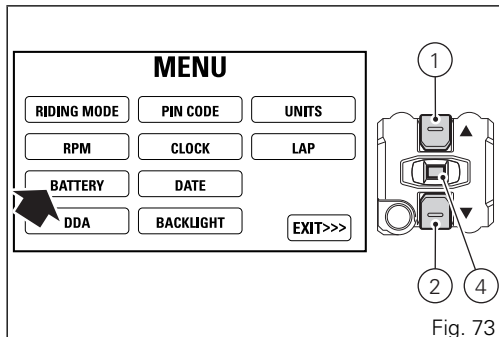
Fig. 72

## Battery voltage

This function allows you to check the vehicle battery voltage. Enter the Setting MENU. Select "BATTERY" option, by pressing button (1) or (2). Once function is highlighted, press CONFIRM MENU button (4). You open the "BATTERY" menu.

The information will be displayed as follows:

- if battery voltage is below 11.0 V, a flashing LOW warning is displayed with the battery icon on a red background;
- if battery voltage is between 11.0 V and 11.7 V the reading will be displayed flashing with the battery icon on a red background;
- if battery voltage is between 11.8 V and 14.9 V the reading will be displayed as a steady value with the battery icon on the standard background;
- if battery voltage is between 15.0 V and 16.0 V the reading will be displayed flashing with the battery icon on a red background;
- if battery voltage is over 15.0 V, a flashing HIGH warning is displayed with the battery icon on a red background.



If the battery voltage error is present, the instrument panel will show three flashing dashes " --- " as voltage value, followed by the unit of measurement, the EOBD light will turn on as well and the corresponding error BATTERY is displayed.

If the instrument panel is not receiving battery voltage value, a string of three steady dashes " --- " is displayed, followed by the unit of measurement.

To exit the menu and go back to Setting MENU main page, select EXIT and press button (4).

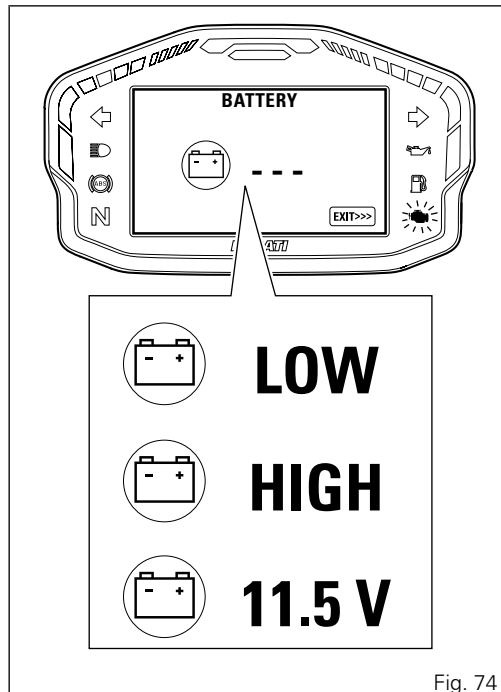


Fig. 74

## DDA

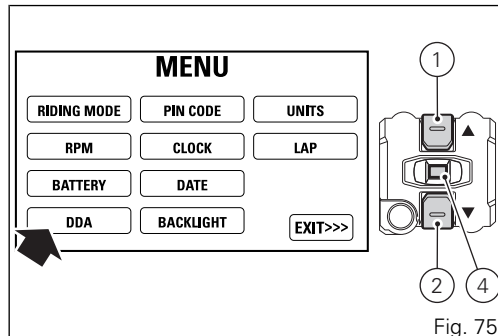
This function allows you to enable and disable the DDA, view the percentage of memory used and to delete data stored in the DDA memory.

The page for the DDA is only available when the device is fitted to the motorcycle.

You enter the Setting MENU. Select "DDA" option, by pressing button (1) or (2).

Once function is highlighted, press CONFIRM MENU button (4).

You open the "DDA" Menu.



## DDA enable/disable

When entering the function, the currently set DDA status is indicated on the left (e.g.: DDA ON).

Below this indication is the list of possible customisation options: status ON and status OFF.

Press buttons (1) and (2) to highlight the available statuses one by one: in particular, use button (1) to highlight the following item and button (2) to highlight the previous item.

Once the desired status is highlighted, press CONFIRM MENU button (4) to confirm.

The status indication will be refreshed with the newly set status (update is indicated in green).

To exit the menu and go back to previous page, select EXIT and press button (4).



### Note

The DDA is automatically disabled by the instrument panel upon every Key-OFF.

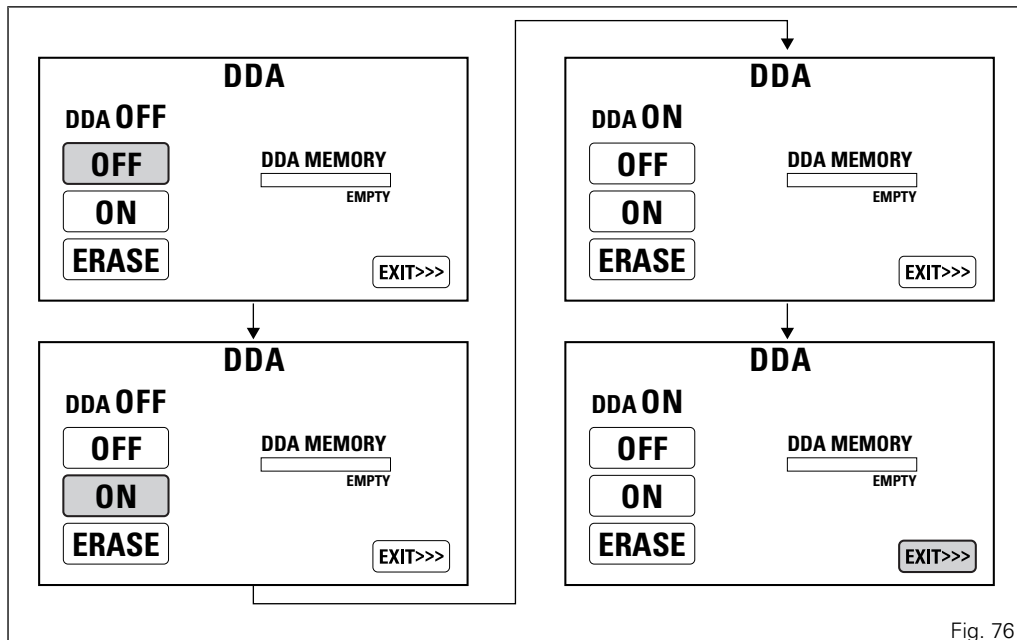


Fig. 76



## Viewing/deleting the DDA memory

When entering the function, the current DDA memory status is indicated on the right as a percentage:

- when bar is empty and reads EMPTY, DDA memory is empty;
- when bar is partially coloured and a percentage is specified, DDA memory is full by the indicated percentage;
- when bar is completely coloured and reads FULL, DDA memory is completely full.

With DDA OFF, you can delete the memory. Select "ERASE" option, by pressing button (1) or (2).

Press CONFIRM MENU (4) for at least 3 seconds to confirm.

After 3 seconds, the instrument panel will show "PLEASE WAIT..." for as long as the deletion is completed (depending on the quantity of data to be deleted).

If deletion is successful, the instrument panel will read ERASE OK for 2 seconds and refresh the memory status displayed. If deletion is not successful, the instrument panel will still show memory used status.

To exit the menu and go back to previous page, select "EXIT" and press button (4).



### Warning

If the DDA is set to "ON" the deletion is inhibited and you can not even select the ERASE option.

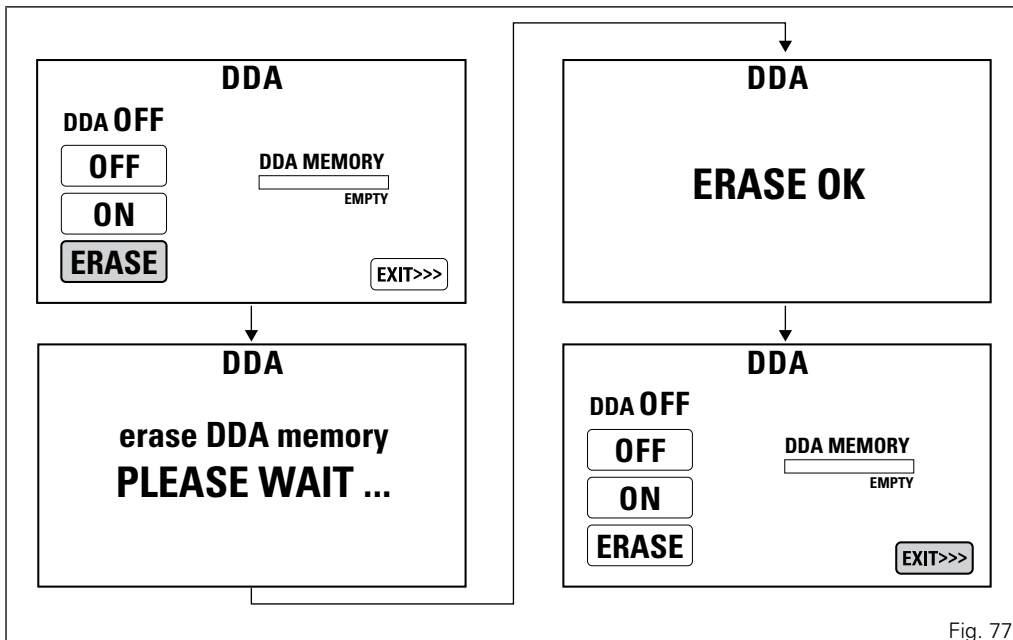


Fig. 77

## Pin Code

This function makes it possible to "temporarily" turn on the motorcycle if the E-Lock system is not working (if steering lock is disengaged and the ELock system is in fault).

The PIN CODE is initially not present in the motorcycle, it must be activated by the user by entering his/her 4-digit PIN in the instrument panel, otherwise the motorcycle cannot be started temporarily in the case of a malfunction. To activate this function, refer to "Entering the PIN CODE" procedure.

To change the PIN refer to "Changing the PIN CODE" procedure.

In order to temporarily start the motorcycle in case of malfunction of the E-LOCK system, please refer to the "Vehicle Release" procedure.



### Warning

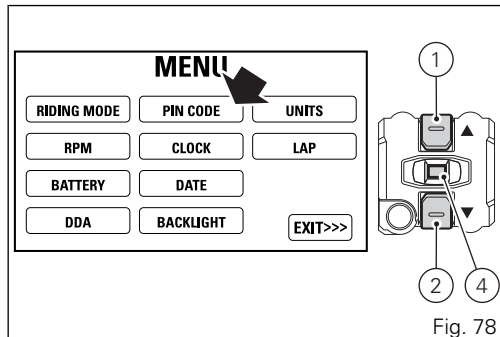
The motorcycle owner must activate (store) the PIN code; if there is already a stored PIN, contact an Authorised Ducati Dealer to have the function "reset". To perform this procedure, the Authorised Ducati Dealer may ask you to demonstrate that you are the owner of the motorcycle.

## Entering the PIN CODE

To activate the PIN CODE function and enter your own PIN CODE you must open the Setting MENU. Select "PIN CODE" option, by pressing button (1) or (2).

Once function is highlighted, press CONFIRM MENU button (4).

You open the "PIN CODE" menu.



When entering the function, the display shows the message INSERT PIN CODE followed by four green dashes "----".

Entering the code:

- 1) Press button (4), only one digit indicating "0" turns green;
- 2) Each time you press the button (2) the displayed number increases by one (+ 1) up to "9" and then starts back from "0";
- 3) Each time you press the button (1) the displayed number decreases by one (- 1) up to "1" and then starts back from "0";
- 4) To confirm the number, press the button (4);

Repeat the procedures until you confirm all the 4 digits of the PIN CODE.

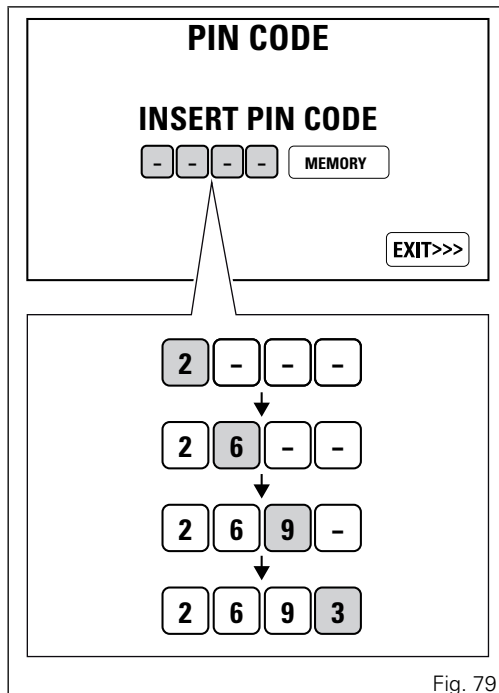


Fig. 79

When you press button (4) to confirm the fourth and last digit, the instrument panel highlights the message MEMORY.

To save the new setting, hold button (4) for 3 seconds while the message MEMORY is highlighted in orange.

If storage is successful, MEMORIZED will be highlighted in green for one second, and then EXIT will be highlighted in green.

Once the first PIN CODE is stored, this menu page is no longer available and is replaced by the page for changing the PIN CODE. The page for entering the very first PIN CODE is active and available again only in case the PIN CODE function is reset (but this is only possible at a DUCATI Authorised Service Centre).

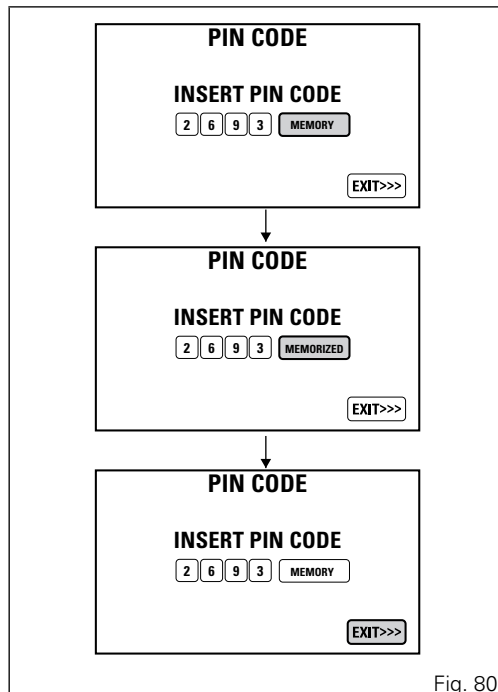


Fig. 80

## Changing the PIN CODE

To change the existing PIN CODE and activate a new one, you must open the Setting MENU.

Select "PIN CODE" option, by pressing button (1) or (2). Once function is highlighted, press CONFIRM MENU button (4). You open the "PIN CODE" menu. When entering the function, the display reads OLD CODE with four dashes in green "----" and NEW CODE below that.

Entering the "old" code:

- 1) Press button (4), only one digit indicating "0" turns green;
- 2) Each time you press the button (2) the displayed number increases by one (+ 1) up to "9" and then starts back from "0";
- 3) Each time you press the button (1) the displayed number decreases by one (- 1) up to "1" and then starts back from "0";
- 4) To confirm the number, press the button (4);

Repeat the procedures until you confirm all the 4 digits of the PIN CODE.

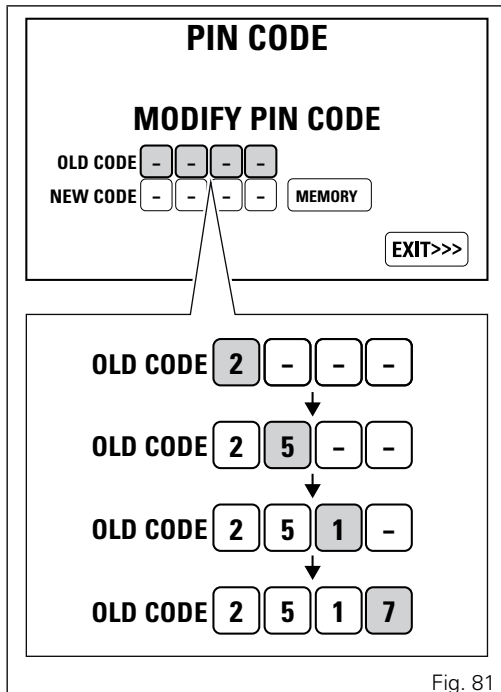


Fig. 81

When you press button (4) to confirm the fourth and last digit:

- if the PIN is not correct, the instrument panel displays WRONG for 3 seconds and then highlights the string of four dashes "----" for the OLD PIN to allow you to try again;
- if there is a problem during the PIN code check, the instrument panel displays ERROR for 3 seconds and then highlights the message EXIT;
- if the PIN code is correct, the instrument panel displays CORRECT for 3 seconds and then highlights the four dashes "----" of the NEW PIN.

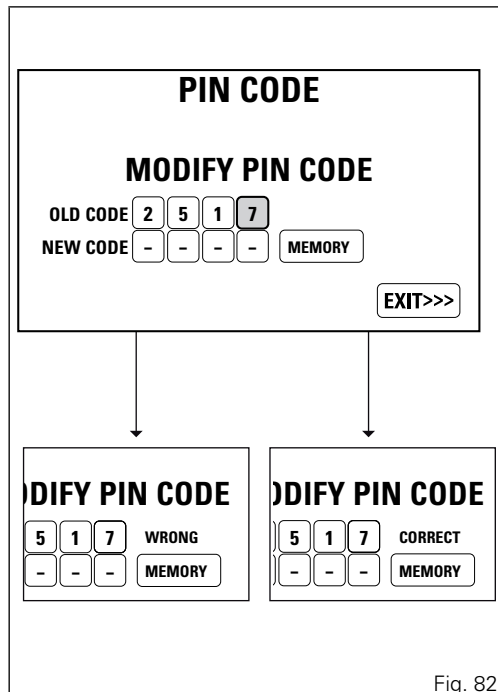


Fig. 82



Entering the "new" code:

- 1) Press button (4), only one digit indicating "0" turns green;
- 2) Each time you press the button (2) the displayed number increases by one (+ 1) up to "9" and then starts back from "0";
- 3) Each time you press the button (1) the displayed number decreases by one (- 1) up to "1" and then starts back from "0";
- 4) To confirm the number, press the button (4)

Repeat the procedures until you confirm all the 4 digits of the PIN CODE.

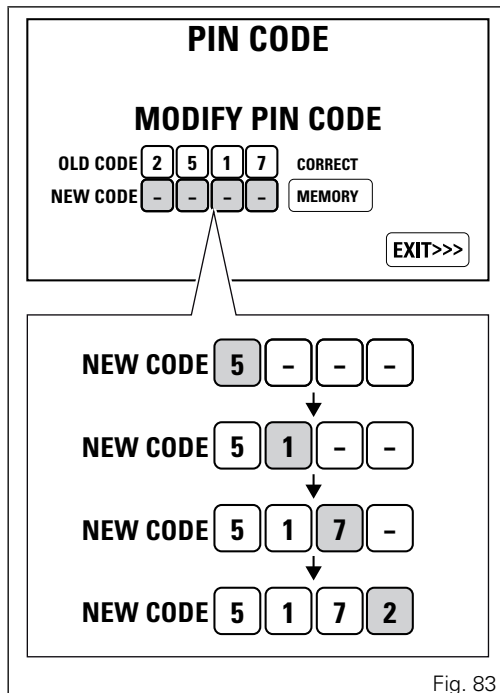


Fig. 83

When you press button (4) to confirm the fourth and last digit, the instrument panel highlights the message MEMORY.

To save the new setting, hold button (4) for 3 seconds while the message MEMORY is highlighted in orange.

If storage is successful, MEMORIZED will be highlighted in green for one second, and then EXIT will be highlighted in green.

If settings have not been saved, the instrument panel highlights again the string of four dashes "----" of the NEW PIN to allow the rider to try again and enter a new code.

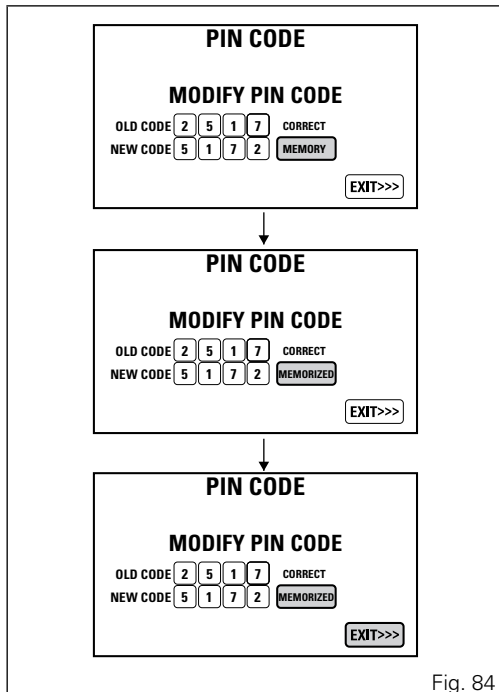
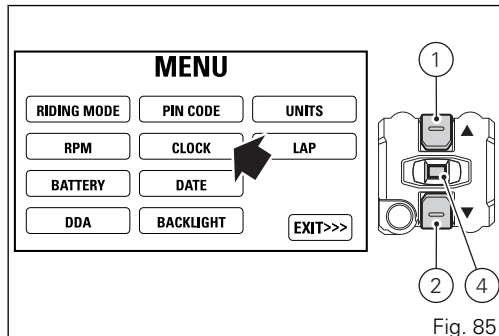


Fig. 84

## Clock setup

This function allows user to set or adjust the time. Enter the Setting MENU. Select "CLOCK" option, by pressing button (1) or (2).

Once function is highlighted, press CONFIRM MENU button (4). You open the "CLOCK SETTING" menu. The first screen shows, on the left side, the available time setting: HOUR, MINUTE, AM/PM, while the current time is displayed on the right side (e.g.: 10:30 a.m.).



## Setting the hours

Select "HOUR" option, by pressing button (1) or (2). Once function is highlighted, press CONFIRM MENU button (4). The hour value starts flashing.

Press the button (1) to decrease hour by 1: 0, 11, .... 1, 0 for AM - 12, 11, .... 1, 12 for PM.

Press the button (2) to increase hour by 1: 11, 0, 1.... 11 for AM - 12, 1, .... 12 for PM.

Once you reach the value to be set, press CONFIRM MENU button (4) and the set hour will stop flashing.

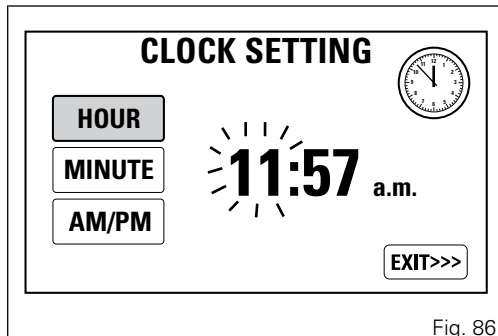


Fig. 86

## Setting the minutes

Select "MINUTE" option, by pressing button (1) or (2).

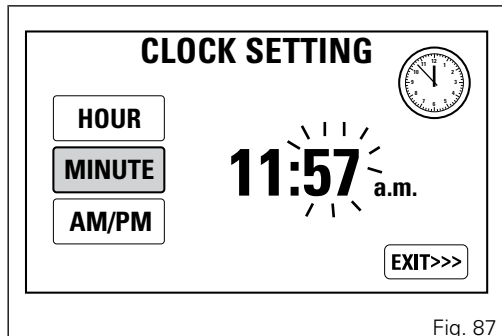
Once function is highlighted, press CONFIRM MENU button (4).

The minute value starts flashing.

Press button (1) to decrease minutes by 1: 59, 58, .... 00, 59.

Press button (2) to increase minutes by 1: 00, 01, .... 59, 00.

Once you reach the value to be set, press CONFIRM MENU button (4) and the set minutes will stop flashing.



## Setting am/pm

Select "AM/PM" option, by pressing button (1) or (2). Once function is highlighted, press CONFIRM MENU button (4).

The indication starts flashing.

Select AM or PM, by pressing button (1) or (2), respectively.

Once you reach the value to be set, press CONFIRM MENU button (4) and the setting will stop flashing. To exit the menu and go back to previous page, select EXIT and press button (4).



### Note

Every time the battery is disconnected, the clock is reset and must be set again by the user.

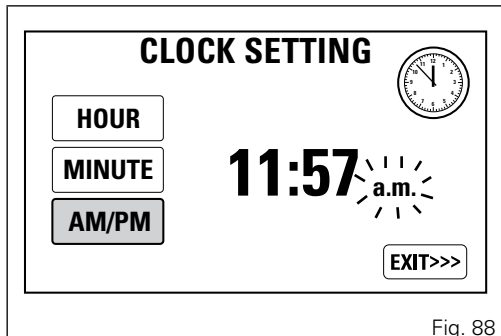


Fig. 88

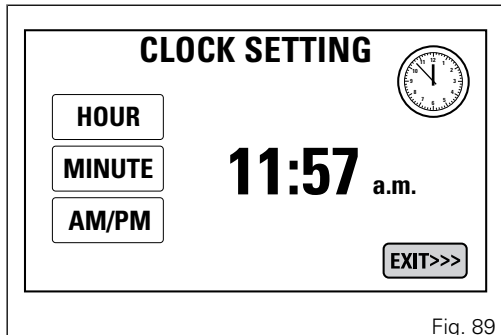


Fig. 89

## Setting the date

This function allows use to view and set/adjust the date.

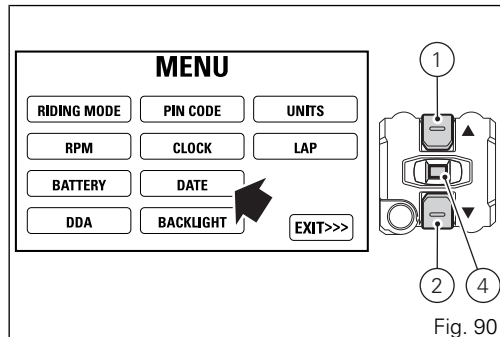
Enter the Setting MENU.

Select "DATE" option, by pressing button (1) or (2).

Once function is highlighted, press CONFIRM MENU button (4).

You open the "DATE SETTING" menu.

The first screen shows, on the left side, the available date setting: YEAR, MONTH, DAY, while the current date is displayed on the right side (e.g.: 2012/01/27).



## Setting the year

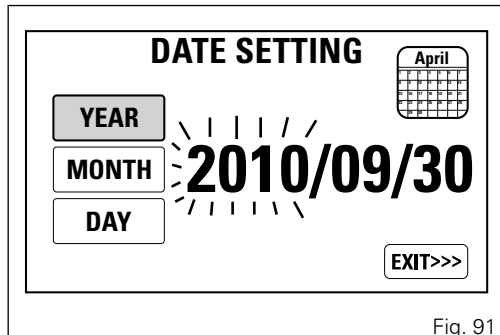
Select "YEAR" option, by pressing button (1) or (2). Once function is highlighted, press CONFIRM MENU button (4).

The year value starts flashing.

Press button (1) to decrease year value by 1: 2250, 2249, .... 2000, 2250.

Press button (2) to increase year value by 1: 2000, 2001, .... 2250, 2000.

Once you reach the value to be set, press CONFIRM MENU button (4) and the set year will stop flashing.





## Setting the month

Select "MONTH" option, by pressing button (1) or (2). Once function is highlighted, press CONFIRM MENU button (4).

The month value starts flashing.

Press button (1) to decrease month by 1: 12, 11, .... 01, 12.

Press button (2) to increase month by 1: 01, 02, .... 12, 01.

Once you reach the value to be set, press CONFIRM MENU button (4) and the set month will stop flashing.

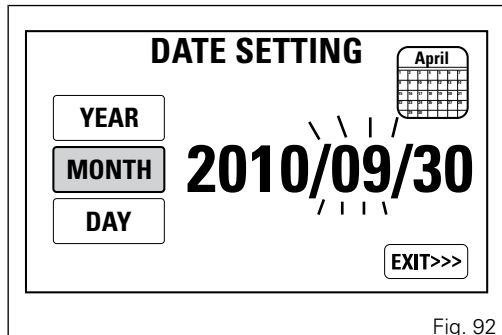


Fig. 92

## Setting the day

Select "DAY" option, by pressing button (1) or (2).  
Once function is highlighted, press CONFIRM MENU button (4).

The day value starts flashing.

Press button (1) to decrease day by 1: 31, 30, .... 01, 31.

Press button (2) to increase day by 1: 01, 02, .... 31, 01.

Once you reach the value to be set, press CONFIRM MENU button (4) and the set day will stop flashing.

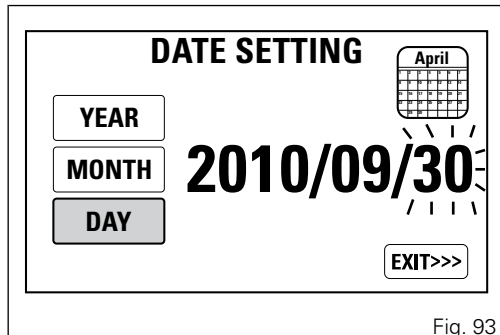


Fig. 93

To exit the menu and go back to previous page, select EXIT and press button (4).



### Note

Every time the battery is disconnected, the calendar is reset and must be set again by the user

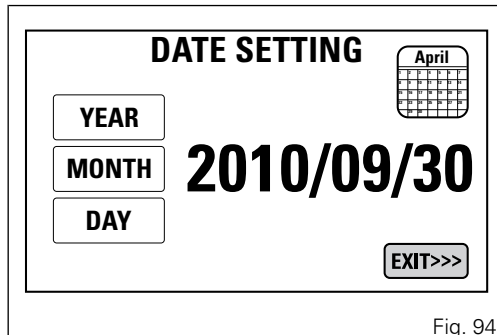


Fig. 94

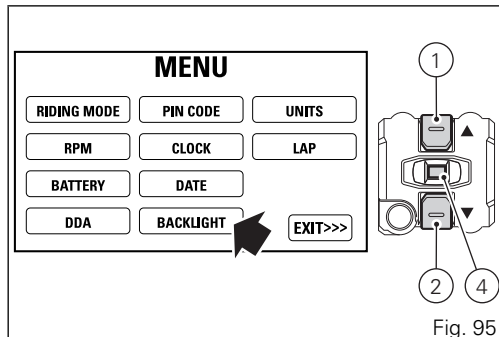
## Setting the display background

This function allows the user to choose the background of the instrument panel.

Enter the Setting MENU. Select "BACKLIGHT" option, by pressing button (1) or (2). Once function is highlighted, press CONFIRM MENU button (4).

You open the "BACKLIGHT" menu. When entering the function, the possible settings are shown on the left: DAY, NIGHT, AUTO, and the mode in use is highlighted.

Press buttons (1) and (2) to highlight the instrument panel backlighting options one by one: in particular, use button (1) to highlight the following item and button (2) to highlight the previous item. Once desired backlighting option is selected, press CONFIRM MENU button (4) to confirm. The instrument panel immediately activates the selected backlighting and highlights the corresponding option.



Selecting the DAY option you permanently activate the display “white” background to improve the readout view: recommended with strong external light.

Selecting the NIGHT option you permanently activate the display black background for a dimmed readout view: recommended with poor external light and/or darkness.

Selecting the AUTO option (automatic mode) the colour of the background is automatically adjusted according to the external lighting conditions (as detected by a sensor).

If the external lighting is strong, the display will switch to white background; if the external lighting is poor, the display will switch to black background.

To exit the menu and go back to previous page, select EXIT and press button (4).

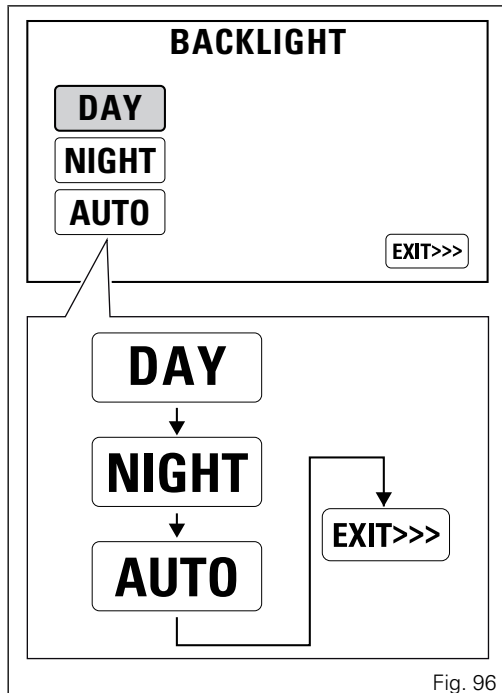
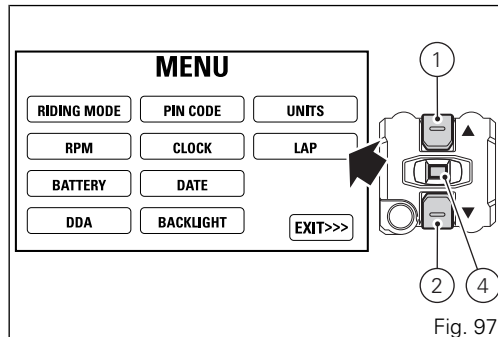


Fig. 96

## LAP

The LAPs previously stored using the “LAP Recording” function (function of MENU 1, ref. to page 74) can be viewed on the display. The information displayed is lap time, maximum rpm and top speed. Saved LAPs can also be deleted.



## Displaying the stored Laps

To view the stored LAPs, you must enter the Setting MENU.

Select "LAP" option, by pressing button (1) or (2). Once function is highlighted, press CONFIRM MENU button (4).

You open the "LAP DATA".

When you enter the function, the following is displayed:

- The message LAP followed by the number of the LAP (e.g.: LAP 01);
- TIME followed by the recorded lap time;
- SPEEDMAX followed by the top speed reached during the lap;
- RPMMAX followed by the maximum RPM value reached during the lap.

Press the buttons (1) and (2) to highlight stored LAPS one by one; in particular: use button (2) to view the next lap (laps are displayed in increasing order, i.e. LAP 01 ... LAP 02 ... LAP 03 ... LAP 30); and then highlight EXIT; use button (1) to view the previous lap (laps are displayed in decreasing order, i.e. LAP 30 ... LAP 29 ... LAP 28 ... LAP 01); and then highlight EXIT.

To exit the menu and go back to previous page, select EXIT and press button (4).



### Note

The MAX stored speed is reached during lap (increased by 5%).



### Note

If the memory is empty, the display shows the lap timer reading "-.-.-", MAX RPM = ---- and MAX speed = ----.

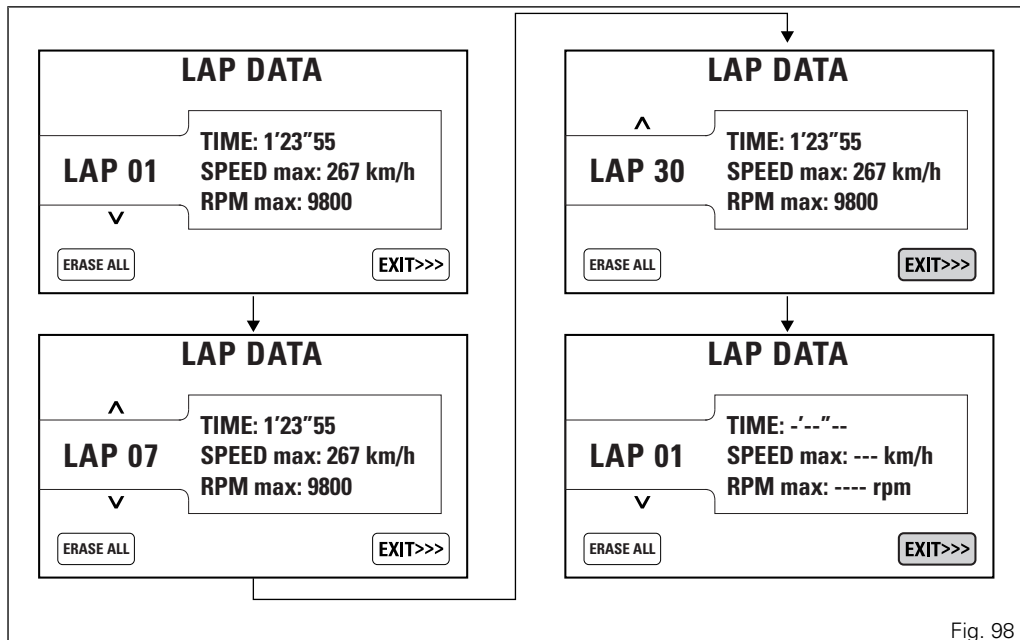


Fig. 98



## Erasing stored Laps

To delete the stored LAPs, you must enter the Setting MENU.

Select "LAP" option, by pressing button (1) or (2).

Once function is highlighted, press CONFIRM MENU button (4).

The display shows the "LAP DATA" Menu with the stored LAPs.

Press button (4) to highlight the message ERASE ALL.

User must confirm deletion by pressing button (4) for 3 seconds.

After 3 seconds, the instrument panel display shows:

- ERASE LAP PLEASE WAIT... for 3 seconds;
- ERASE OK for 2 seconds to inform about the result of the deletion process.

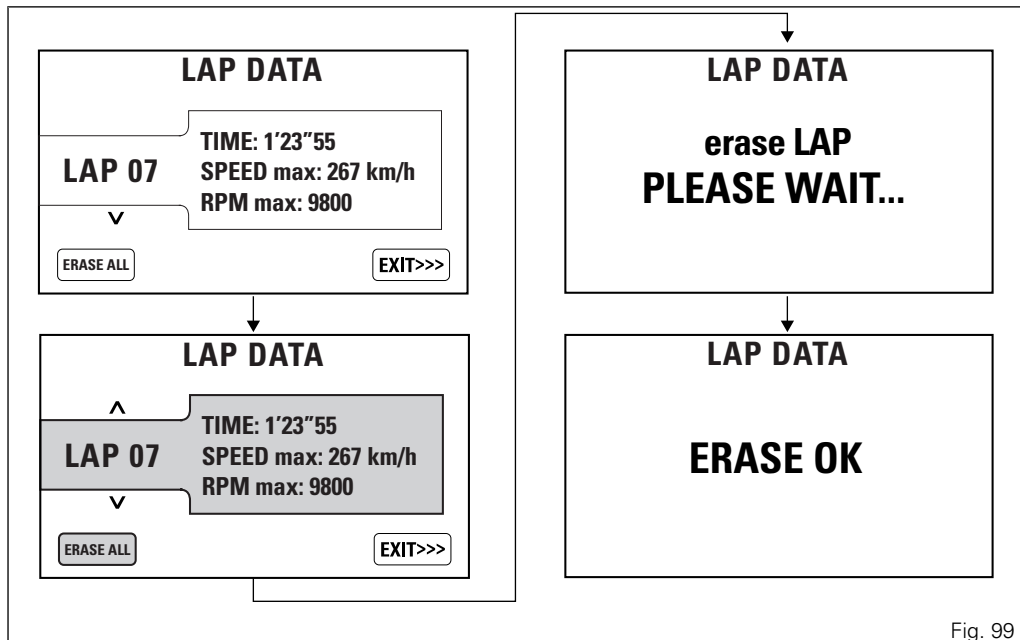


Fig. 99

Deletion is one single command that erases all stored laps.

After deletion, the Laps 01 to 30 are displayed with all parameters showing an indefinite value "-" (time = ' -' -' -' -, rpm = - - - - -, speed = - - - ).

To exit the menu and go back to previous page, select EXIT and press button (4).

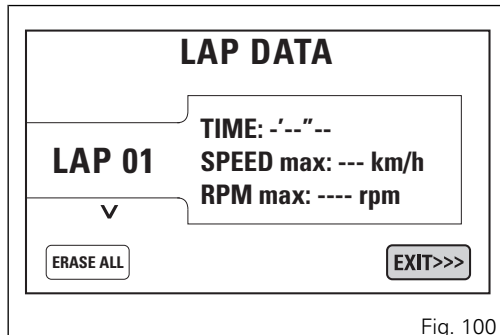


Fig. 100

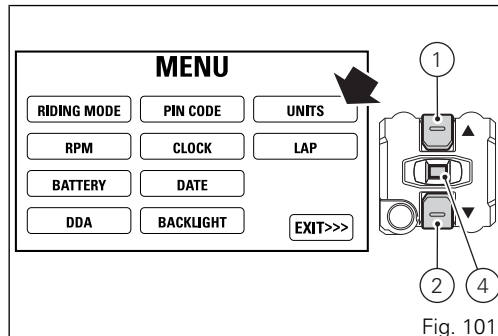
## Setting the unit of measurement

This function allows you to change the units of measurement of the displayed values, regardless of the Country configuration.

To manually set the units of measurement, you must enter the Setting MENU.

Select "UNITS" option, by pressing button (1) or (2). Once function is highlighted, press CONFIRM MENU button (4).

You open the "UNITS SETTING" menu.



When you enter the function, the list of items for which unit of measurement can be set is shown on the left:

- SPEED;
- TEMPERATURE;
- fuel CONSUMPTION;
- reset to automatic settings (DEFAULT).

To exit the menu and go back to previous page, select EXIT and press button (4).

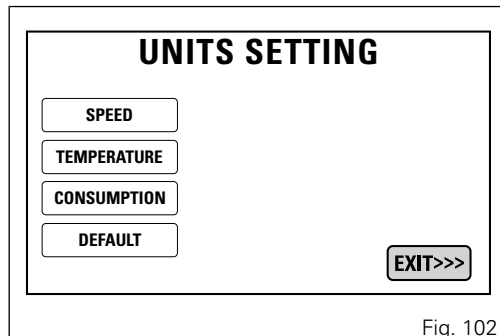


Fig. 102

## Setting the unit of measurement: Speed

This function allows to change the units of measurement of speed (and hence even the ones of distance travelled).

Open the "UNITS SETTING" menu, as described in the previous pages.

Select "SPEED" option, by pressing button (1) or (2). Once function is highlighted, press CONFIRM MENU button (4). You open the "SPEED" menu.

When you enter the function, the current unit of measurement is displayed, followed by the list of the possible units: km/h, mph.

Press buttons (1) and (2) to highlight the units of measurement one by one: in particular, use button (1) to highlight the following item and button (2) to highlight the previous item. Select the required unit of measurement and then press the CONFIRM MENU button (4) to confirm: the selected unit is stored and the EXIT option is highlighted.

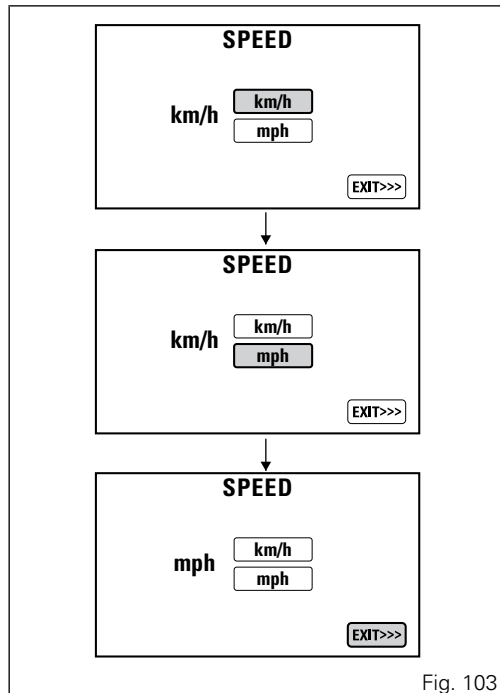


Fig. 103

The selected unit of measurement will be used by the instrument panel for the following indications:

- Vehicle speed and Average speed (km/h or mph);
- Odometer, Trip1, Trip2 and Trip Fuel (km or mi).

## Setting the unit of measurement: Temperature

This function allows you to change the units of measurement of the temperature.

Open the "UNITS SETTING" menu, as described in the previous pages.

Select "TEMPERATURE" option, by pressing button (1) or (2).

Once function is highlighted, press CONFIRM MENU button (4).

You open the "TEMPERATURE" menu. When you enter the function, the current unit of measurement is displayed, followed by the list of the possible units: °C, °F.

Press buttons (1) and (2) to highlight the units of measurement one by one: in particular, use button (1) to highlight the following item and button (2) to highlight the previous item. Select the required unit of measurement and then press the CONFIRM MENU button (4) to confirm: the selected unit is stored and the EXIT option is highlighted.

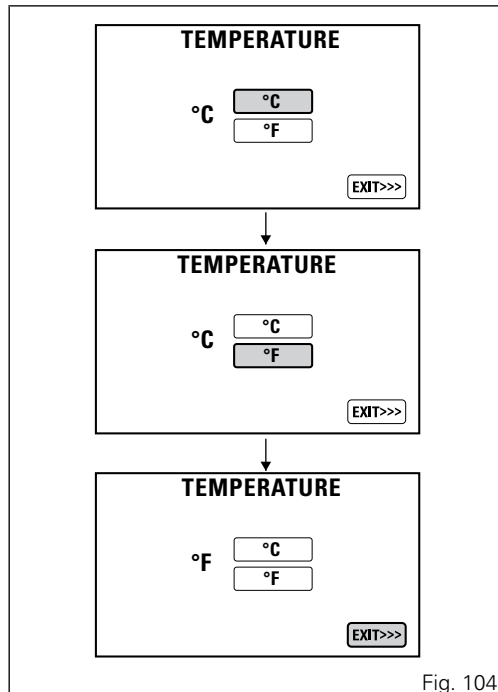


Fig. 104



The selected unit of measurement will be used by the instrument panel for the following indications:

- Engine coolant temperature and Ambient air temperature.

## Setting the unit of measurement: Fuel consumption

This function allows you to change the units of measurement of the fuel consumption.

Open the "UNITS SETTING" menu, as described in the previous pages.

Select "CONSUMPTION" option, by pressing button (1) or (2).

Once function is highlighted, press CONFIRM MENU button (4). You open the "CONSUMPTION" menu.

When you enter the function, the current unit of measurement is displayed, followed by the list of the possible units: L / 100km, km / L, mpg (UK), mpg (USA).

Press buttons (1) and (2) to highlight the units of measurement one by one: in particular, use button (1) to highlight the following item and button (2) to highlight the previous item.

Select the required unit of measurement and then press the CONFIRM MENU button (4) to confirm: the selected unit is stored and the EXIT option is highlighted.

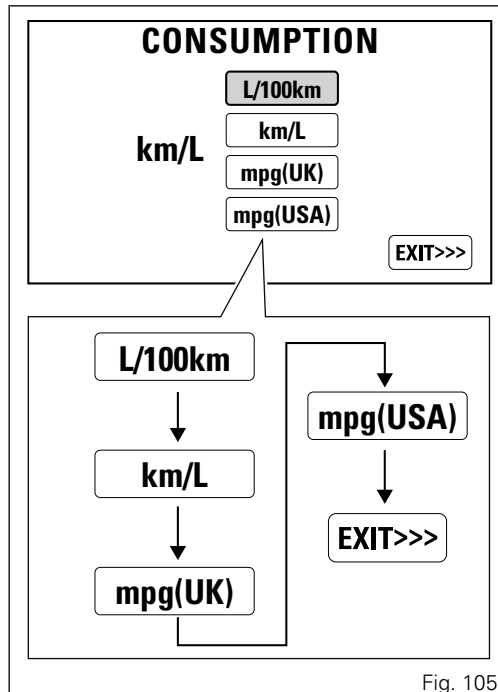


Fig. 105

The selected unit of measurement will be used by the instrument panel for the following indications:

- Instantaneous fuel consumption and Average fuel consumption.

## Setting the unit of measurement: Restore automatic settings

This function allows you to restore the automatic settings for the units of measurement of all indications displayed on the instrument panel.

Open the "UNITS SETTING" menu, as described in the previous pages. Select "DEFAULT" option, by pressing button (1) or (2).

Once function is highlighted, press CONFIRM MENU button (4) for 3 seconds. The display will read PLEASE WAIT... for 3 seconds, and then DEFAULT OK for 2 seconds, and at last the page of the UNITS SETTING menu will be displayed with the EXIT option highlighted.

To exit the menu and go back to previous page, select EXIT and press button (4).

Chart of the units of measurement

	<b>TOT TRIP1 TRIP2 TRIP FUEL</b>	<b>SPEED AVERAGE SPEED</b>	<b>T_ENGINE T_AIR</b>	<b>INSTANTANEOUS FUEL CONSUMP- TION AVERAGE FUEL CONSUMPTION</b>
Europe	km	km	°C	l/100km
UK	mi (miles)	mph	°C	mpg UK
USA	mi (miles)	mph	°F	mpg USA
Canada	km	km	°C	l/100km
France	km	km	°C	l/100km
Japan	km	km	°C	l/100km
Brazil	km	km	°C	l/100km
Taiwan	km	km	°C	l/100km
China	km	km	°C	l/100km

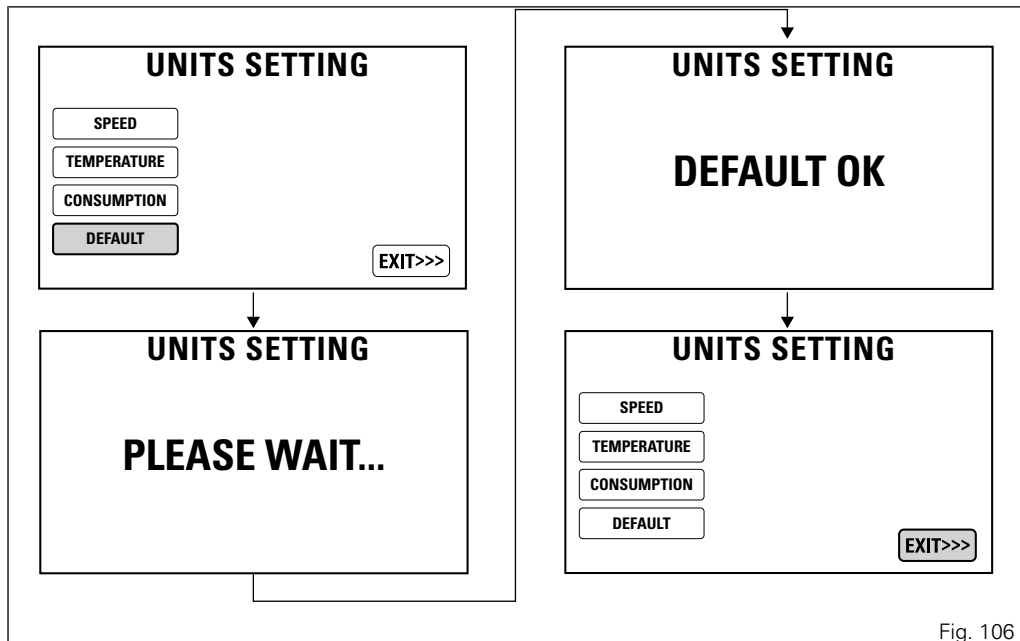


Fig. 106

## Display background colour

Display background colour can be set automatically according to exterior lighting conditions. When the BACKLIGHT – AUTO function is active, if the sensor detects “poor lighting” (night) the instrument panel switches to black background (NIGHT mode); vice-versa if a strong light is detected (day) the instrument panel switches to white background (DAY mode). This function can be customised through the Setting MENU: select the “BACKLIGHT” function and open the “BACKLIGHT” menu:

- set either NIGHT or DAY permanently, or
- set the AUTO mode.

Please refer to paragraph (“Setting the display background page 163”).

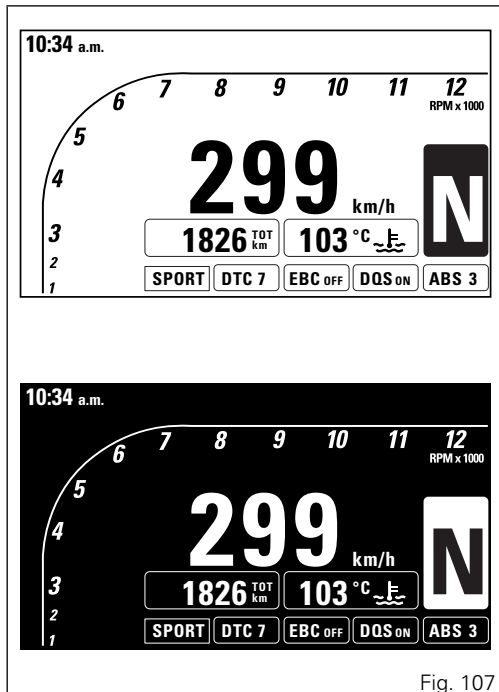


Fig. 107



## Note

If power is above 16 V, backlighting is disabled, while if power is below 8 V, backlighting is turned off.



## Light control

### Low / High beam

This function allows you to reduce current consumption from the battery, by managing headlight switching-on and off.

At Key-On, the high beam and low beam lights are OFF, only the parking lights are turned on.

Once the engine is started, the low beam is turned on; with engine running the standard operation of the lights is restored: it is possible to switch on and OFF the high beam using button (1) in position (A), or flash using button (1) in position (B). If the engine is not started after Key-ON, it is still possible to turn on the low/high beam by pressing button (1) in position (A) on the left switch; press it once to turn on the low beam; any further time you press it you switch between low and high beam.

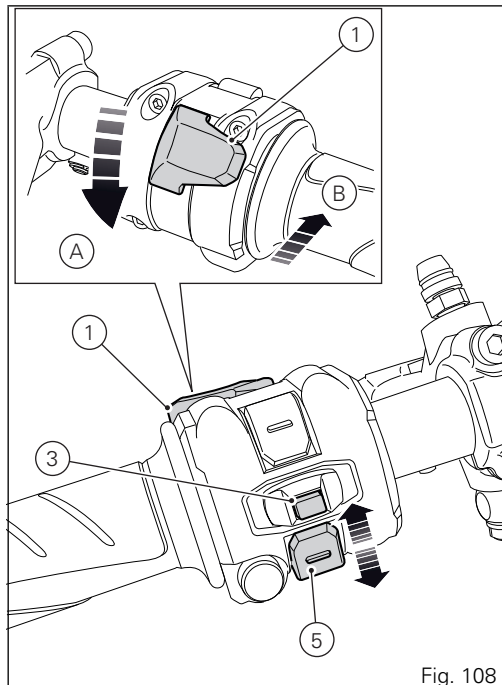


Fig. 108

If engine is not started within 60 seconds since the button was first pressed, the low and high beam lights are turned OFF.

If the low beam or high beam was turned on before starting the engine (with the procedure described above), the headlight turns off automatically when starting the engine and will turn ON again when the engine has been completely started.

### Turn indicators

Turn indicators are automatically reset by the instrument panel.

After activating one of the two turn indicators, user can reset them using the button (3, Fig. 108) on the left switch.

If the turn indicator is not reset manually, the instrument panel will automatically switch it off after the motorcycle has travelled 500 m (0.3 miles) from when the turn indicator was activated. The counter for the distance travelled for automatic deactivation is only activated at speeds below 80 km/h (50 mph).

If the calculation of the distance for automatic deactivation is activated and then the motorcycle exceeds a speed of 80 km/h (50 mph), the calculation is interrupted and will restart when the speed returns below the indicated threshold.

## Parking function

### Note

If there is a sudden interruption in the battery while the function is active, the instrument panel will disable the function when the voltage is restored.

The "Parking" function activates the front and rear parking lights when the motorcycle is turned off, so it is visible when parked. The function is activated by pressing the button (5, Fig. 108) for 3 seconds during the first 60 seconds after the motorcycle was turned off (after Key-Off).

Once the function is activated, the icon PARKING is displayed for 3 seconds and the lights stay ON as long as the battery voltage is (higher than or equal to) 12.2 V. If voltage is < (below) 12.7 V the lights turn off automatically in order to save battery charge.

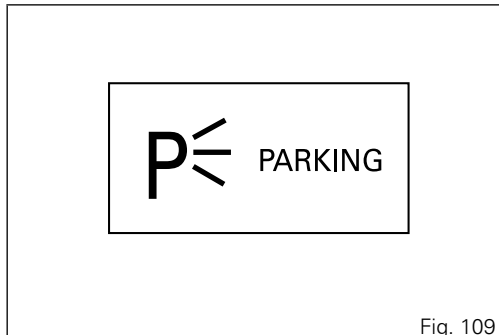


Fig. 109

To interrupt the function, turn the motorcycle ON and OFF (Key-On / Key-Off).



### Important

The frequent use of this function can considerably reduce the battery charge; it is recommended to use this function only when really necessary.

## Hazard function

The "Hazard" function turns all four turn indicators on at the same time to signal an emergency condition. The "Hazard" function is activated by taking button (3) to position (6) for 3 seconds. Activation is only possible when motorcycle is ON (i.e. when key is turned to "ON" while engine status does not matter). When the "Hazard" function is active, all four turn indicators blink at the same time as well as warning lights (7) on the instrument panel. The "Hazard" function can be disabled both with motorcycle on (key set to "ON") - by taking button (3) to position (6) or by taking button (3) to its central position - and with motorcycle off (key set to OFF) by taking button (3) to position (6).

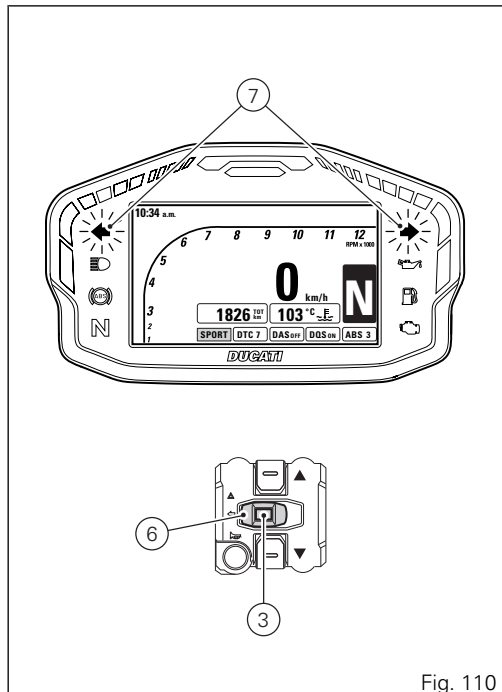


Fig. 110

After activating the "Hazard" function, if motorcycle is switched OFF (key set to OFF), the function stays active until manually disabled by user or as long as battery voltage is (higher than or equal to) 12.2 V. When voltage drops < (below) 12.2 V the turn indicators switch OFF automatically in order to save battery charge.



#### Note

If user performs a Key-ON while the "Hazard" function is still active, the function will remain ON (temporary turn indicator control interruption is allowed during the instrument panel initial check routine).



#### Note

If there is a sudden interruption in the battery while the function is active, the instrument panel will disable the function when the voltage is restored.



#### Note

The "Hazard" function has higher priority compared to normal operation of the single turn indicators, this means that, as long as it is active, it will not be possible to activate the single right or left turn indicators.

## The Immobilizer system

For improved antitheft protection, the motorcycle is equipped with an IMMOBILIZER, an electronic system that inhibits engine operation whenever the ignition switch is turned off.

Accommodated in the handgrip of each ignition key is an electronic device that modulates an output signal. When the ignition is turned on this signal is generated by a special antenna incorporated in the switch and changes every time.

The modulated signal represents the “password” (which is changed at each start-up) by which the ECU recognizes the ignition key. The ECU will only allow the engine to start if it recognises this password.

## Keys

The owner receives 2 keys with the vehicle.

These keys contain the "immobilizer system code".

The keys (B) are regular ignition keys and are used to:

- start up the engine;
- open the fuel tank filler plug;
- open the seat lock.



### Warning

Keep the 2 keys separate and use only one of them to start the motorcycle.

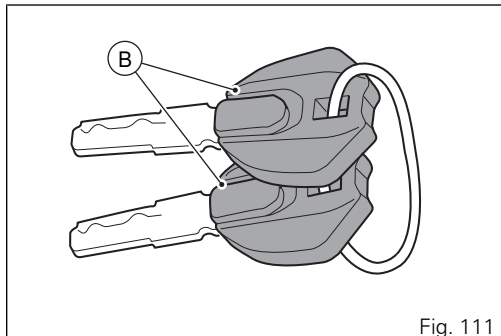


Fig. 111

## Operation

When the ignition key is turned to OFF, the immobilizer inhibits engine operation.

If the other key does not work out either, contact the Ducati Service network.



### Warning

Any important shock might damage the electronic components fitted into the key. Use only one key during the procedure. Using different keys could prevent the system from recognising the code in the key.



## Duplicate keys

If you need any duplicate keys, contact the Ducati Service network with all the keys you have left.

The Ducati Service Centre will program all the new keys as well as any keys you already have.

You may be asked to provide proof that you are the legitimate owner of the motorcycle.

The codes of any keys not submitted will be wiped off from the memory to make those keys unserviceable in case they have been lost.



### Note

If you sell your motorcycle, do not forget to give all keys to the new owner.

## Vehicle release through PIN CODE

In case of key acknowledgement system or key malfunction, the instrument panel allows the user to enter his/her own PIN code to temporarily restore vehicle operation. If the PIN CODE function is not active, the instrument panel does not activate the page for entering the code, but shows the Standard Screen instead, triggers the E-Lock error to inform the user that there is a problem with key reading/ acknowledgement and disables the opportunity to enter the Setting MENU. The E-Lock error warning must be active until key-off.

If the PIN CODE function is active, the instrument panel activates the page for entering the code and displays the request INSERT PIN CODE with a string of four dashes below it " - - - - " highlighted in green.

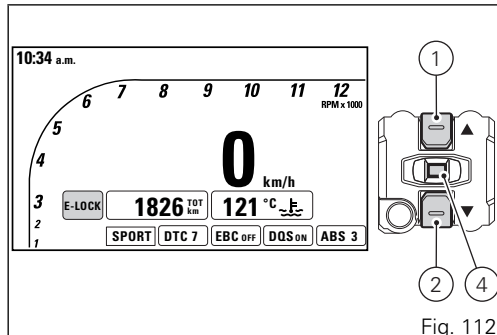


Fig. 112

Entering the code:

- 1) Press button (4), one digit is highlighted in green, indicating "0";
- 2) Each time you press the button (2) the displayed number increases by one (+ 1) up to "9" and then starts back from "0";
- 3) Each time you press the button A (1) the displayed number decreases by one (- 1) up to "1" and then starts back from "0";
- 4) To confirm the number, press the button (4).

Repeat the procedures until you confirm all the 4 digits of the PIN CODE.

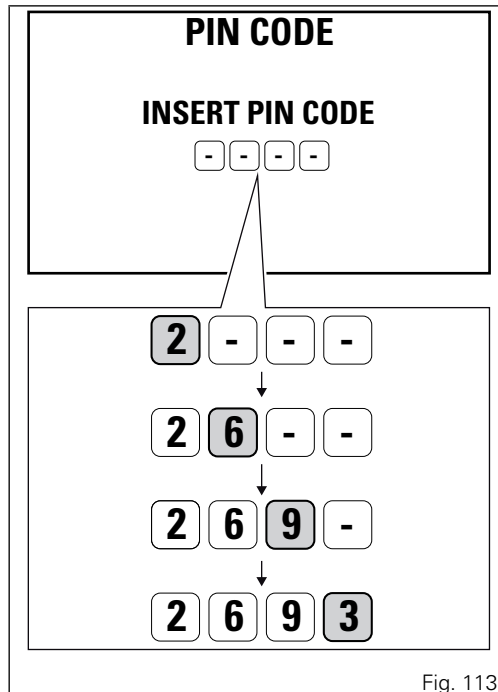


Fig. 113

When you press button (4) to confirm the fourth and last digit

- if the PIN is not correct, the instrument panel displays **WRONG** for 3 seconds and then highlights the string of four dashes “----” to allow you to try again. The number of possible attempts is determined by a preset time-out of 2 minutes. After this time, the instrument panel shows the Standard Screen, triggers the E-Lock error and disables the opportunity to enter the Setting Menu.
- if there is a problem during the PIN CODE check, the instrument panel displays **ERROR** for 3 seconds and then responds in the same way as for the **WRONG** error.
- if the PIN code is correct, the instrument panel displays **CORRECT** for 3 seconds and then shows the “standard screen” and triggers the E-Lock error to still show the user that there is a problem with key reading/acknowledgement.

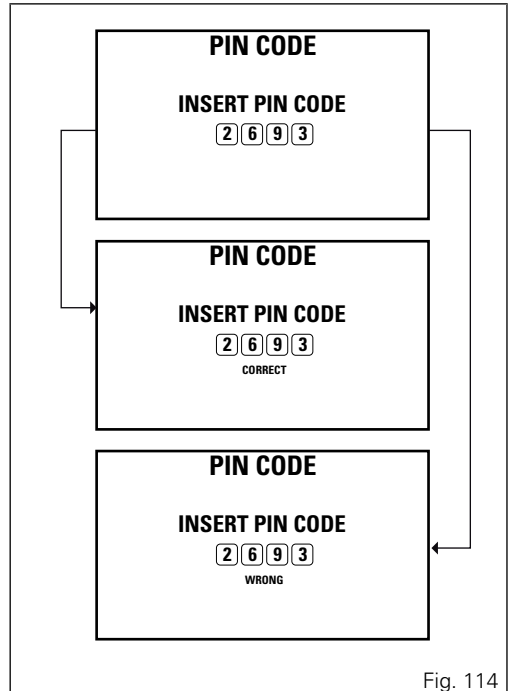


Fig. 114




## Important

If this procedure is necessary in order to start the motorcycle, contact an Authorised Ducati Service Centre as soon as possible to fix the problem.

# Controls

## Position of motorcycle controls

 **Warning**  
This section shows the position and function of the controls used to ride the motorcycle. Be sure to read this information carefully before you use the controls.

- 1) Instrument panel.
- 2) Key-operated ignition switch and steering lock.
- 3) Left switch.
- 4) Clutch lever.
- 5) Right switch.
- 6) Throttle twistgrip.
- 7) Front brake lever.
- 8) Rear brake pedal.
- 9) Gear change pedal.

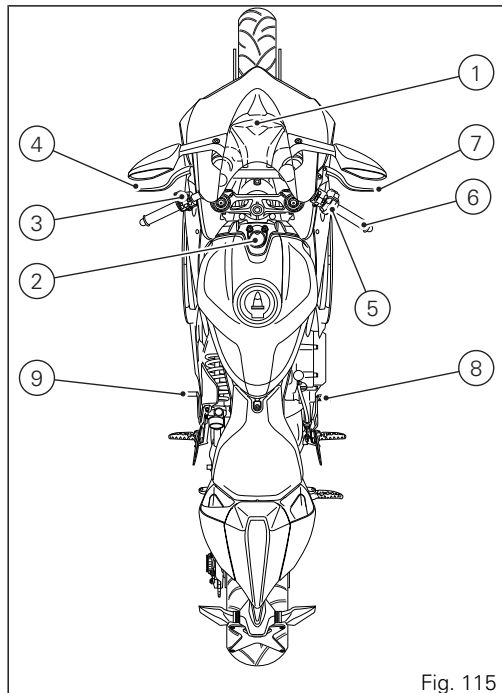


Fig. 115

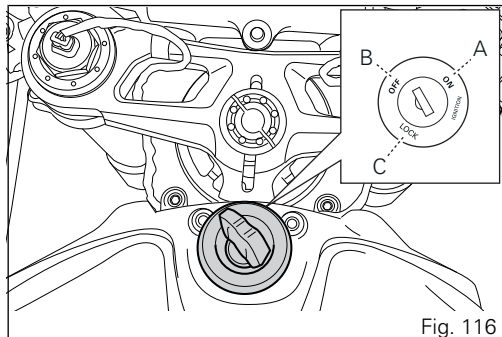
## Ignition switch and steering lock

It is located in front of the fuel tank and has three positions:



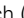


- A) ON: enables lights and engine operation;
- B) OFF: disables lights and engine operation;
- C) LOCK: the steering is locked.

### Note

To move the key to the last position, press it down before turning it. The key can be removed in positions (B) and (C).



## Left-hand switch

- 1) Dip switch, two-position light selector switch:  
(A) every time it is pressed down the light switches from low beam on (  ) to low beam and high beam on;  
(B) pushed to the side (  ) high beam flasher (FLASH), "Start-Stop lap" function.
- 2) 3-position turn indicator switch (  ):  
centre position = off;  
position (  ) = left turn;
- 3) Turn indicator off, "Riding mode" activation and menu navigation button.
- 4) Button (  ) = warning horn.
- 5) Navigation menu, display scroll and TRIP1 and TRIP2 reset button.
- 6) Navigation menu, display scroll button.

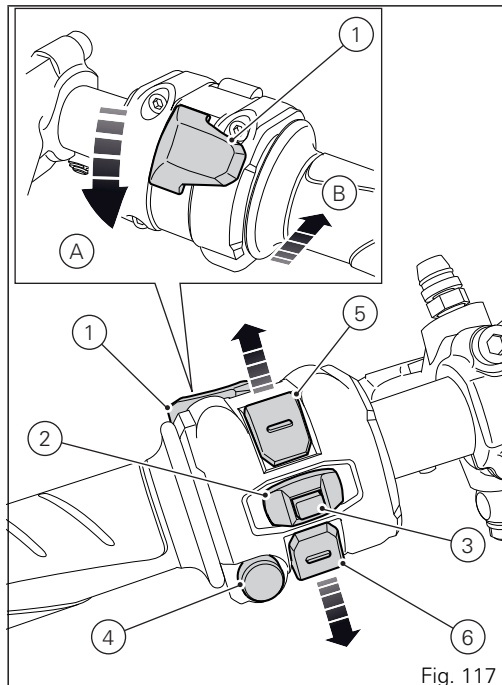


Fig. 117



## Clutch lever

Lever (1) disengages the clutch. It features a dial adjuster (2) for lever distance from the twistgrip on handlebar. The lever distance can be adjusted through 10 clicks of the dial (2). Turn clockwise to increase lever distance from the twistgrip. Turn the adjuster counter clockwise to decrease lever distance. When the clutch lever (1) is operated, drive from the engine to the gearbox and the drive wheel is disengaged. Using the clutch properly is essential to smooth riding, especially when moving off.

### Warning

Set clutch lever when motorcycle is stopped.

### Important

Using the clutch properly will avoid damage to transmission parts and spare the engine.

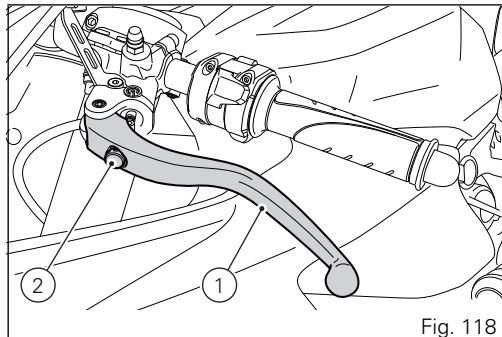


Fig. 118

### Note

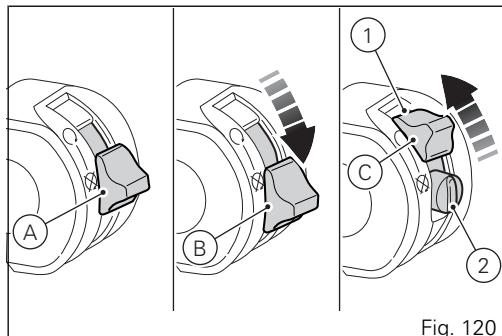
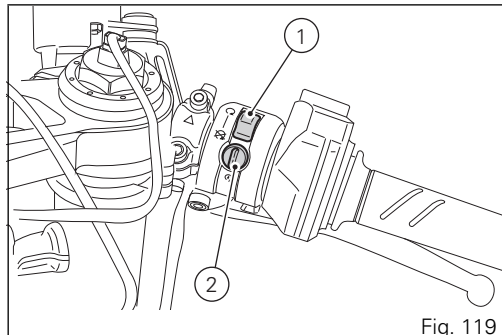
The engine can be started with the side stand down and the gearbox in neutral. If starting with a gear engaged, pull in the clutch lever (in this case the side stand must be up).

## Right-hand switch

- 1) Red ON/OFF switch.
- 2) Black ENGINE START button.

The switch (1) has three positions:

- A) centre: RUN OFF. In this position, the engine cannot be started and all electronic devices are off.
- B) pushed down: ON/OFF. In this position, the system can be turned on (Key-On) and off (Key-Off).
- C) pushed up: RUN ON. The engine can only be started in this position, pushing the black button (2).



## Throttle twistgrip

The twistgrip (1) on the right handlebar opens the throttles.

When released, it will spring back to the initial position (idling speed).

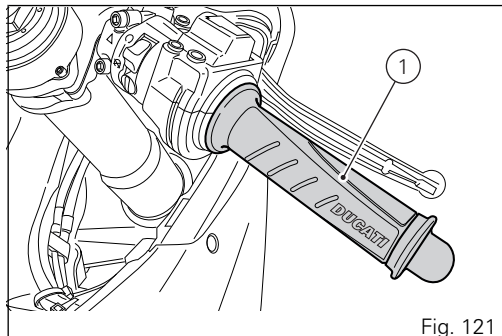


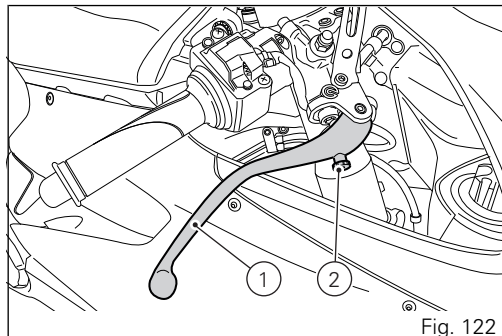
Fig. 121

## Front brake lever

Pull in the lever (1) towards the twistgrip to operate the front brake. The system is hydraulically operated and you just need to pull the lever gently.

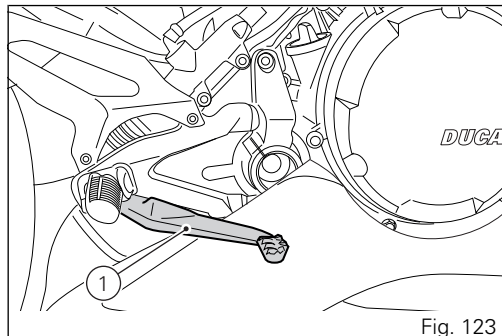
The brake lever (1) has a dial (2) for adjusting the distance between lever and twistgrip on the handlebar.

The lever distance can be adjusted through 10 clicks of the dial (2). Turn clockwise to increase lever distance from the twistgrip. Turn the adjuster counter clockwise to decrease lever distance.



## Rear brake pedal

Push down on the pedal (1) to apply the rear brake.  
The system is hydraulically operated.



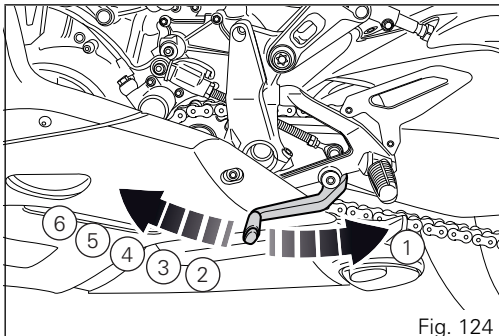
## Gear change pedal

When released, the gear change pedal (1) automatically returns to rest position N in the centre. This is indicated by the instrument panel N light coming on.

The pedal can be moved:

- down = press down the pedal to engage the 1<sup>st</sup> gear and to shift down. The N light on the instrument panel will go out;
- upwards= lift the pedal to engage 2<sup>nd</sup> gear and then 3<sup>rd</sup>, 4<sup>th</sup>, 5<sup>th</sup> and 6<sup>th</sup> gears.

Each time you move the pedal you will engage the next gear.



## Adjusting the position of the gearchange and rear brake pedals

The position of the gearchange and rear brake pedals in relation to the footrests can be adjusted to suit the requirements of the rider.

Adjust the pedals as follows:

### Gear change pedal

hold the linkage (1) and slacken the lock nuts (2) and (3).

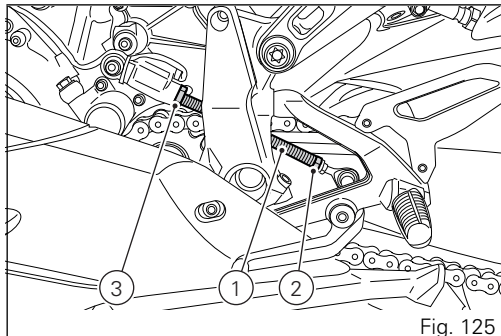


### Note

Nut (3) features a right-hand threading.

Fit an open-end wrench to hexagonal element of linkage (1) and rotate until setting pedal in the desired position.

Tighten both check nuts onto linkage.



## Rear brake pedal

Loosen counter nut (7).

Turn pedal stroke adjusting screw (6) until pedal is in the desired position. Tighten the counter nut (7).

Operate the pedal (8) by hand to check that there is 1.5 to 2 mm of freeplay before the brake bites.

If not, adjust the length of the master cylinder pushrod.



### Warning

Have the pedal adjusted at a Ducati Dealer or authorised Service Centre.

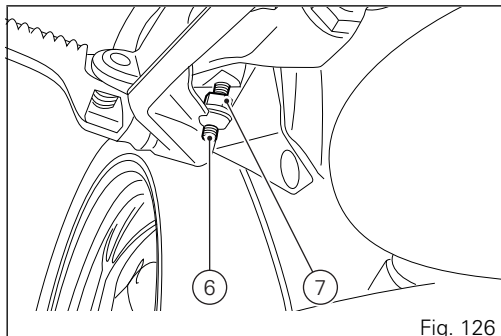


Fig. 126

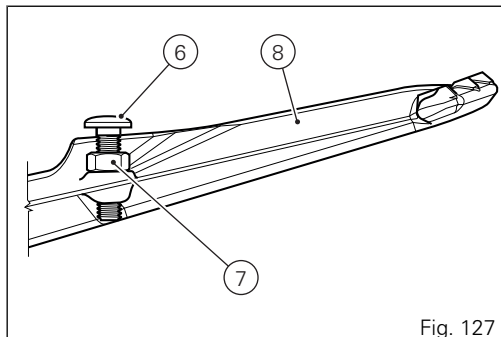


Fig. 127



# Main components and devices

## Position on the vehicle

- 1) Tank filler plug.
- 2) Seat lock.
- 3) Side stand.
- 4) Rear-view mirrors.
- 5) Front fork adjusters.
- 6) Rear shock absorber adjusters.
- 8) Catalytic converter (both sides).
- 9) Exhaust silencer (both sides).

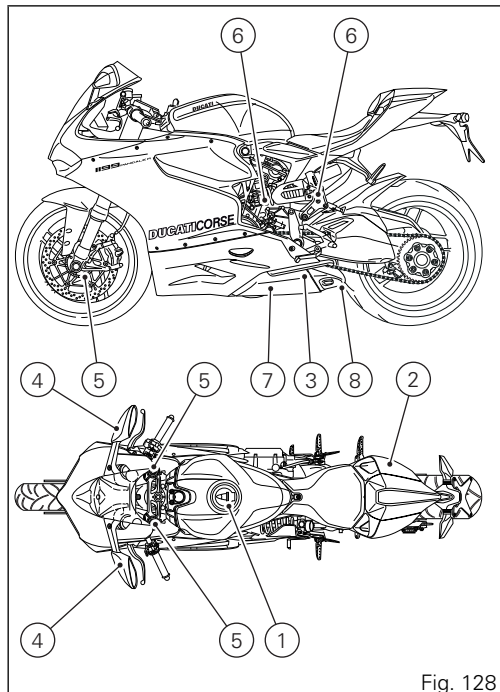


Fig. 128

## Tank filler plug

### Opening

Lift the protection lid (1) and fit the ignition key into the lock. Turn the key clockwise 1/4 turn to unlock. Lift the plug (2).

### Closing

Refit the plug (2) with the key in it and push it down into its seat. Remove the key and replace the lock cover (1).



### Note

Plug can only be closed when key is inserted.



### Warning

After refuelling, always make sure that the plug is perfectly in place and closed.

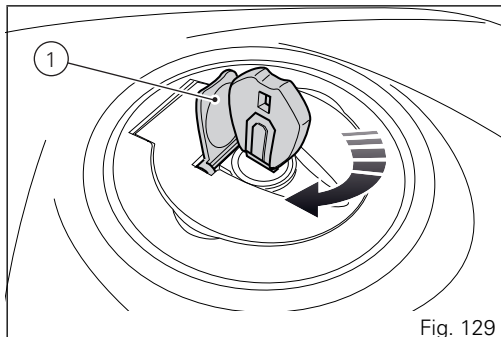


Fig. 129

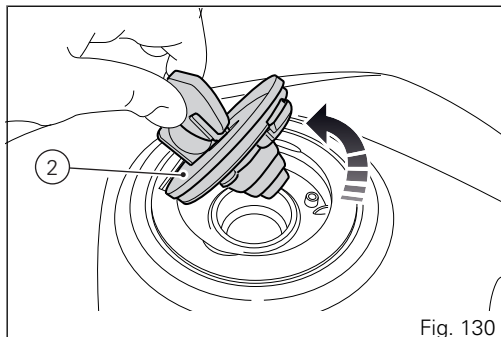


Fig. 130

## Seat lock

### Opening

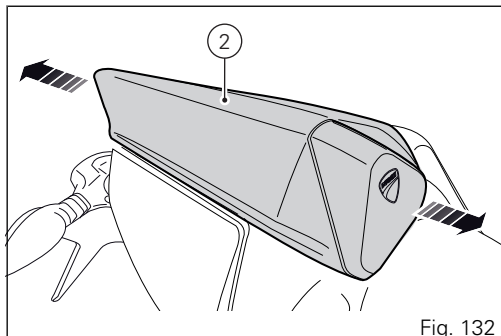
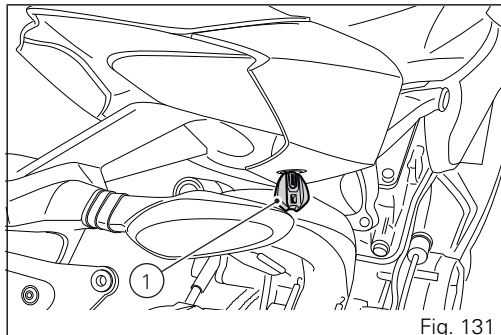
Insert the key into the seat lock (1) and turn it until the seat cover (2) catch disengages with an audible click. Pull the seat cover (2) towards the front end of the motorcycle until releasing it.

### Closing

Insert the seat cover (2) from the side and push it towards the rear end of the motorcycle until fully home.

### Warning

To close the seat cover insert it from the motorcycle side and slide it towards the rear side until hearing the engagement click.



## Side stand

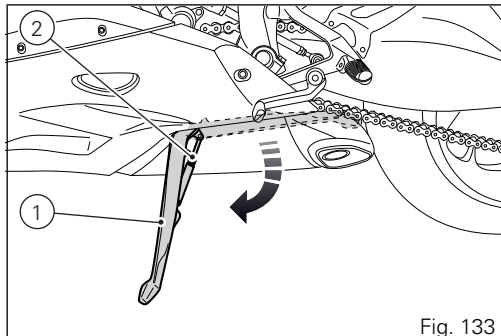
### Important

Place the motorcycle on the side stand only when you are not going to use it for short periods of time. Before lowering the side stand, make sure that the bearing surface is hard and flat.

Do not park on soft or pebbled ground or on asphalt melt by the sun heat and similar or the motorcycle may fall over. When parking in downhill road tracts, always park the motorcycle with its rear wheel facing downhill.

To pull down the side stand, hold the motorcycle handlebars with both hands and push down on the side stand (1) with your foot until it is fully extended. Tilt the motorcycle until the side stand is resting on the ground.

To move the side stand to its rest position (horizontal position), lean the motorcycle to the right while lifting the thrust arm (1) with your foot.



### Warning

Do not sit on the motorcycle when it is supported on the side stand.

### Note

Check for proper operation of the stand mechanism (two springs, one into the other) and the safety sensor (2) at regular intervals.



## Note

The engine can be started with the side stand down and the gearbox in neutral. If starting with a gear engaged, pull in the clutch lever (in this case the side stand must be up).

## Steering damper

It is located before the handlebar and is secured to the steering head.

It provides stable and accurate steering, improving the motorcycle's handling response under any conditions.

If you turn the knob (1) clockwise the steering will be harder, while if you turn it counter clockwise the steering will be softer. Every setting is identified by a "click": set to maximum 10 clicks.



### Warning

Never try to adjust knob (1) position while riding or you could lose control of the vehicle.

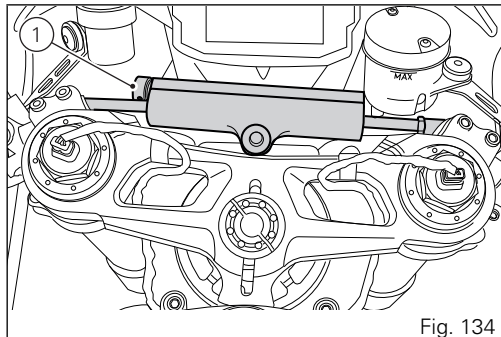


Fig. 134

## Adjusting the front fork

The front fork used on this motorcycle has rebound, compression and spring preload adjustment.

The fork is adjusted for rebound and compression by electric impulses sent by the instrument panel to the adjusters inside the fork legs; the spring preload is adjusted manually.



### Warning

Have the spring preload adjusted at a Ducati Dealer or authorised Service Centre.

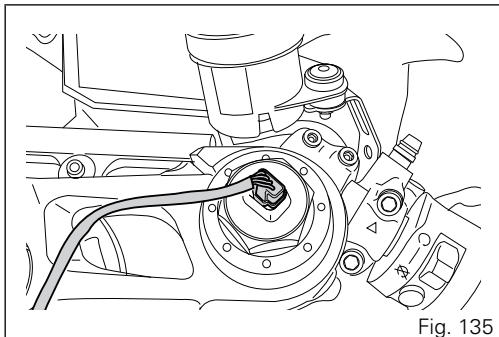
For fork adjustment, follow the description on page page 116.

Front fork factory settings:

rebound: 10 clicks;

compression: 8 clicks;

spring preload: 8 mm.



## Adjusting the rear shock absorber

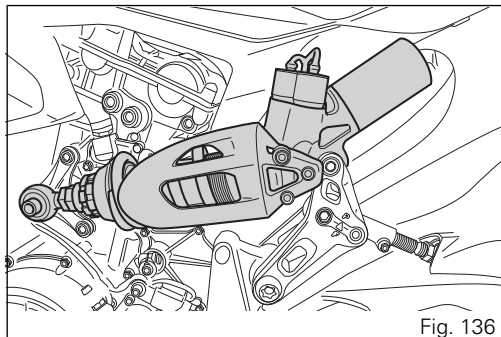
The rear shock absorber has commands that enable you to adjust the setting to suit the load on the motorcycle.

### Warning

The shock absorber is filled with gas under pressure and may cause severe damage if taken apart by unskilled persons.

When carrying a passenger and luggage, set the rear shock absorber spring to proper preload to improve motorcycle handling and keep safe clearance from the ground (turn ring nuts to set spring preload). You may find that rebound damping needs adjusting as well.

The shock absorber is adjusted by electric impulses sent by the instrument panel to the adjusters inside the shock absorber body.



For shock absorber adjustment, follow the description on page page 116.

Rear shock absorber factory settings:

rebound: 10 clicks;

compression: 10 clicks;

spring preload: 23 mm.



## Motorcycle setting adjustment

Motorcycle setup is the result of tests carried out under different riding conditions by our technical staff.

Modifying factory setting is a very delicate operation, which may lead to serious damages if carried out by unskilled people.

The rider can modify setup according to his/her needs by changing working position of the shock absorber.

### Warning

Have the track alignment set at a Ducati Dealer or authorised Service Centre.

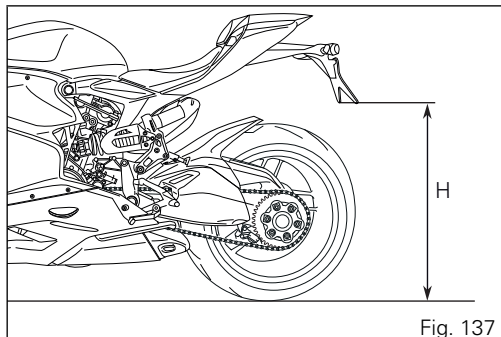


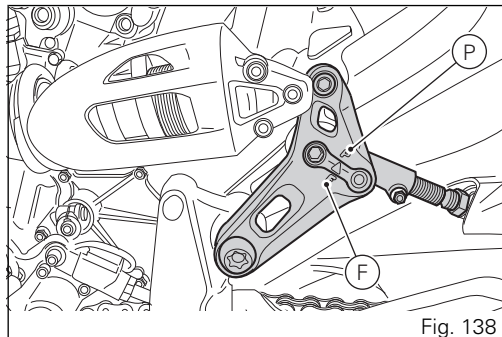
Fig. 137

### Warning

Using the vehicle set to Flat (F) with a passenger on-board could result in vehicle instability. Ducati does not recommend to use the vehicle with rear suspension on FLAT (F) position and passenger on board.

### Important

The FLAT position (F) allows for different track alignment, as on the racing versions. The PROGRESSIVE position (P) is recommended when two-ups.



When using the motorcycle on the track it is also possible to adjust the swinging arm pivot (for a total of 6 mm, in 4 fixed positions: +2 mm, 0 mm, -2 mm and -4 mm) so as to adapt the motorcycle handling to the rider's personal needs and riding style.

When motorcycle is delivered, the pivot is adjusted to 0 mm which is the standard set-up: such a setting has proved to be the best one for vehicle handling in road use.

### Warning

The pivot adjustment must be carried out at an authorised Ducati Service Centre since it involves operations to be carried out on the vehicle SAFETY devices.

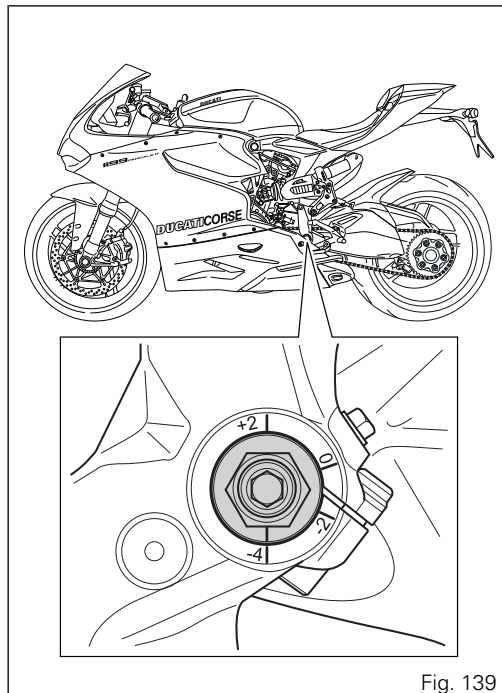


Fig. 139

# Riding the motorcycle

## Running-in recommendations

### Maximum rotation speed

Rotation speed for running-in period and during standard use (rpm):

- 1) up to 1,000 km;
- 2) from 1,000 to 2,500 km.

### Up to 1,000 km

During the first 1000 km, keep an eye on the rev counter. It should never exceed: 5,500÷ (included) 6,000 rpm.

During the first hours of riding, it is advisable to run the engine at varying load and rpm, though still within recommended limit.

Strict observance of running-in recommendations will ensure longer engine life and reduce the likelihood of overhauls and tune-ups.

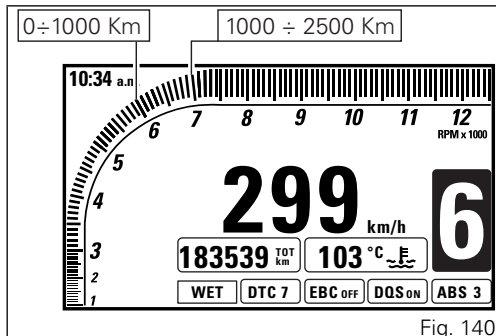


Fig. 140



## Important

During the first 1000 km (running-in period), i.e. when the Odometer displays a value  $\leq$  (lower than or equal to) 1000 km, the pre-warning area, indicated in orange (orange area), both for the bargraph filling and the display of the relevant number, is displayed when reaching 6000 rpm. During the running-in period we recommend not to exceed 6000 rpm, thus the instrument panel will not display the bargraph "Orange area".

To this end, roads with plenty of bends and even slightly hilly areas are ideal for a most efficient running-in of engine, brakes and suspensions. For the first 100 km use the brakes gently. Avoid sudden or prolonged braking. This will allow the friction material on the brake pads to bed in against the brake discs. For all mechanical parts of the motorcycle to adapt to one another and above all not to adversely affect the life of basic engine parts, it is advisable to avoid harsh accelerations and not to run the engine at high rpm for too long, especially uphill. Furthermore, the drive chain should be inspected frequently. Lubricate as required.

From 1,000 to 2,500 km

At this point, you can squeeze some more power out of your engine. However never exceed 7,000 rpm.

### Important

During the whole running-in period, the maintenance and service rules recommended in the Warranty Card should be observed carefully. Failure to follow these instructions releases Ducati Motor Holding S.p.A. from any liability whatsoever for any engine damage or shorter engine life.

Strict observance of running-in recommendations will ensure longer engine life and reduce the likelihood of overhauls and tune-ups.

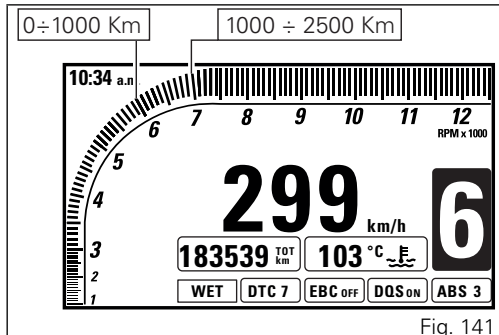


Fig. 141

## Pre-ride checks



### Warning

Failure to carry out these checks before riding, may lead to motorcycle damage and injury to rider and passenger.

Before riding, perform a thorough check-up on your bike as follows:

- FUEL LEVEL IN THE TANK  
Check the fuel level in the tank. Fill tank if needed (page 230).
- ENGINE OIL LEVEL  
Check oil level in the sump through the sight glass. Fill tank if needed (page 255).
- BRAKE AND CLUTCH FLUID  
Check fluid level in the relevant reservoirs (page 239).
- COOLANT  
Check coolant level in the expansion reservoir. Top up if needed (page 237).
- TYRE CONDITION  
Check tyre pressure and condition (page 253).

- CONTROLS  
Work the brake, clutch, throttle and gear change controls (levers, pedals and twistgrip) and check for proper operation.
- LIGHTS AND INDICATORS  
Make sure lights, indicators and horn work properly. Replace any burnt-out bulbs (page 249).
- KEY LOCKS  
Ensure that tank filler plug (page 209) and seat (page 210) are properly locked.
- SIDE STAND  
Make sure side stand operates smoothly and is in the correct position (page 211).

## ABS light

After Key-On, the ABS light (9) stays on.

When the vehicle speed exceeds 5 km/h, the warning light switches off to indicate the correct operation of the ABS system.



### Warning

In case of malfunction, do not ride the motorcycle and contact a Ducati Dealer or authorised Service Centre.



## ABS device

Check that the front (1) and rear (2) phonic wheels are clean.



### Warning

Clogged reading slots would compromise system proper operation. It is recommended to disable ABS system in case of muddy road surface because under this condition the system might be subject to sudden failure.



### Warning

Prolonged rearing could deactivate the ABS system.

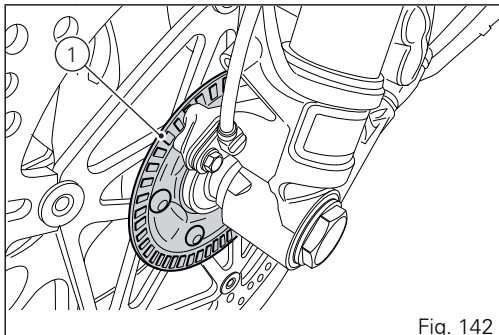


Fig. 142

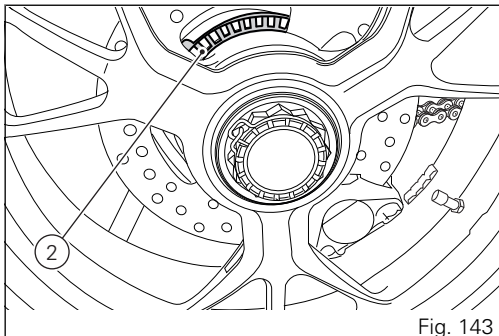


Fig. 143


## Starting the engine

### Warning

Before starting the engine, become familiar with the controls you will need to use when riding.

### Warning

Never start or run the engine indoors. Exhaust gases are poisonous and may lead to loss of consciousness or even death within a short time.

Move the ignition key to ON. Make sure both the green light (1) and the red light  (2) on the instrument panel come on.

### Important

The oil pressure light should go out a few seconds after the engine has started.

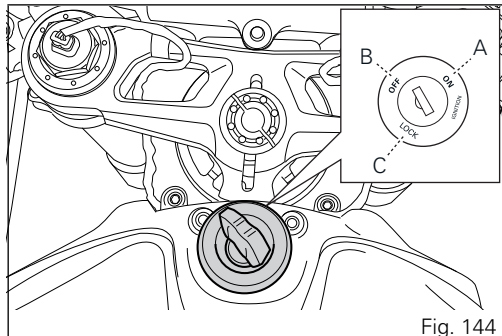


Fig. 144

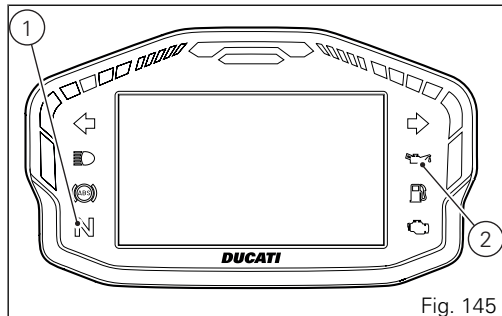


Fig. 145



### Warning

The side stand must be fully up (in a horizontal position) as its safety sensor prevents engine start when down.



### Note

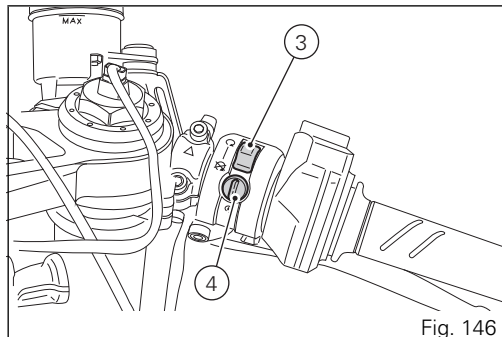
It is possible to start the engine with side stand down and the gearbox in neutral. When starting the motorcycle with a gear engaged, pull the clutch lever (in this case the side stand must be up).



### Important

Do not rev up the engine when it is cold. Allow some time for oil to be heated and reach all points that need lubricating.

Check that the stop switch (3) is positioned to RUN, then press the starter button (4).



## Moving off

- 1) Disengage the clutch by squeezing the clutch lever.
- 2) Push down the gear change lever firmly with the tip of your foot to engage first gear.
- 3) Raise the engine revs by turning the throttle twistgrip while gradually releasing the clutch lever. The motorcycle will start moving off.
- 4) Release the clutch lever completely and accelerate.
- 5) To shift up, close the throttle to slow down engine, disengage the clutch, lift the gear change lever and release the clutch lever. To shift down, proceed as follows: release the twistgrip, pull the clutch lever, shortly speed up to help gears synchronise, shift down (engage next lower gear) and release the clutch.

The controls should be used correctly and timely: when riding uphill do not hesitate to shift down as soon as the motorcycle tends to slow down, so you will avoid stressing the engine and the motorcycle abnormally.



## Warning

Avoid harsh accelerations, as this may lead to misfiring and transmission snatching. The clutch lever should not be held in longer than necessary after a gear is engaged, otherwise friction parts may overheat and wear out.



## Warning

Prolonged rearing could deactivate the ABS system.

## Braking

Slow down in time, shift down to engine-brake first and then brake applying both brakes. Pull the clutch lever before stopping the motorcycle, to avoid sudden engine stop.

## ABS system

Using the brakes correctly under adverse conditions is the hardest – and yet the most critical - skill to master for a rider. Braking is one of the most difficult and dangerous moments when riding a two wheeled vehicle: the possibility of falling or having an accident during this difficult moment is statistically higher than

any other moment. A locked front wheel leads to loss of traction and stability, resulting in loss of control. The Anti-Lock Brake System (ABS) has been developed to enable riders to use the vehicles braking force to the fullest possible amount in emergency braking or under poor pavement or adverse weather conditions.

ABS uses hydraulics and electronics to limit pressure in the brake circuit when a special sensor mounted to the wheel signals the electronic control unit that the wheel is about to lock up.

This avoids wheel lockup and preserves traction.

Pressure is raised back up immediately and the control unit keeps controlling the brake until the risk of a lockup disappears. Normally, the rider will perceive ABS operation as a harder feel or a pulsation of the brake lever and pedal.

The front and rear brakes use separate control systems, meaning that they operate independently. Likewise, the ABS is not an integral braking system and does not control both the front and rear brake at the same time.

If desired, the system can be deactivated from the instrument panel, using the “Customising Riding Modes: ABS setting page 113” function.



## Warning

When ABS is disabled, the motorcycle restores the standard brake system features; using the two brake controls separately reduces the motorcycle braking efficiency. Never use the brake controls harshly or suddenly as you may lock the wheels and lose control of the motorcycle. When riding in the rain or on slippery surfaces, braking will become less effective. Always use the brakes very gently and carefully when riding under these conditions. Any sudden manoeuvres may lead to loss of control. When tackling long, high-gradient downhill road tracts, shift down gears to use engine braking. Apply one brake at a time and use brakes sparingly. Keeping the brakes applied all the time would cause the friction material to overheat and reduce braking power dangerously. Underinflated tyres reduce braking efficiency, handling accuracy and stability in a bend.

## Stopping the motorcycle

Reduce speed, shift down and release the throttle twistgrip. Shift down to engage first gear and then neutral.

Apply the brakes and bring the motorcycle to a complete stop.

To switch the engine off, simply turn the key to OFF (page 198).

## Parking

Stop the motorcycle, then put it on the side stand. To prevent theft, turn the handlebar fully left and turn the ignition key to the LOCK position.

If you park in a garage or other indoor area, make sure that there is proper ventilation and that the motorcycle is not near a source of heat.

## Important

Never leave the ignition key in the switch when you are leaving your motorcycle unattended.



## Warning

The exhaust system might be hot, even after engine is switched OFF; pay particular attention not to touch exhaust system with any body part and do not park the motorcycle next to inflammable material (wood, leaves etc.).



## Warning

Using padlocks or other locks designed to prevent motorcycle motion, such as brake disc locks, rear sprocket locks, and so on is dangerous and may impair motorcycle operation and affect the safety of rider and passenger.

## Refuelling

Never overfill the tank when refuelling. Fuel should never be touching the rim of filler recess.



### Warning

Use fuel with low lead content and an original octane number of at least 95.



### Warning

The vehicle is only compatible with fuel having a maximum content of ethanol of 10% (E10). Using fuel with ethanol content over 10% is forbidden. Using it could result in severe damage of the engine and motorcycle components. Using fuel with ethanol content over 10% will make the warranty null and void.

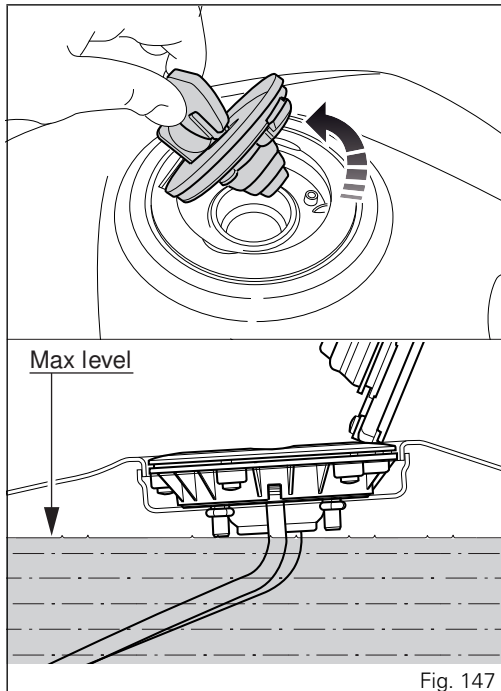


Fig. 147

## Tool kit and accessories

The tool kit is located under the seat and includes:

- Box wrench for spark plugs;
- Tommy bar for plug wrench;
- Double-tip screwdriver;
- Allen wrench for fairings.

To access the compartment remove the seat (page 210).

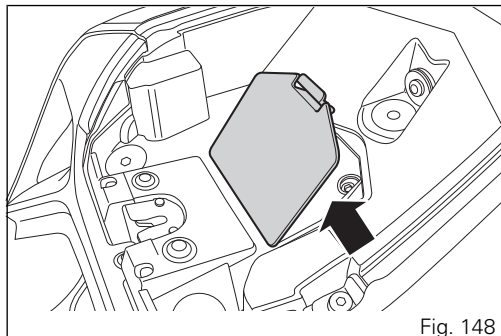


Fig. 148



Have the following parts (supplied as standard) installed by a Ducati Dealer or authorised Service Centre:

- headlight fairing LH and RH aerodynamic bulkheads;
- oversized Plexiglas kit;
- aluminium rear-view mirror plug kit;
- passenger seat;
- right and left rear footpegs;
- complete exhaust kit (1);
- steering bush kit (2);
- GPS electronic finish line kit (3);
- DDA + (4).

The steering bush kit (2) supplied with the bike is only conceived for the use on the track and allows changing the bike handling.



### Warning

If there are contacts between the bike components, reduce the steering angle by working on the relevant adjusters. Make sure there is no contact between the front tyre and the radiator assembly while riding.



### Note

The Performance long manifold kit (part no. 96480161A) can be purchased at a Ducati dealer or Authorised Service Centre.

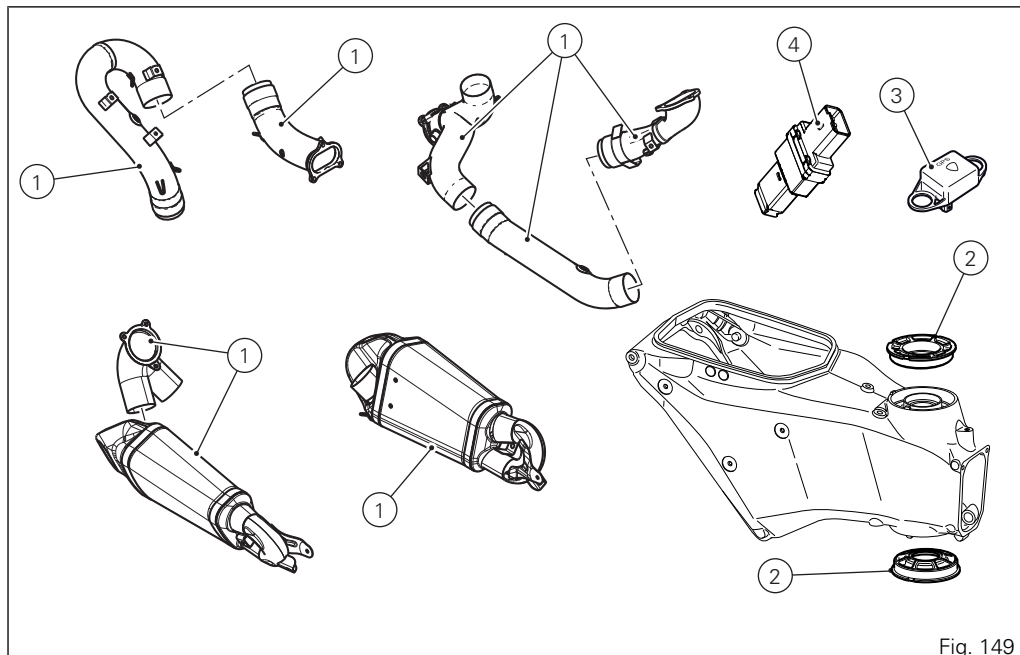


Fig. 149

# Main maintenance operations

## Remove the fairing

Some parts of the motorcycle fairing have to be removed for certain maintenance or repair operations.



### Warning

Failed or incorrect refitting of one of the removed components could cause its sudden detachment while riding resulting in loss of control of the motorcycle.



### Important

At every reassembly, to avoid damaging the painted areas and the Plexiglas windscreen, always place the nylon washers at the retaining screws.



### Important

Have the fairings removed at a Ducati Dealer or Authorised Service Centre.

## Side fairings

To remove the fairings, use the Allen wrench accommodated under the seat to loosen the following:

- the two screws (1) securing the fairing panels to the brackets;
- the four screws (2) securing the fairing panels to the headlight fairing;
- the three screws (3) securing the fairing panels to the frame;
- the two screws (4) located under the fairing that join the right fairing panel to the left fairing panel;
- the two screws (5) securing the fairing panels at the centre;
- the two screws (6) securing the front of the fairing to the headlight fairing.



### Note

Be careful of the splashguard, which is released by the fairing panel fastening.



### Note

To refit the left fairing panel, lower the side stand and pass it through the hole in the panel.

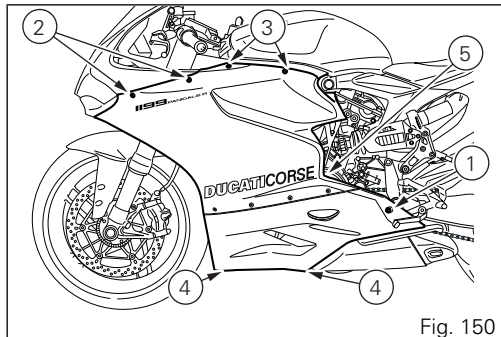


Fig. 150

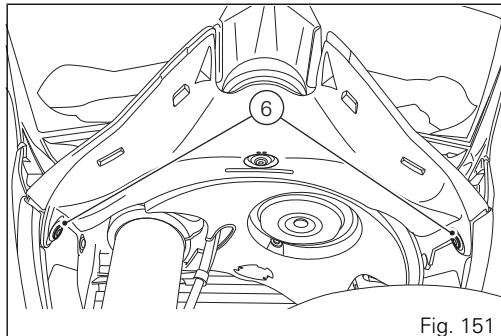


Fig. 151

## Change the air filter



### Important

Have the air filter maintenance performed at a Ducati Dealer or authorised Service Centre.

## Check and top up the coolant level

Check coolant level in the expansion tank on the right side of the vehicle.

Check that the level is between the MIN (1) and MAX (2) marks on the side of the expansion reservoir.

Top up if the level is below the MIN mark.

Remove the right-hand side fairing (page 235).

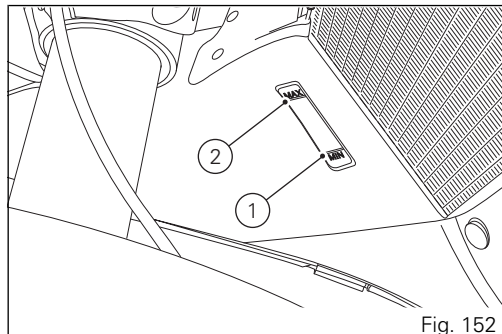


Fig. 152

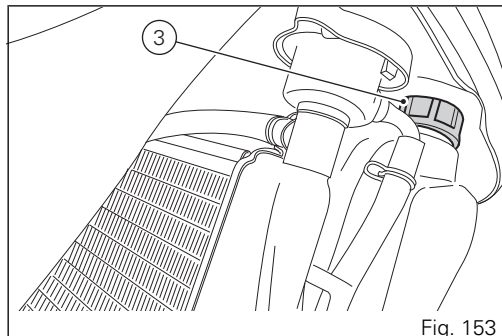
Unscrew the filler plug (3) and add ENI Agip Permanent Spezial antifreeze (do not dilute, use pure), until reaching the MAX level. Refit the filler plug (3) and reassemble all removed parts. This type of mixture ensures the best operating conditions (the coolant starts to freeze at -20 °C/-4 °F). Cooling circuit capacity: 2.3 cu. dm (litres).

#### Warning

Place the motorcycle upright on a flat surface and make sure the engine is cold before proceeding.

#### Important

Have the top-up performed at a Ducati Dealer or Authorised Service Centre.



## Check brake and clutch fluid level

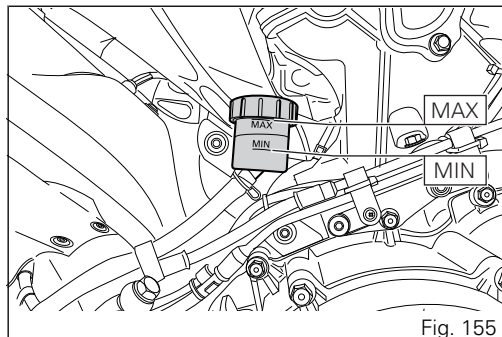
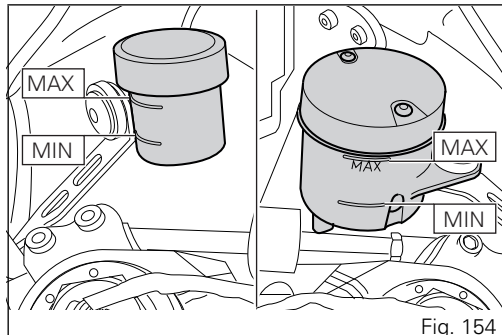
The levels should not fall below the MIN marks on the respective reservoirs.

If level drops below the limit, air might get into the circuit and affect the operation of the system involved.

Brake and clutch fluid must be topped up and changed at the intervals specified in the scheduled maintenance table reported in the Warranty Booklet; please contact a Ducati Dealer or authorised Service Centre.

### Important

It is recommended all brake and clutch lines be changed every four years.





## Brake system

If you find exceeding play on brake lever or pedal and brake pads are still in good condition, contact your Ducati Dealer or authorised Service Centre to have the system inspected and any air drained out of the circuit.



### Warning

Brake and clutch fluid can damage paintwork and plastic parts, so avoid contact. Hydraulic oil is corrosive; it may cause damage and lead to severe injuries. Never mix fluids of different qualities. Check seals for proper sealing.

## Clutch system

If the control lever has exceeding play and the transmission snatches or jams as you try to engage a gear, it means that there might be air in the circuit. Contact your Ducati Dealer or authorised Service Centre to have the system inspected and air drained out.



### Warning

Clutch fluid level will increase as clutch plate friction material wears down. Do not exceed the specified level (3 mm above the minimum level).

## Check brake pads for wear

Check brake pads wear through the inspection hole in the callipers. Change both pads if friction material thickness of even just one pad is about 1 mm.



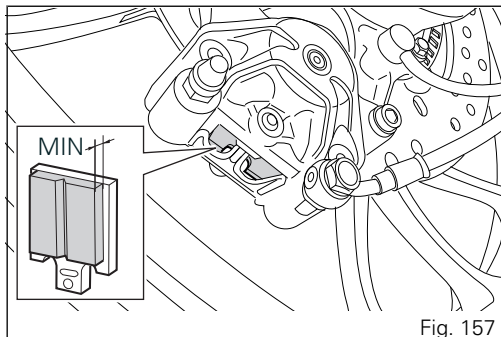
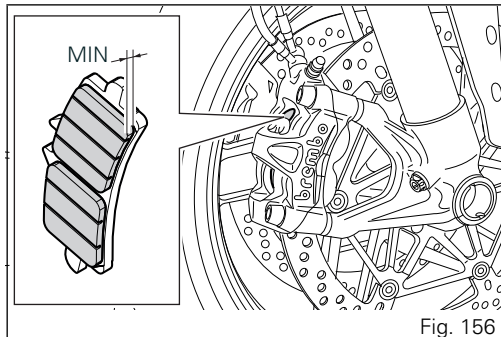
### Warning

Friction material wear beyond this limit would lead to metal support contact with the brake disc thus compromising braking efficiency, disc integrity and rider safety.



### Important

Have the brake pads replaced at a Ducati Dealer or authorised Service Centre.



## Charge the battery

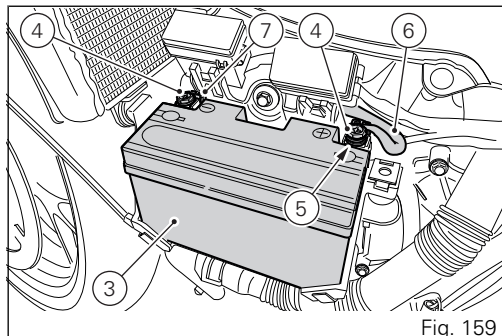
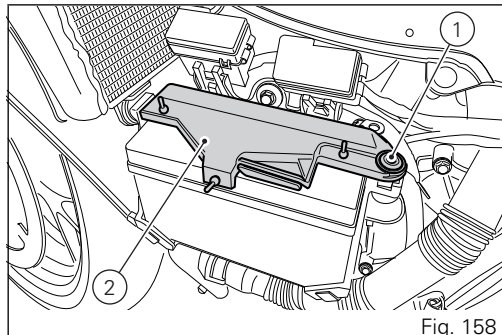
Before charging the battery, it is best to remove it from the motorcycle.

Remove the left-hand side fairing (page 235).

Undo the screw (1) and remove the battery mounting cover (2).

Slide out the battery (3) from its housing and, always starting from the negative terminal (-), loosen the screws (4).

Remove the positive cable (5), the ABS positive cable (6) from the positive terminal and the negative cable (7) from the negative terminal.



**Warning**

The battery produces explosive gases: keep it away from heat sources

**Warning**

Keep the battery out of the reach of children.

Charge the battery at 0.9 A for 5÷10 hours.  
Charge the battery in a ventilated room.  
Connect the battery charger leads to the battery terminals: the red one to the positive terminal (+), the black one to the negative terminal (-).

**Important**

Make sure the charger is OFF when you connect the battery to it, or you might get sparks at the battery terminals that could ignite the gases inside the cells. Always connect the red positive (+) terminal first.

Lay down the ABS positive cable (6), onto positive cable (5) and start screw (4) on these cables.

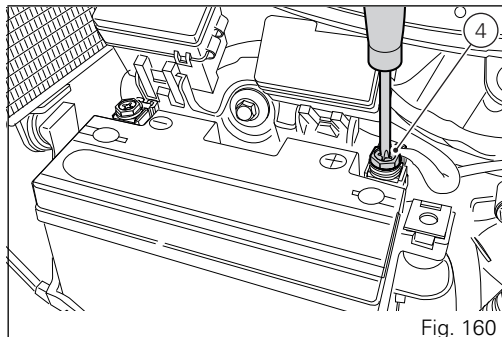


Fig. 160

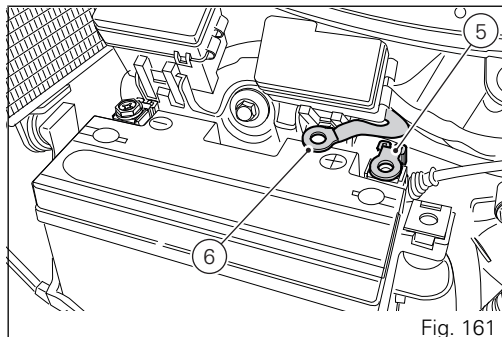


Fig. 161

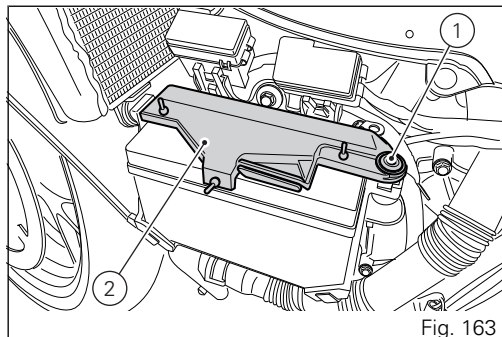
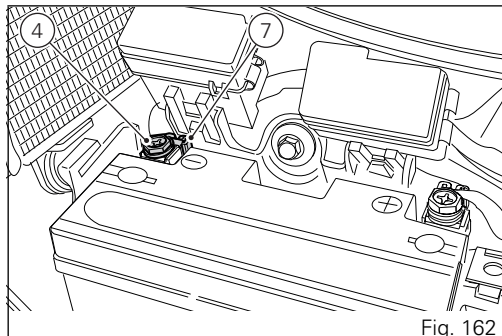
Connect the positive cable (5), previously assembled to ABS cable (6), to battery positive terminal, and negative cable (7) to battery negative terminal, by starting the other screw (4).

Tighten the terminal screws (4) to a torque of  $5 \text{ Nm} \pm 10\%$  and apply grease onto the battery terminals to prevent oxidation.

Reinstall the battery (3) in the support, positioning the cables (5) and (6) as shown in (Fig. 159).

Refit battery mounting cover (2) and fasten tightening the screw (1) to a torque of  $10 \text{ Nm} \pm 10\%$ .

Refit the left-hand side fairing (page 235).



## Charge and maintenance of the battery during winter storage

Your motorcycle is equipped with a connector (1) to which you can connect a special battery charger (2) (Battery maintainer kit part no. 69924601A - various countries; Battery maintainer kit part no. 69924601AX - for Japan, China and Australia only) available from our sales network.



### Note

The 1199 Panigale electric system is designed so as to ensure there is a very low power drain when the motorcycle is off. Nevertheless, the battery features a certain self-discharge rate that is normal and depends on ambient conditions as well as on "non-use" time.

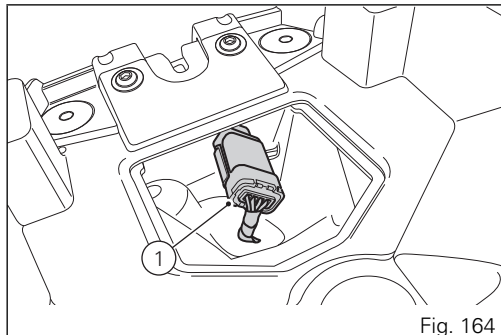


Fig. 164

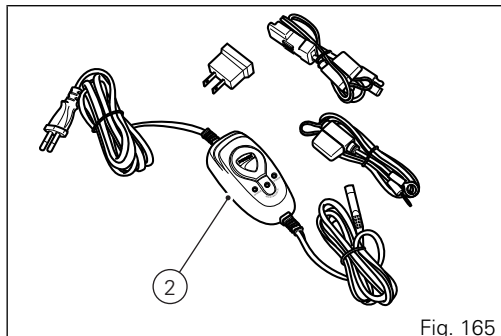


Fig. 165



## Important

If battery is not kept at a minimum charge level by a suitable battery charge maintainer, sulphation may occur and this is an irreversible phenomenon causing decreasing battery performance.



## Note

When the motorcycle is left unused (approximately for more than 30 days) we recommend owners to use the Ducati battery charge maintainer (Battery maintainer kit part no. 69924601A - various countries; Battery maintainer kit part no. 69924601AX - for Japan, China and Australia only) since its electronics monitors the battery voltage and features a maximum charge current of 1.5 Ah. Connect the maintainer to the diagnostics socket located in the rear side of the motorcycle.



## Note

Using charge maintainers not approved by Ducati could damage the electric system; motorcycle warranty does not cover the battery if damaged due to failure to comply with the above indications, since it is considered as wrong maintenance.

## Check drive chain tension



### Important

Have chain tension adjusted by a Ducati Dealer or authorised Service Centre.

Make the rear wheel turn until you find the position where chain is tightest. Set the vehicle on the side stand. With just a finger, push down the chain at the point of measurement and release.

Measure the distance (A) between the centre of the chain pins and the aluminium section of the swinging arm: it must be  $A = 47 \div 49$  mm.



### Important

This only applies to the motorcycle STANDARD settings, available upon delivery.

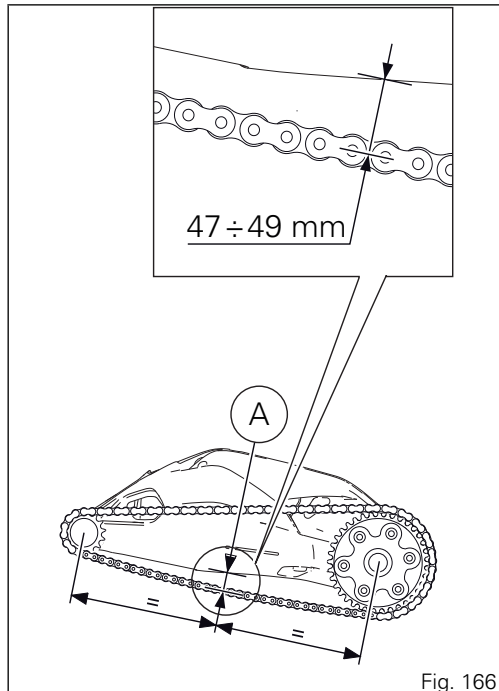


Fig. 166



**Warning**  
Correct tightening of swinging arm screws (1) is critical to rider and passenger safety.

**Important**  
Improper chain tension will lead to early wear of transmission parts.

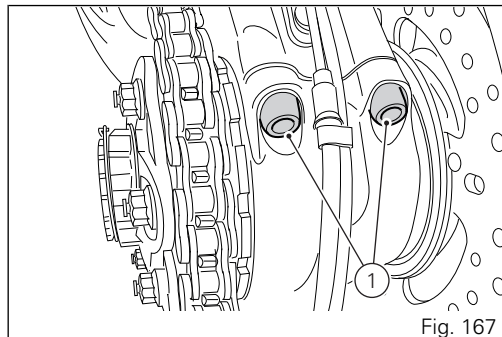


Fig. 167

## Chain lubrication

The chain fitted on your motorcycle has O-rings to protect its moving parts from dirt, and to hold the lubricant inside.

The seals might be irreparably damaged if the chain is cleaned using any solvent other than those specific for O-ring chains or washed using steam or water cleaners.

After cleaning, blow the chain dry or dry it using absorbent material and apply SHELL Advance Chain or Advance Teflon Chain on each link.

LED turn indicators are maintenance-free.



### Important

Using non-specific lubricants may cause severe damage to the chain and the front and rear sprocket.

## Replace the high and low beam bulbs



### Note

LED low and high beam are maintenance-free

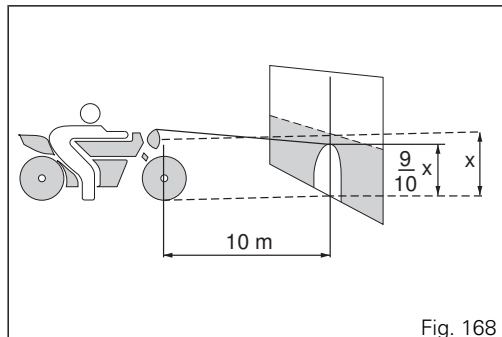
## Replacing the parking light bulb

LED parking lights are maintenance-free.

## Rear turn indicators

## Beam setting

To check the headlight aim, place the motorcycle upright with the tyres inflated to the correct pressure and one person sitting astride the motorcycle. The motorcycle should be perfectly vertical, with its longitudinal axis at right angles to a wall or screen at a distance of 10 metres. then draw a horizontal line dictated by headlamp centre and a vertical one in line with the longitudinal axis of motorcycle. If possible, perform this check in dim light. Turn the low beam on and adjust both the right-hand and left-hand light beam: the height of the light spot (measured at the upper limit between dark and lighted-up area) should not exceed  $\frac{9}{10}$ th of the height from ground of headlamp centre.



### Note

This is the procedure specified by Italian regulations for checking the maximum height of the light beam. Please adapt said procedure to the provisions in force in your own country.

To adjust the headlight beam, turn the four screws (1) and (2) located at the front, on the right and left side of the vehicle; in particular:

- the two screws (1), located on the right and left side of the vehicle allow you to adjust the beam vertically,
- the two screws (2), located on the right and left side of the vehicle allow you to adjust the beam horizontally.

### Warning

The headlight might fog up if the motorcycle is used under the rain or after washing. Switch headlight on for a short time to dry up any condensate.

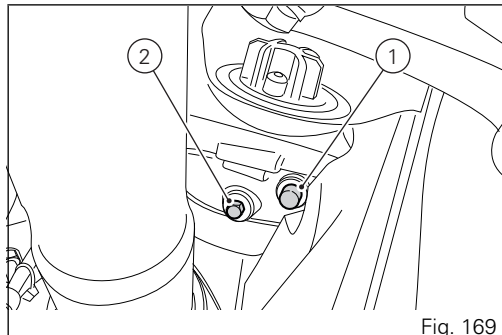


Fig. 169

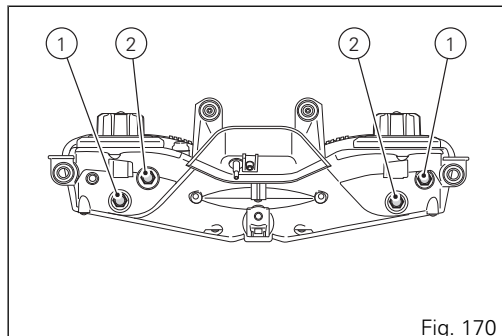
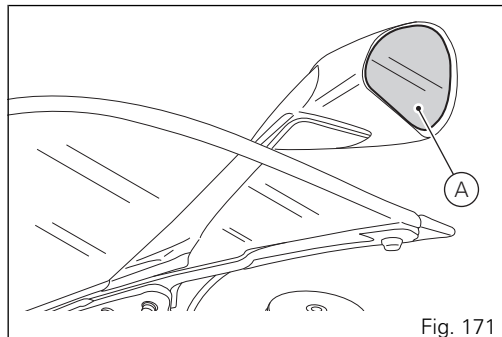


Fig. 170

## Adjust rear-view mirrors

The rear-view mirror can be adjusted manually by pressing on point (A).



## Tubeless tyres

Front tyre pressure:

2.1 bar - 2.14 bar.

Rear tyre pressure:

2.2 bar - 2.24 bar

As tyre pressure is affected by temperature and altitude variations, you are advised to check and adjust it whenever you are riding in areas where ample variations in temperature or altitude occur.

### Important

Check and adjust the pressures with the tyres cold. To avoid front wheel box distortion, when riding on bumpy roads, increase tyre pressure by 0.2 ÷ 0.3 bar.

### Tyre repair or change (Tubeless tyres)

In the event of a tiny puncture, tubeless tyres will take a long time to deflate, as they tend to keep air inside. If you find low pressure on one tyre, check the tyre for punctures.



### Warning

Punctured tyres must be replaced. Replace tyres with recommended standard tyres only. Be sure to tighten the valve caps securely to avoid leaks when riding. Never use tube type tyres. Failure to heed this warning may lead to sudden tyre bursting and to serious danger to rider and passenger.

After replacing a tyre, the wheel must be balanced.



### Warning

Do not remove or shift the wheel balancing weights.



### Note

Have the tyres replaced at a Ducati Dealer or authorised Service Centre. Correct removal and installation of the wheels is essential. Some parts of the ABS (such as sensors and phonic wheels) are mounted to the wheels and require specific adjustment.

## Minimum tread depth

Measure tread depth (S, Fig. 172) at the point where tread is most worn down: it should not be less than 2 mm, and in any case not less than the legal limit.



### Important

Visually inspect the tyres at regular intervals for detecting cracks and cuts, especially on the side walls, bulges or large spots that are indicative of internal damage. Replace them if badly damaged. Remove any stones or other foreign bodies caught in the tread.

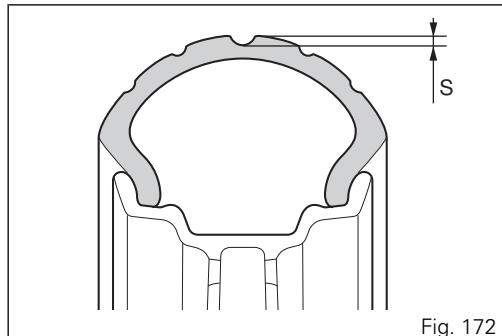


Fig. 172

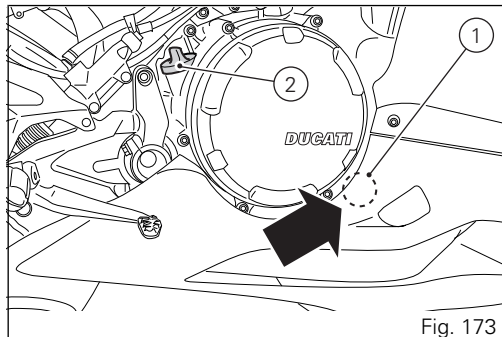
## Check engine oil level

Engine oil level can be checked through the sight glass (1) located onto clutch cover. Oil level must be checked with the motorcycle perfectly upright and the engine cold. Oil level should be between the marks on the sight glass. If the level is low, top up with SHELL Advance 4T Ultra engine oil. Remove the oil filler cap (2) and top up until the oil reaches the required level. Refit the plug.



### Important

Engine oil and oil filters must be changed by a Ducati Dealer or authorised Service Centre at the intervals specified in the scheduled maintenance chart reported in the Warranty Card.

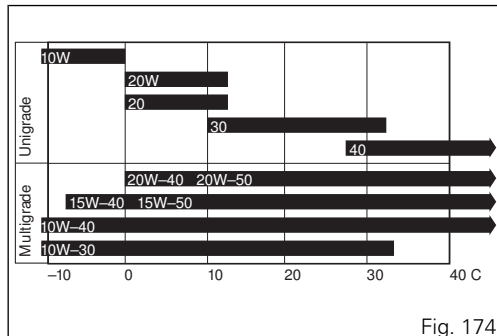




## Viscosity

### SAE 15W-50

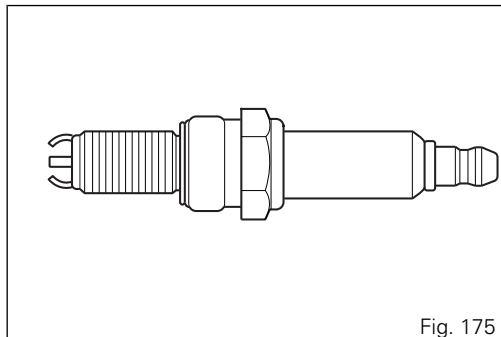
The other viscosity degrees indicated in the table can be used if the local average temperature is within the limits specified for that oil viscosity.



## Clean and replace the spark plugs

Spark plugs are essential to smooth engine running and should be checked at regular intervals.

Have the spark plug replaced at a Ducati Dealer or authorised Service Centre.



## Clean the motorcycle

To preserve the finish of metal parts and paintwork, wash and clean your motorcycle at regular intervals, anyway according to the road conditions you ride in. Use specific products only. Prefer biodegradable products. Avoid aggressive detergents or solvents. Only use water and neutral soap to clean the Plexiglas and the seat.

Periodically manually clean all aluminium components. Use special detergents, suitable for aluminium parts FREE of abrasives or caustic soda.



### Note

Do not use sponges with abrasive parts or steel wool: only use soft cloths.

However, the warranty does not apply to motorcycles whenever poor maintenance status is ascertained.



### Important

Do not wash your motorcycle right after use. When the motorcycle is still hot, water drops will evaporate faster and spot hot surfaces. Never clean the motorcycle using hot or high-pressure water jets.

Cleaning the motorcycle with a high pressure water jet may lead to seizure or serious faults in forks, wheel hubs, electric system, headlight (fogging), fork seals, air inlets or exhaust silencers, with consequent loss of compliance with the safety requirements. Clean off stubborn dirt or exceeding grease from engine parts using a degreasing agent. Be sure to avoid contact with drive parts (chain, sprockets, etc.).

Rinse with warm water and dry all surfaces with chamois leather.



### Warning

Braking performance may be impaired immediately after washing the motorcycle. Never grease or lubricate the brake discs to avoid losing braking power. Clean the discs with an oil-free solvent.



## Warning

The headlight might fog up due to washing, rain or moisture. Switch headlight on for a short time to dry up any condensate.

Carefully clean the phonic wheels of the ABS so to ensure system efficiency. Do not use aggressive products so to avoid damaging the phonic wheels and the sensors.



## Note

Do not use alcohol or alcohol-derived products to clean the instrument panel.

Pay special attention to regularly clean the wheel rims since they feature some machined aluminium parts; clean and dry them any time you use the motorcycle.

## Storing the motorcycle

If the motorcycle is to be left unriden over long periods, it is advisable to carry out the following operations before storing it away:

- clean the motorcycle;
- empty the fuel tank;
- place the motorcycle on a service stand;

- disconnect, remove the battery and periodically charge it using the battery charge maintainer (see page 245).
- Protect the motorcycle with a suitable canvas. This will protect paintwork and let condensate breathe out. The canvas is available from Ducati Performance.

## Important notes

The legislation in some countries (France, Germany, Great Britain, Europe, Switzerland, etc.) sets certain noise and pollution standards.

Periodically carry out the required checks and replace parts as necessary, using Ducati original spare parts, in compliance with the regulations in the country concerned.

## Scheduled maintenance chart

Scheduled maintenance chart: operations to be performed by the Dealer

### Warning

This scheduled maintenance chart is designed for a road use of the 1199 Panigale. If it is used on the track, even if not during sport competitions, all parts of the bike are more stressed so the routine maintenance operations must be carried out more frequently than indicated.

### Warning

Please contact a Ducati Dealer or authorised Service Centre where you can receive customised service advice according to the sport use you make of your 1199 Panigale.

List of operations and type of intervention [set mileage (km/mi) or time interval *]	Km. x1000	1	12	24	36	48	Time (months)
	mi. x1000	0.6	7.5	15	22.5	30	
Read the error memory with DDS 2.0 and check whether any update is available for control unit software version		•	•	•	•	•	12
Check whether there are technical updates and recall campaigns		•	•	•	•	•	12
Change engine oil and filter		•	•	•	•	•	12
Clean engine oil mesh filter at intake				•		•	-
Check and/or adjust valve clearance				•		•	-

List of operations and type of intervention [set mileage (km/mi) or time interval *]	Km. x1000	1	12	24	36	48	Time (months)
	mi. x1000	0.6	7.5	15	22.5	30	
Visual check for wear of the chain timing system						●	-
Replace the spark plugs				●		●	-
Clean the air filter			●		●		-
Change the air filter				●		●	-
Check the proper tightening of the clutch cover and clutch protection cover bolts			●	●	●	●	-
Check the proper tightening of the oil sump bolts				●		●	-
Check brake and clutch fluid level		●	●	●	●	●	12
Change brake and clutch fluid							24
Check brake pads. Replace if necessary		●	●	●	●	●	12
Check the proper tightening of brake calliper bolts and brake disc carrier bolts		●	●	●	●	●	12
Check front and rear wheel nuts tightening		●	●	●	●	●	12
Check wheel hub bearings				●		●	-
Check and lubricate the rear wheel shaft				●		●	24
Check the cush drive damper on rear sprocket				●		●	-

List of operations and type of intervention [set mileage (km/mi) or time interval *]	Km. x1000	1	12	24	36	48	Time (months)
	mi. x1000	0.6	7.5	15	22.5	30	
Check the proper tightening of secondary drive front and rear sprocket nuts		●	●	●	●	●	12
Check chain sliders for wear		●	●	●	●	●	12
Check the drive chain tension and lubrication		●	●	●	●	●	12
Check steering bearings and lubricate, if necessary				●		●	24
Change the front fork fluid							36
Visually check the front fork and rear shock absorber seals		●	●	●	●	●	12
Check the freedom of movement and tightening of the side stand		●	●	●	●	●	12
Visually check the fuel lines			●	●	●	●	12
Check rubbing points, clearance, freedom of movement and routing of the clearly visible flexible cables and electric wiring		●	●	●	●	●	12
Lubricate the levers at the handlebar and pedal controls			●	●	●	●	12
Change the coolant						●	36
Check the coolant level		●	●	●	●	●	12
Check electric fan operation		●	●	●	●	●	12



List of operations and type of intervention [set mileage (km/mi) or time interval *]	Km. x1000	1	12	24	36	48	Time (months)
	mi. x1000	0.6	7.5	15	22.5	30	
Check tyre pressure and wear		●	●	●	●	●	12
Check the battery charge level		●	●	●	●	●	12
Check idling		●	●	●	●	●	12
Check secondary air system operation				●		●	-
Check the operation of all electric safety devices (side stand sensor, front and rear brake switches, engine kill switch, gear/neutral sensor)		●	●	●	●	●	12
Check the indicators and lighting		●	●	●	●	●	12
Reset the Service indication through the DDS 2.0		●	●	●	●	●	12
Road test of the motorcycle, testing the safety devices (e.g. ABS and DTC)		●	●	●	●	●	12
Cleaning the motorcycle		●	●	●	●	●	12
Fill out Warranty Certificate with service data		●	●	●	●	●	12

Scheduled maintenance chart: operations to be performed by the customer

<b>List of operations and type of intervention [set mileage (km/mi) or time interval *]</b>	<b>Km. x1000</b>	<b>1</b>
	<b>mi. x1000</b>	<b>0,6</b>
	<b>Months</b>	<b>6</b>
Check engine oil level		●
Check brake and clutch fluid level		●
Check tyre pressure and wear		●
Check the drive chain tension and lubrication. If necessary, contact your dealer to replace components.		●
Check brake pads. If necessary, contact your dealer to replace components.		●

\* Service on the set interval, whichever comes first (mileage or months).

# Technical data

## Weights

Overall weight (in running order with 90% of fuel - 93/93/EC): 189 kg.

Overall weight (without fluids and battery): 165 kg.

Maximum allowed weight (carrying full load): 370 kg.



## Warning

Failure to observe weight limits could result in poor handling and impair the performance of your motorcycle, and you may lose control of the motorcycle.

## Overall dimensions

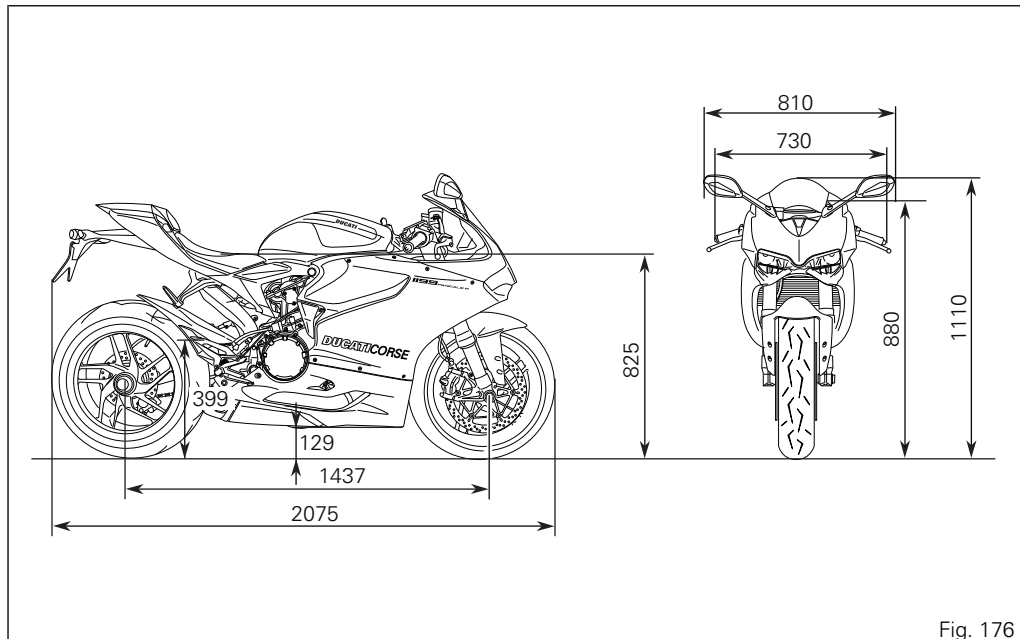


Fig. 176

## Top-ups

<b>TOP-UPS</b>	<b>TYPE</b>	
Fuel tank, including a reserve of 5 cu. dm (litres)	Unleaded fuel with a minimum octane rating of RON 95.	17 cu. dm (litres)
Oil sump and filter	SHELL - Advance 4T Ultra	3.7 cu. dm (litres)
Front/rear brake and clutch circuits	SHELL Advance Brake DOT 4	-
Protectant for electric contacts	SHELL Advance Contact Cleaner	-
Front fork	SHELL Advance Fork 7.5 or Donax TA	155 cc, per leg
Cooling circuit	ENI Agip Permanent Spezial antifreeze (do not dilute, use pure)	2.3 cu. dm (litres)



### Important

Do not use any additives in fuel or lubricants. Using them could result in severe damage of the engine and motorcycle components.



### Warning

The vehicle is only compatible with fuel having a maximum content of ethanol of 10% (E10). Using fuel with ethanol content over 10% is forbidden. Using it could result in severe damage of the engine and motorcycle components. Using fuel with ethanol content over 10% will make the warranty null and void.

## Engine

Twin cylinder, four-stroke, 90° "L" type, longitudinal, with deep sump die-cast crankcase.

Bore, mm: 112

Stroke, mm: 60.8

Total displacement, cu. cm : 1198

Compression ratio: 12.5 ± 0.5:1

Max crankshaft power (95/1/EC), kW/HP:

143 kW/195 HP at 10,750 rpm

Max torque at crankshaft (95/1/EC):

132 Nm / 13.5 kgm / 98.1 lb-ft at 9000 rpm

Maximum rpm :

12.000



### Important

Do not exceed the specified rpm limits in any running conditions.

## Timing system

Double overhead camshaft (DOHC) driven by chain and gearwheels, 4 valves per cylinder, desmodromic system.

### Desmodromic timing system

- 1) Opening (or upper) rocker
- 2) Opening rocker shim
- 3) Closing (or lower) rocker shim
- 4) Return spring for lower rocker
- 5) Closing (or lower) rocker
- 6) Camshaft
- 7) Valve.

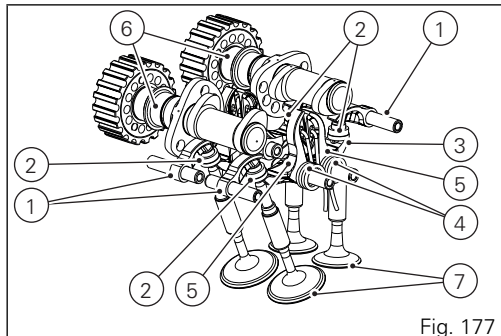


Fig. 177

## Performance data

Maximum speed in any gear should be reached only after a correct running-in period with the motorcycle properly serviced at the recommended intervals.



## Important

Failure to follow these instructions will release Ducati Motor Holding S.p.A. from any liability for any engine damage or shortened engine life.

## Spark plugs

Make:

NGK

Type:

MAR9A-J

## Fuel system

MITSUBISHI indirect electronic injection type:

a/n / a/n.

Oval throttle body (corresponding diameter):

67.5 mm

Injectors per cylinder: 2

Firing points per injector: 12

Fuel specifications: 95-98 RON.



## Warning

The vehicle is only compatible with fuel having a maximum content of ethanol of 10% (E10). Using fuel with ethanol content over 10% is forbidden. Using it could result in severe damage of the engine and motorcycle components. Using fuel with ethanol content over 10% will make the warranty null and void.

## Brakes

Separate-action anti-lock brake system operated by hall-type sensors mounted to each wheel with phonic wheel detection: ABS can be disabled.

### FRONT

Semi-floating drilled twin-disc.

Braking material: steel.

Carrier material: aluminium

Disc diameter: 330 mm.

Hydraulically operated by a control lever on handlebar right-hand side.

Brake calliper make: BREMBO.

Type: M50 (calliper diameter: 30).

Friction material: TT2910 HH.

Master cylinder type: PR16/21.

### REAR



With fixed drilled steel disc.  
Disc diameter: 245 mm.  
Hydraulically operated by a pedal on RH side.  
Make: BREMBO  
Type: P34c (calliper with Ø 34 pistons).  
Friction material: Ferodo Ferit I/D 450 FF.  
Master cylinder type: PS 13.

### Warning

Brake fluid can dissolve paintwork.  
In the event of accidental contact with eyes or skin,  
wash the affected area with abundant running water.

### Transmission

Wet clutch controlled by the lever on left-hand side  
of the handlebar  
Drive is transmitted from engine to gearbox main  
shaft via spur gears.  
Front chain sprocket/clutch gearwheel ratio: 30/53  
6-speed gearbox with constant mesh gears, gear  
change pedal on left side of motorcycle.

Gearbox output sprocket/rear chain sprocket ratio:  
15/41  
Total gear ratios:  
1<sup>st</sup> gear 15/37

2<sup>nd</sup> gear 16/37  
3<sup>rd</sup> gear 18/27  
4<sup>th</sup> gear 20/25  
5<sup>th</sup> gear 22/24  
6<sup>th</sup> gear 24/23

Drive chain from gearbox to rear wheel:  
Make: REGINA  
Links: 106

### Important

The above gear ratios are the homologated ones  
and under no circumstances must they be modified.

However, if you wish to tune up your motorcycle for  
competitions or special tracks, Ducati Motor Holding  
S.p.A. will be pleased to provide information about  
the special ratios available. Contact a Ducati Dealer or  
Authorised Service Centre.



## Warning

If the rear sprocket needs replacing, contact a Ducati Dealer or authorised Service Centre.

Incorrect replacement of this component could seriously endanger rider and passenger safety and cause irreparable damage to the motorcycle.

## Frame

Aluminium alloy cast monocoque frame.

Aluminium alloy cast rear subframe.

Steering head angle: 24° 50'

Steering angle: 27° on the left / 27° on the right.

Trail: 100 mm.

## Wheels

Front

3-spoke, light-alloy forged rims.

Size: MT3.50x17"

Rear

3-spoke, light-alloy forged rims.

Size: MT6.00x17"

## Tyres

Front

Tubeless, radial tyre.

Size: 120/70.

Rear

Tubeless, radial tyre.

Size: 200/55.

## Suspensions

Front

Hydraulic upside-down fork provided with electronic adjustment (through the Dashboard) for rebound, compression, and preload (for inner springs of fork legs).

Stanchion diameter:

43 mm, TiN-coated.

Wheel travel:

120 mm.

Rear

The shock absorber is adjustable through the Dashboard for rebound and compression.

The spring preload can be adjusted manually.

The shock absorber is connected to the crankcase at the front pivot point and to the rocker arm at the rear pivot point.

The swinging arm is connected to the pivot shafts going through the engine.

The whole system gives the bike excellent stability.

Wheel travel:

130 mm.

## Exhaust system

Exhaust pipe layout is "2 into 1 into 2".

Two stainless steel silencers with aluminium alloy external sleeve.

Two lambda sensors and two catalytic converters.

## Available colours

Ducati Anniversary red 473.101 (PPG);

Clear coat 228.880 (PPG);

aluminium colour frame and black rims.

## Electrical system

Basic electric items are:

LED headlight type:

no. 2 LEDs, ALTILON LAFL-C4L-850 (low beam);

no. 8 LEDs, LUMILEDS LXMA-PW01-0100 (high beam)

parking light type:

no. 8 LEDs, OSRAM LW G6SP-EAFA-JK.

Tail light type:

no.2 REBEL LXM2-PH01-0060 LEDs.

LED stop lights type:

no.8 LA G6SP-CBEA-24-1 LEDs.

LED number plate light type:

no.3 CREE CLA1A-WKW-CXAYB453 LEDs.

Electrical controls on handlebars.

LED front turn indicator type: -

LED rear turn indicator type (Europe version):

no. 4 LEDs, OSRAM LYE65F.

Horn.

Stop light switches.

Sealed battery, 12 V - 6.5 Ah.

System voltage 12 V.

12 V-380 W GENERATOR.

Electronic rectifier, protected by a 30A fuse located on the solenoid starter, under the battery (C, Fig. 180).

Starter motor: 12 V-0.6 kW.

Rear bulb turn indicators (USA version): R10W (12V-10W) Orange.

Number plate light: LED type.



### Note

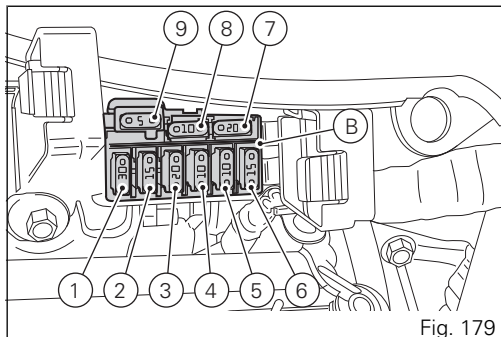
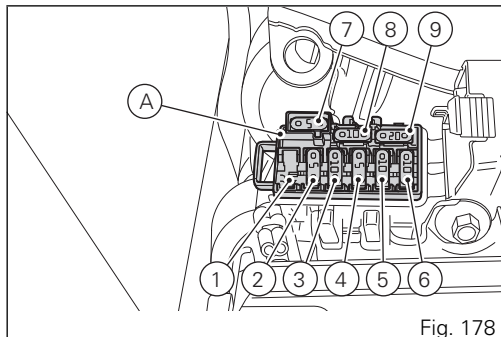
For bulb replacement instructions, please see the paragraph "Replacing the high and low beam bulbs".

## Fuses

There are twelve fuses that protect the electric components, located inside the front fuse boxes, and one on the electric solenoid starter. There is a spare fuse in every box.

Refer to the table below to identify the circuits protected by the various fuses and their ratings. The front left fuse box (A, Fig. 178) and the front right one (B, Fig. 179) are located above the battery. To access the fuses, remove the left fairing (page 235).

To expose the fuses, lift the box protective cover. Mounting position and ampere capacity are marked on box cover.



<b>Front left fuse box key</b>		
Pos	El. item	Rat.
1	-	-
2	GPS	5 A
3	Key-sense	10 A
4	Diagnostics	5 A
5	Throttle opening relay (ETV)	10 A
6	Instrument panel	10 A
7	Spare	5 A
8	Spare	10 A
9	Spare	20 A

<b>Front right fuse box key</b>		
Pos	El. item	Rat.
1	ABS 1	30 A
2	ABS 2	15 A
3	Injection relay	20 A
4	Lights	10 A

<b>Front right fuse box key</b>		
5	ECU	10 A
6	Black Box System (BBS)	15 A
7	Spare	20 A
8	Spare	10 A
9	Spare	5 A

To access the main fuse, remove the left fairing (page 235).

The main fuse (C, Fig. 180) is located near the battery on solenoid starter (D, Fig. 180). Remove the fuse cap (E, Fig. 180) to reach it. A blown fuse can be identified by breakage of the inner filament (F, Fig. 181).



### Important

Switch the ignition key to OFF before replacing the fuse to avoid possible short-circuits.



### Warning

Never use a fuse with a rating other than specified. Failure to observe this rule may damage the electric system or even cause fire.

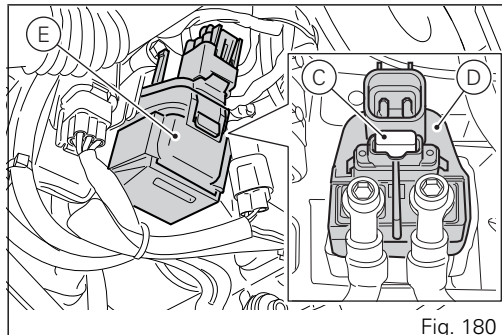


Fig. 180

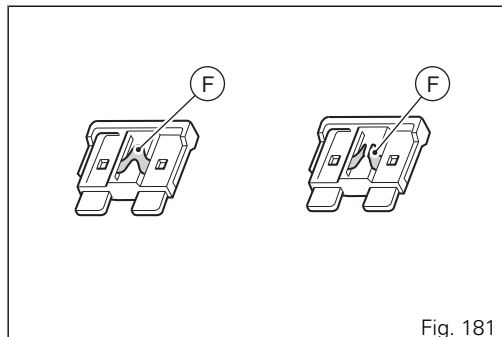


Fig. 181

## Injection /electric system diagram key

- |                                   |                               |
|-----------------------------------|-------------------------------|
| 1) Right-hand switch              | 25) Fuel level                |
| 2) E-LOCK control unit            | 26) Vertical coil             |
| 3) E-LOCK relay                   | 27) Horizontal coil           |
| 4) Fuse box 1                     | 28) Timing/rpm sensor         |
| 5) Fuse box 2                     | 29) Vertical lambda sensor    |
| 6) ECU                            | 30) Horizontal lambda sensor  |
| 7) APS                            | 31) Quick shifter             |
| 8) Starter motor                  | 32) Side stand switch         |
| 9) Fused solenoid                 | 33) Oil pressure sensor       |
| 10) Battery                       | 34) Rear stop switch          |
| 11) Engine ground                 | 35) Clutch switch             |
| 12) Regulator                     | 36) Front stop switch         |
| 13) Generator                     | 37) Fuel pump relay           |
| 14) Rear right turn indicator     | 38) Vertical ETV relay        |
| 15) Rear light                    | 39) Horizontal ETV relay      |
| 16) Rear left turn indicator      | 40) Vertical MAP sensor       |
| 17) Number plate light            | 41) Horizontal MAP sensor     |
| 18) Diagnostics socket            | 42) Water temperature sensor  |
| 19) Motorcycle control unit (BBS) | 43) Air temperature sensor    |
| 20) Ex-up drive                   | 44) Horizontal TPS            |
| 21) Gear sensor                   | 45) Vertical TPS              |
| 22) Rear speed sensor             | 46) Main horizontal injector  |
| 23) Front speed sensor            | 47) Upper horizontal injector |
| 24) Fuel pump                     | 48) Main vertical injector    |
|                                   | 49) Upper vertical injector   |
|                                   | 50) Horizontal ETV drive      |



- 51) Vertical ETV drive
- 52) Secondary air actuator
- 53) Left-hand switch
- 54) Horn
- 55) GPS
- 56) Front left turn indicator
- 57) Instrument panel
- 58) Headlight
- 59) Front right turn indicator
- 60) Fan
- 61) Rear suspension compression - Stepper C
- 62) Rear suspension rebound - Stepper D
- 63) Front suspension rebound - Stepper B
- 64) Front suspension compression - Stepper A
- 65) -
- 66) ABS control unit

#### Wire colour coding

- B Blue
- W White
- V Violet
- Bk Black
- Y Yellow
- R Red
- Lb Light blue

- Gr Grey
- G Green
- Bn Brown
- O Orange
- P Pink



**Note**  
The electric system wiring diagram is at the end of this manual.

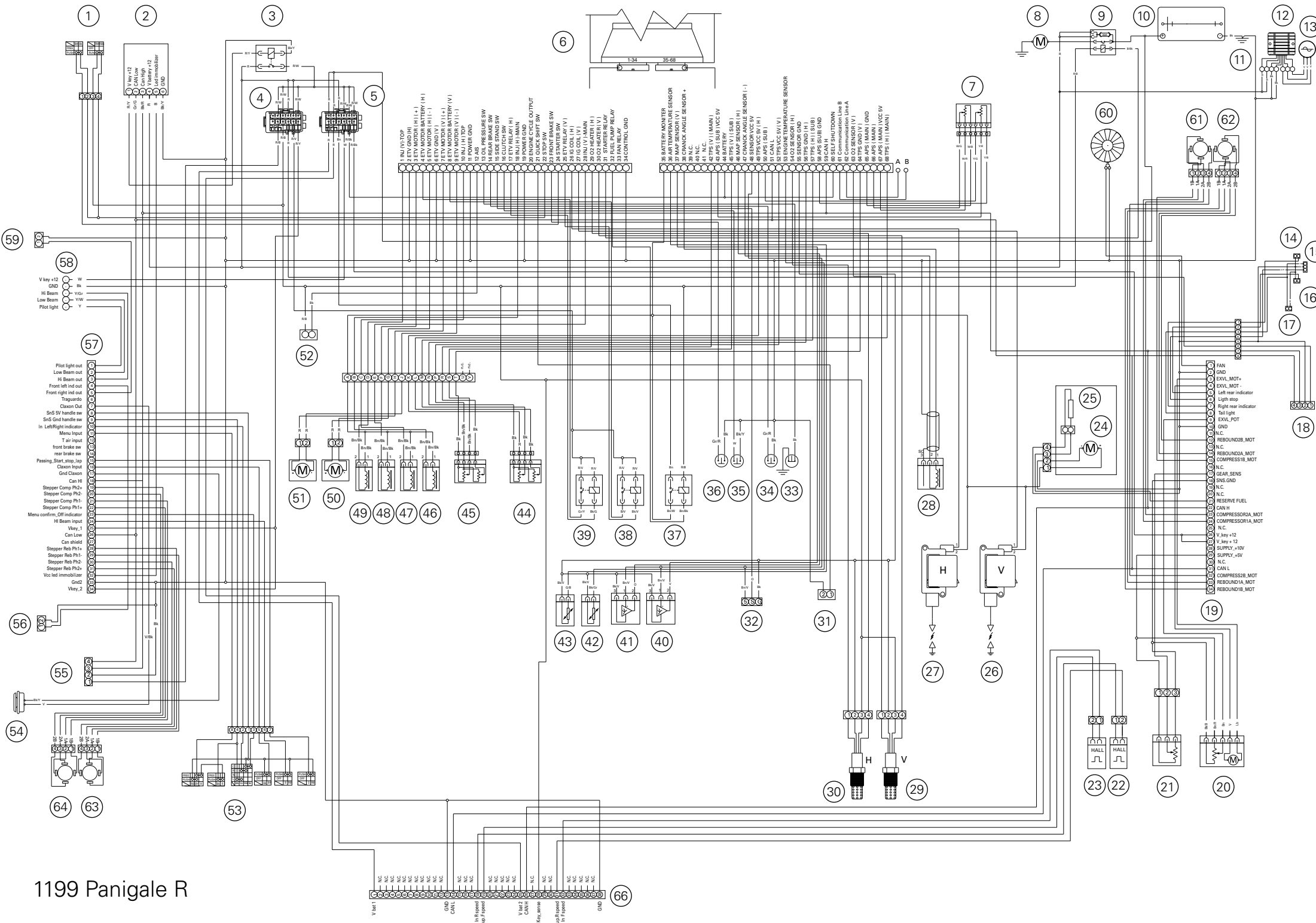
# Routine maintenance record

Routine maintenance record

<b>KM</b>	<b>NAME</b>	<b>MILEAGE</b>	<b>DATE</b>
	<b>DUCATI SERVICE</b>		
1000			
12000			
24000			
36000			
48000			
60000			

Stampato 01/2014

Cod. 913.7.245.2A



1199 Panigale R

cod. 913.7245.2A

Ducati Motor Holding spa  
[www.ducati.com](http://www.ducati.com)

Via Cavalieri Ducati, 3  
40132 Bologna, Italia  
Tel. +39 051 6413111  
Fax +39 051 406580

A Sole Shareholder Company  
An Audi Group Company