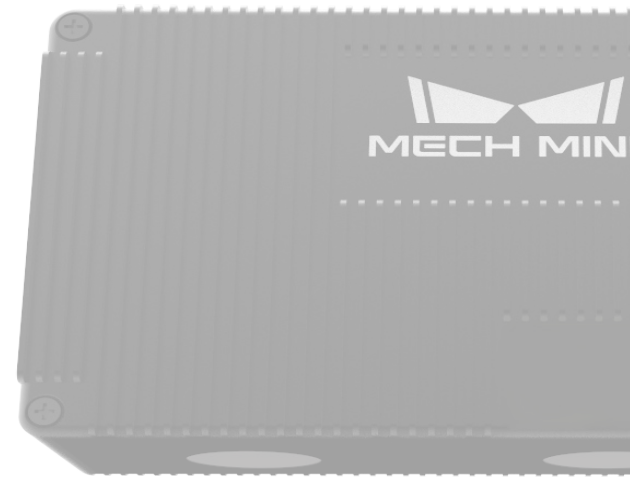




Mech-Eye NANO

DATASHEET



Mech-Eye NANO



Due to its lightweight design, high flexibility and small size, the NANO camera can be mounted on a variety of different robot arms (cobots, industrial robots, etc).

Specifications

With a **working distance of 300 mm - 600 mm**, Mech-Eye NANO is ideal for applications in small spaces.

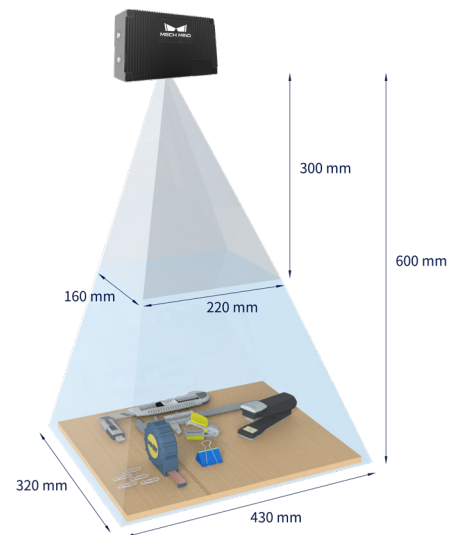
Scope of delivery

NANO Camera

Power - M12, 4-pin, A-coded to EU 230 (10 m) *

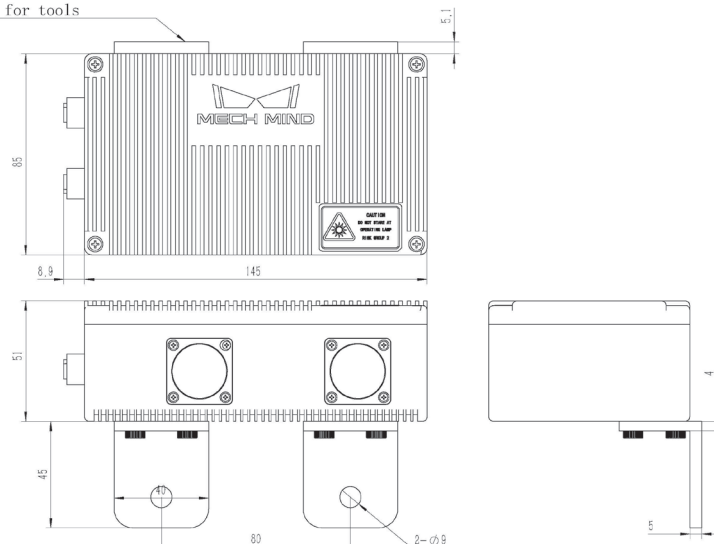
Data - M12, 8-pin, A-coded to RJ45 (10 m) *

*further cable lengths are available



Technical drawing

This surface should leave a minimum clearance of 70mm for tools




Technical data

Optimal scanning range	300 - 600 mm
Min. FOV	220 x 160 mm @ 0.3 m
Max. FOV	430 x 320 mm @ 0.6 m
Resolution	1,280 x 1,024 px (1.3 MP)
Sensor type	CMOS (RGB/Monochrome)
Projector	Structured light (LED)
Z Repeatability	0.1 mm @ 0.5 m
Calibration accuracy	0.1 mm @ 0.5 m
Typical capture time	0.6 - 1.1 s
Baseline	68 mm
Dimension	145 x 51 x 85 mm
Weight	0.7 kg
Working temperature	0 - 45 °C (max. gradient 10°/hour)
Interface	GigE, C++, C#, Python, ROS
Connectors	M12, 8-pin, A-coded (F) - Data M12, 4-pin, A-coded (F) - Power
Power supply	24V DC / 1.5 A
Certification	CE/FCC/VCCI
Protection class	IP65
Cooling	Passive



 www.mech-mind.de

 info@mech-mind.de