

Electric Adaptive Grippers

EAG2-48160 2-Finger

EAG is an electric 2-finger adaptive gripper that is equipped with two symmetrically articulated fingers.

Advantages

- Slim body with one installation positions
- Grip control: force and position adjustment
- Quick open/close time with speed adjustment
- Grip feedback and part detection: gripper status can be read at the PLC/Controller and visualized on the unit via LED's
- Plug and play: mechanical and software interface for major cobot manufacturers
- Multiple communication modes: the gripper supports Modbus RTU protocol and IO mode control. Other protocols such as USB and ETHERNET can be implemented through a protocol converter.
- Grip actuation via embedded controller.
- Brake locking mechanism.



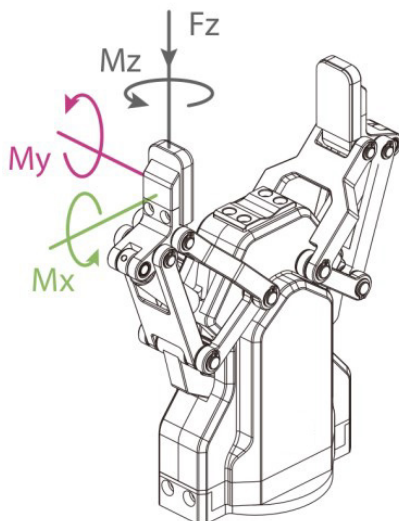
SPECIFICATIONS

Model	Stroke	Gripping Force per Jaw	Total Gripping Force	Opening / Closing Time	Nominal Voltage	Nominal Current	Max Current	Repeatability (Positioning)	Recommended Workpiece Weight*	Weight (fingers excluded)
EAG2-48160	95 mm 3.74 in	45 - 160 N 10.1 - 36 lb	90 - 320 N 20.2 - 72 lb	0.7 / 0.7 s	24 V DC ± 10%	0.8 A	1.50 A	± 0.03 mm ± 0.001 in	3.00 kg 6.61 lb	1.00 kg 2.20 lb

* Recommended workpiece weight depends on the shape of the part, the material and friction of the contact surface and the acceleration of the motion.

Communication Interface **Standard: Modbus RTU (RS485), Digital I/O**
Optional: TCP/IP, USB2.0, CAN2.0A, PROFINET, EtherCAT

IP Protection Class **IP 54**
Noise Emission (Sound Pressure) **≤ 40 dB(A) in any direction**
Recommended operating environment **0-40 °C (32-104 °F), < 85% RH**



Allowable vertical load (static)

Fz 300 N (67.44 lb)

Allowable moment (static)

Mx 4.75 Nm (42 in-lb)

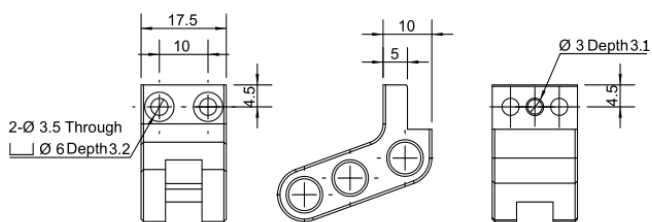
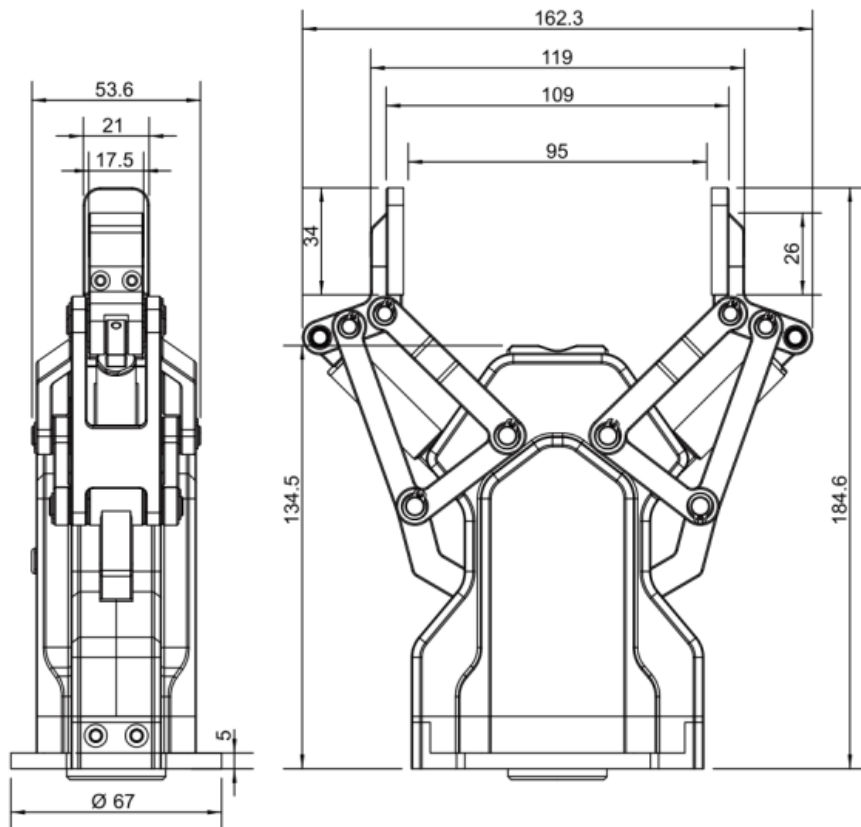
My 4.75 Nm (42 in-lb)

Mz 4.75 Nm (42 in-lb)

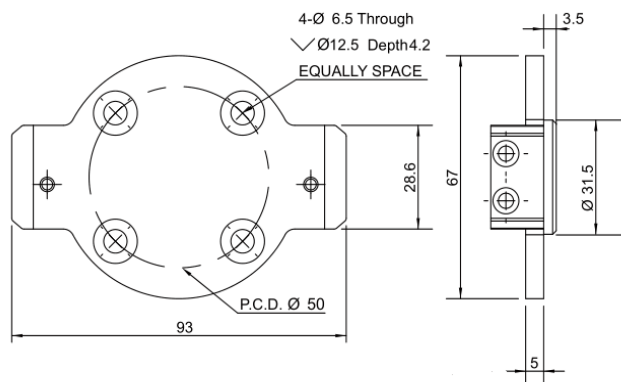


PRODUCT INFORMATION

EAG2-48160 2-Finger



■ Custom fingers mounting size



■ Conform to ISO 9409-1-50-4-M6 standard flange



A COMPANY OF EFFECTO
 Applied Robotics
 648 Saratoga Road
 Glenville, NY 12302 USA
 Tel. +1 518 384 1000 Fax +1.5183841200
 info@appliedrobotics.com
 www.appliedrobotics.com



EFFECTO GROUP S.p.A.
 Via Roma, 141/143
 28017 San Maurizio d'Opaglio (NO) - Italy
 Tel. +39 0322 96142 Fax +39 0322 967453
 info@effecto.com
 www.effecto.com

