

Collaborative Parallel Grippers

ECG2-18050 2-Finger

ECG is a collaborative 2-finger parallel gripper that is equipped with symmetrically parallel fingers.

Advantages

- Compact design
- Smooth body with rounded edges ideal for collaborative applications
- Grip control: force and position adjustment
- Quick open/close time with speed adjustment
- Grip feedback and part detection: gripper status can be read at the PLC/Controller and visualized on the unit via LED's
- Plug and play: mechanical and software interface for major cobot manufacturers
- Multiple communication modes: the gripper supports Modbus RTU protocol and IO mode control. Other protocols such as USB and ETHERNET can be implemented through a protocol converter.
- ROS compatible
- Designed for harsh environments
- Grip actuation via embedded controller.



SPECIFICATIONS

Model	Stroke per Jaw	Gripping Force per Jaw	Total Gripping Force	Opening/ Closing Time	Nominal Voltage	Nominal Current	Max Current	Repeatability (Positioning)	Recommended Workpiece Weight*	Weight
ECG2-18050	17.5 mm 0.69 in	15 - 50 N 3.37 - 11.24 lb	30 - 100 N 6.74 - 22.48 lb	0.7 / 0.7 s	24 V DC ± 10%	0.25 A	0.50 A	± 0.03 mm ± 0.001 in	1.0 kg 2.20 lb	0.50 kg 1.10 lb

* Recommended workpiece weight depends on the shape of the part, the material and friction of the contact surface and the acceleration of the motion.

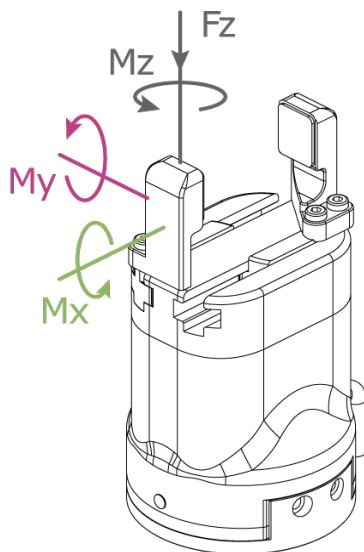
Communication Interface **Standard: Modbus RTU (RS485), Digital I/O**
Optional: TCP/IP, USB2.0, CAN2.0A, PROFINET, EtherCAT

IP Protection Class **IP 54**

Noise Emission (Sound Pressure) **≤ 40 dB(A) in any direction**

Recommended operating environment **0-40 °C (32-104 °F), < 85% RH**

For this type of gripper the use of the standard fingers is recommended.



Allowable vertical load (static)

Fz 150 N (33.72 lb)

Allowable moment (static)

Mx 2.5 Nm (17.70 in-lb)

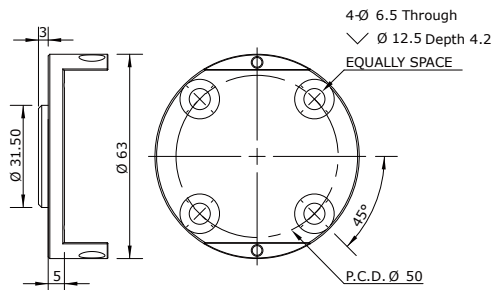
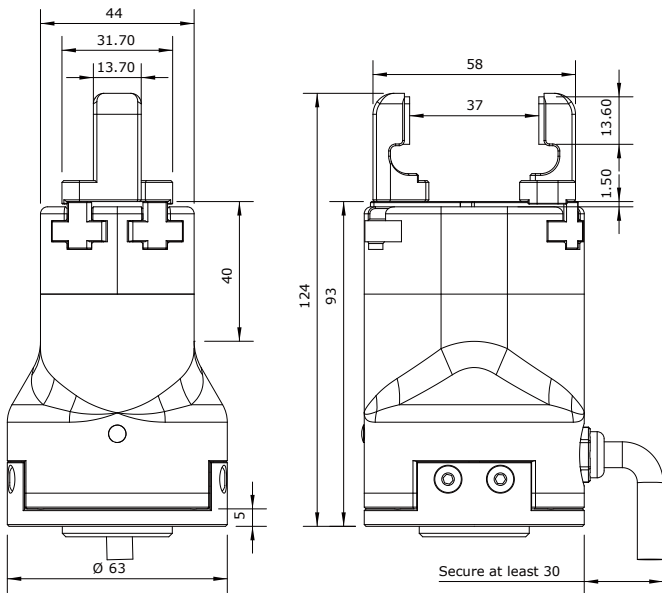
My 2 Nm (17.70 in-lb)

Mz 3 Nm (26.55 in-lb)

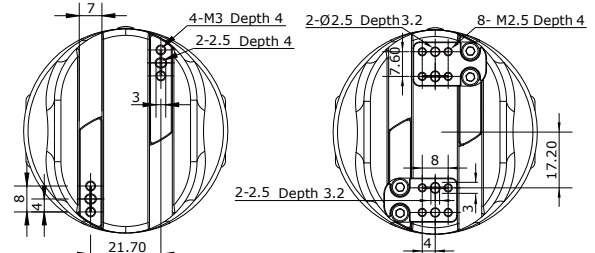


PRODUCT INFORMATION

ECG2-18050 2-Finger



■ Conform to ISO 9409-1-50-4-M6 Standard flange



■ Rail mounting holes

■ Custom finger mounting size



Applied Robotics™
A COMPANY OF **EFFECTO®**

Applied Robotics
648 Saratoga Road
Glenville, NY 12302 USA
Tel. +1 518 384 1000 Fax +1.5183841200
info@appliedrobotics.com
www.appliedrobotics.com



EFFECTO
EFFECTO GROUP S.p.A.
Via Roma, 141/143
28017 San Maurizio d'Opaglio (NO) - Italy
Tel. +39 0322 96142 Fax +39 0322 967453
info@effecto.com
www.effecto.com

