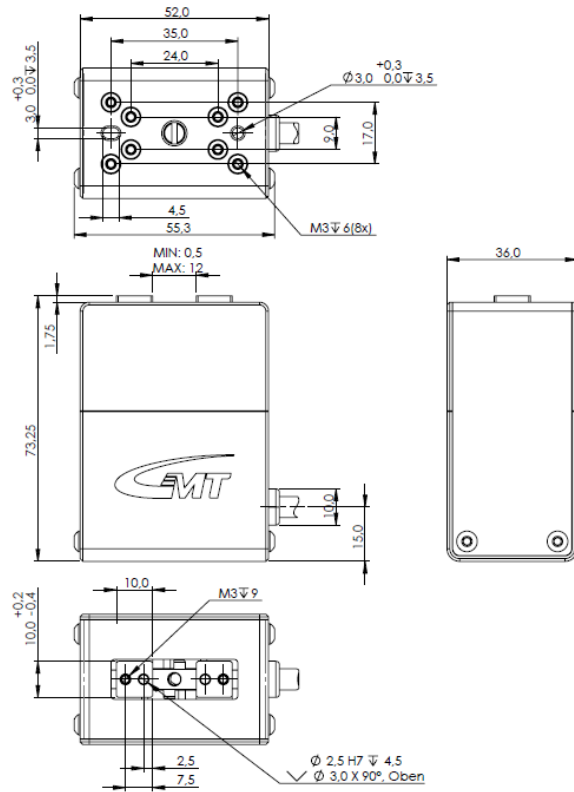
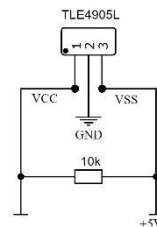


# GEZ-KA68440



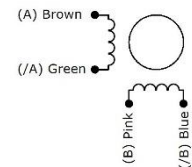
## Wiring Diagram

Hall Sensor




Motor

LSA201506-A-TDBA-102



	Wire	Min	Max
VSS	White	-	-
VCC	Yellow	+4.0[V]	+20[V]
GND	Grey	0[V]	+0.5[V]
R1	-	4.7[ $\Omega$ ]	10k[ $\Omega$ ]

Type of Connection	MOTOR	
BIPOLAR	Wire	WINDING
A -	Brown	A
/A -	Green	/A
B -	Pink	B
/B -	Blue	/B

STEP	A	B	/A	/B	
1	+	+	-	-	
2	-	+	+	-	
3	-	-	+	+	
4	+	-	-	+	

## Specifications

Stroke per Jaw [mm]	6
Weight [kg]	0.2
max. Gripping Force [N]	23
max. Speed [mm/s]	40
Repeatability [mm]	0.5
Dimension [mm]	55.3 x 73.25 x 36
Voltage	24V
Working Temperature	-10° - 50°
Motor	2-Phase Stepper Motor