

Compact ejector

SCPS 10 G02 NC M12-5 PNP

Part no...:10.02.02.04114

<https://www.schmalz.com/10.02.02.04114>

Home > Vacuum Technology for Automation > Vacuum Components > Vacuum Generators > Compact Ejectors > Compact Ejectors SCPS / SCPSi > SCPS 10 G02 NC M12-5 PNP

Compact ejector



Nozzle size: 10

Connection: G1/8"(1)-G1/8"(2)

Electrical connection: Male connect M12, 5 pol

Suction rate (max.): 36 l/min

Air consumption suction: 46 l/min

Pressure range (operating pressure): 3.0 ... 6.0 bar

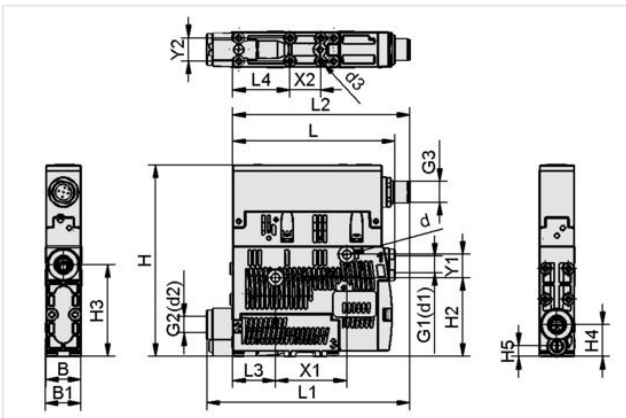
Max. vacuum: -850 mbar

Control valve: Normally closed

Function: Digital air-saving function

Construction shape vacuum switch: Switches to +

Design Data



Attribute	Value
B	18 mm
B1	18.60 mm
d	4.40 mm
d3	2.60 mm
G1	G1/8"-F
G2	G1/8"-F
G3	M12x1-M
H	99 mm
H2	40.80 mm
H3	47.50 mm
H4	16.50 mm
H5	5.50 mm
L	83.80 mm
L1	105 mm
L2	91.50 mm
L3	22 mm
L4	29.50 mm
X1	36.90 mm
X2	16 mm
Y1	12 mm
Y2	12 mm

Compact ejector

SCPS 10 G02 NC M12-5 PNP

Part no...:10.02.02.04114

<https://www.schmalz.com/10.02.02.04114>

Technical Data

Attribute	Value
Nozzle size	10
Degree of evacuation	85 %
Suction rate (max.)	2.21 m ³ /h
Suction rate (max.)	36 l/min
Air consumption suction	2.85 m ³ /h
Air consumption suction	46 l/min
Air consumption blow off	7.20 m ³ /h
Max. air consumption blow off	120 l/min
Sound level free	75 dB(A)
Sound level suction	61 dB(A)
Pressure range (operating pressure)	3.0 ... 6.0 bar
Recomm. internal hose diameter compressed air	4 mm
Recomm. internal hose diameter vacuum	4 mm
Weight	0.20 kg
Operating temperature	0 ... 50 °C
Pressure range (operating pressure)	43.5 ... 87.0
Suction rate (max.)	1.27 cfm
Air consumption suction	1.62 cfm
Air consumption blow off	4.24 cfm
Max. vacuum	-25.10 inHg
Control valve	Normally closed
Product family	SCPS

Accessories



ASK B-M12-5 5000 K-5P

Part no...:21.04.05.00080

Electrical connection: Fem connect M12, 5 pol

Cable length: 5,000 mm

Material hose: PUR cable

Compact ejector

SCPS 10 G02 NC M12-5 PNP

Part no...:10.02.02.04114

<https://www.schmalz.com/10.02.02.04114>



ASV SM/CPi B-M12-5 2xS-M12-4

Part no...:10.02.02.03490

Pressure range (operating pressure): bar

Length L: 1,050 mm



VFI CN6/4 50

Part no...:10.07.01.00241

Connection: Hose 6/4 with Cap nut

Filter pore size: 50 µm



VFI CN8/6 50

Part no...:10.07.01.00245

Connection: Hose 8/6 with Cap nut

Filter pore size: 50 µm

Compact ejector

SCPS 10 G02 NC M12-5 PNP

Part no...:10.02.02.04114

<https://www.schmalz.com/10.02.02.04114>



GP 4 SCPS 07..15 G2

Part no...:10.02.02.04338

Length L: 108 mm



SET SCPS

Part no...:10.02.02.04343

Length L: 113 mm

Width B: 70 mm

Height H: 73 mm

Construction use: Compact ejectors SCPS/SCPSi



ABL-SET SCPS einstufig

Part no...:10.02.02.04216

Construction use: Compact ejectors SCPS/SCPSi

Size: einstufig

Length L: 14 mm

Compact ejector

SCPS 10 G02 NC M12-5 PNP

Part no...:10.02.02.04114

<https://www.schmalz.com/10.02.02.04114>



ASK B-M12-5 1000 S-M12-5

Part no...:21.04.05.00158

Pressure range (operating pressure): bar



ASK B-M12-5 2000 S-M12-5

Part no...:21.04.05.00211

Pressure range (operating pressure): bar



GP 3 SCPS 07..15 G2

Part no...:10.02.02.04884

Length L: 89.4 mm

Compact ejector

SCPS 10 G02 NC M12-5 PNP

Part no...:10.02.02.04114

<https://www.schmalz.com/10.02.02.04114>



GP 5 SCPS 07..15 G2

Part no...:10.02.02.04858

Length L: 126.6 mm



GP 6 SCPS 07..15 G2

Part no...:10.02.02.04837

Length L: 145.2 mm



HUT-SN-KL SCPS

Part no...:10.02.02.04149

Construction use: Compact ejectors SCPS/SCPSi

Compact ejector

SCPS 10 G02 NC M12-5 PNP

Part no...:10.02.02.04114

<https://www.schmalz.com/10.02.02.04114>



VFI 6/4 50

Part no...:10.07.01.00328

Connection: Hose 6/4

Filter pore size: 50 µm



VFT G1/8-IG 80

Part no...:10.07.01.00116

Connection: G1/8"-F

Shape: Short filter insert

Nominal flow rate: 45 l/min

Nominal flow rate: 2.7 m³/h

Filter pore size: 80 µm

Spare parts



SD-EINS 15x16.5 SD

Part no...:10.02.02.04141

Construction use: Silencers

External diameter D: 15 mm

Length L: 16.5 mm

Compact ejector

SCPS 10 G02 NC M12-5 PNP

Part no...:10.02.02.04114

<https://www.schmalz.com/10.02.02.04114>



SIEB 11x2 X-5 0.415/0.22

Part no...:10.02.02.04404

External diameter D: 11 mm

Length L: 2 mm

Material: Stainless steel X5 CrNi



VST SCPS-einstuf-SD

Part no...:10.02.02.04737

Construction use: Compact ejectors SCPS/SCPSi

Size: einstuf-SD