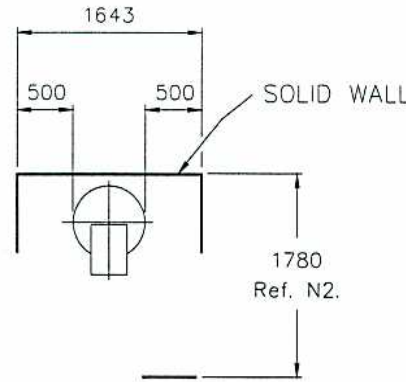
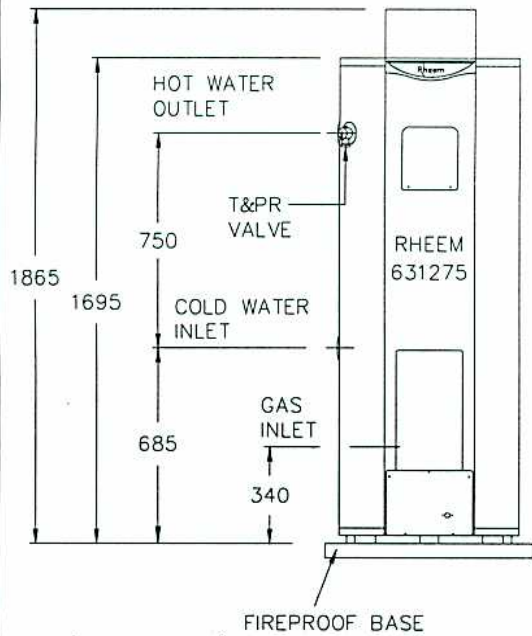
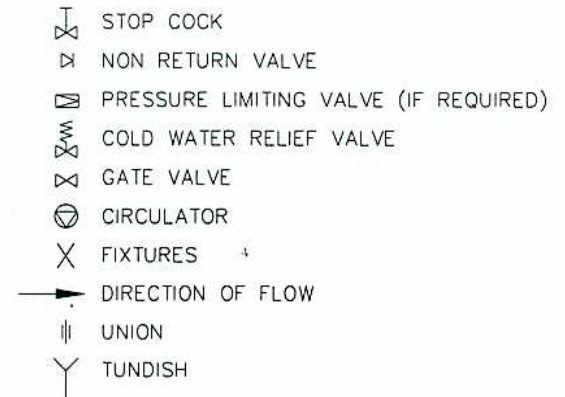


OUTDOOR MODEL



LEGEND

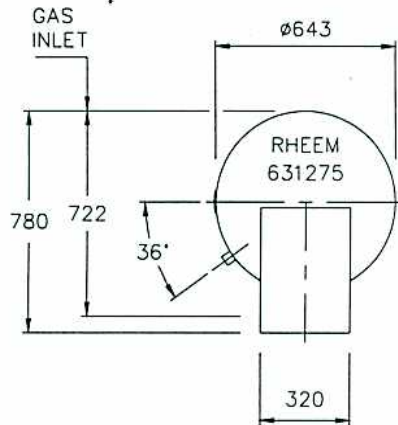


INLET OUTLET CONNECTIONS: -
RP1-1/4/32 (1-1/4" B.S.P. FEMALE)

TPR VALVE CONNECTION: -
RP3/4/20 (3/4" B.S.P. FEMALE)

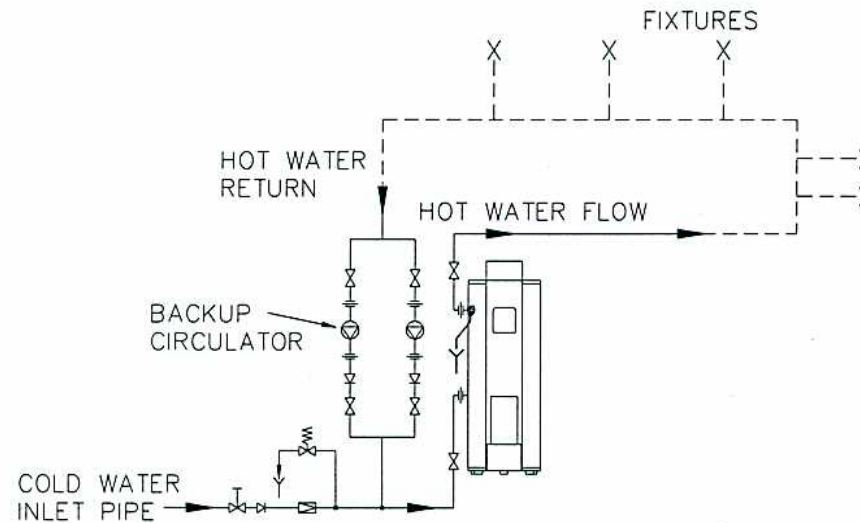
GAS INLET CONNECTION: -
RP3/4/20 (3/4" B.S.P. FEMALE)

TPR VALVE SETTING: -
1000 kPa



NOTES:

- N1. MINIMUM SPACE BETWEEN WALL AND BACK OF WATER HEATER IS 100mm.
- N2. A MINIMUM OF 900mm SHOULD BE LEFT IN FRONT OF THE WATER HEATER FOR ACCESS, SERVICING AND WATER HEATER REMOVAL.
- N3. EXTERNAL WATER HEATERS MUST BE INSTALLED WITH THE BACK OF THE WATER HEATER AGAINST A SOLID WALL.



RHEEM WATER HEATERS HEAVY DUTY GAS 1 x 631275

