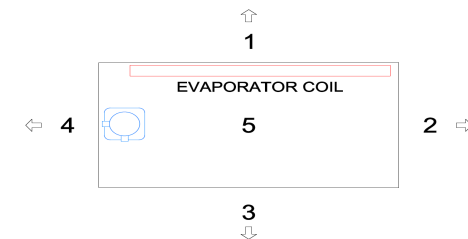
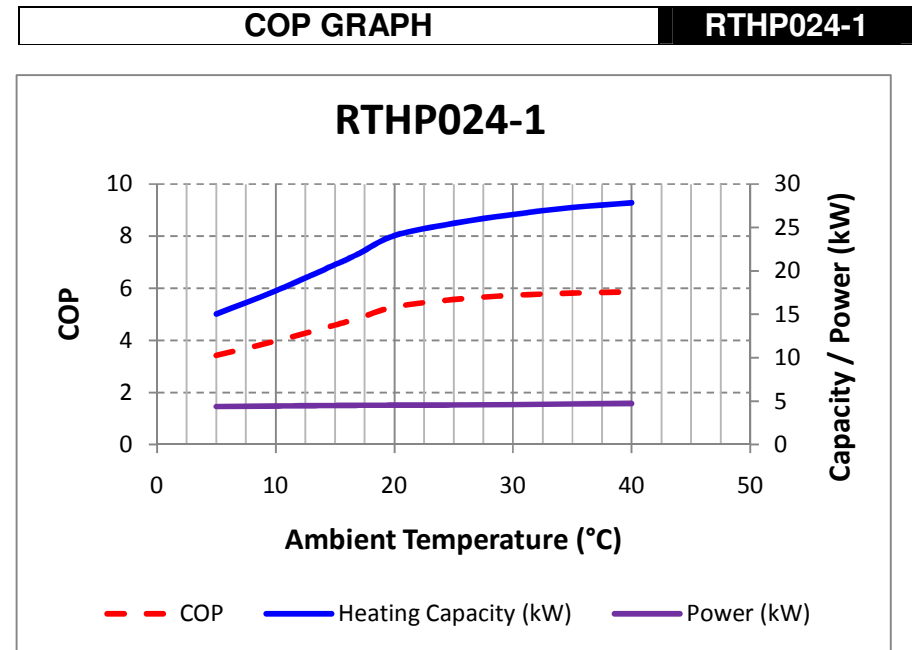


POOL HEAT PUMP SPECIFICATIONS		RTHP024-1	
Date: June 2016			
ELECTRICAL INPUT			
Voltage / Phase	240 / 1 Phase / 50 Hz		
Full Load Amps Per phase	27.28 Amps		
Min. Circuit Size	40.0 Amps		
Refrigerant	R407C		
Nominal Heating capacity	24.54 kW		
Power input	4.55 kW		
COP	5.39		
Noise Level	59 dBa @ 3 m		
Rated Load Amps @ 10°C SST / 45°C SCT	18.58 Amps		
TECHNICAL DATA	Compressor	Fan	
Make	Copeland	EBM-Papst	
Type	Scroll 20007	Axial	
Number Per Unit	1	2	
FLA (Full Load Amps)	26.0 Amps	0.64 Amps (Each)	
Voltage / Phase	240 / 1	240 / 1	
Pole/RPM	2/2,900	6/890	
Air Flow	N/A	1600 l/s	
HEAT EXCHANGER (Water Side)			
Type of Water Tube	Titanium		
Design	Shell and Tube		
Flow Rate Excl. By Pass	2.8 L/s		
Max. Outlet Water Temp	42°C		
Design Temperature difference	2.09°K		
Design Pressure Drop	40 k.P.a		
Max. Operating Pressure	300 k.P.a		
GENERAL INFORMATION			
Water Connections	40 mm PVC		
Drain	20mm PVC		
Defrost	Reverse Cycle		
Cabinet Construction	1.2mm Stucco Aluminium		
Approx. shipping weight	110 kg		
Size L x W x H	1150 mm x 565 mm x 980 mm		



UNIT CLEARANCES		RTHP024-1	
Direction	Description	Minimum Clearance Required	
1	Evaporator Coil	500 mm	
2	Water Connections	850 mm	
3	Plain Back	Nil	
4	Compressor Access	850 mm	
5	Top – Fan Discharge	2500 mm	

When units placed side by side allow 2000mm clearance between evaporator coils.
Rating Conditions: 27°C DB / 22°C WB / 27°C water inlet.



Manufactured In Australia by Rheem Thermal



Rheem
THERMAL SYSTEMS GROUP

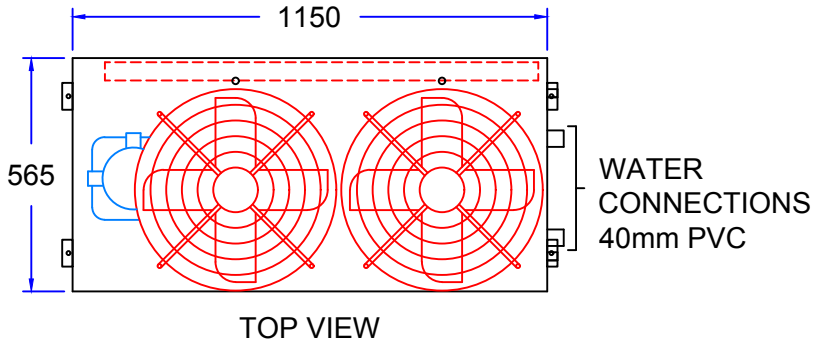
POOL HEAT PUMP DIMENSIONS

1 PHASE

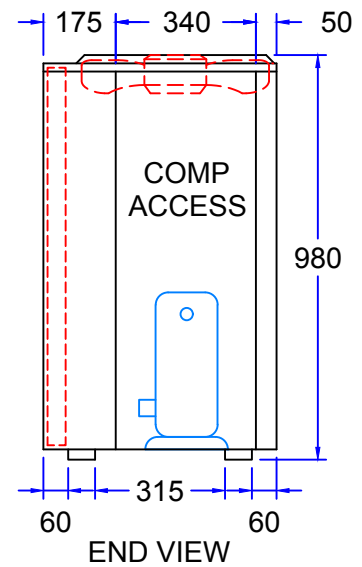
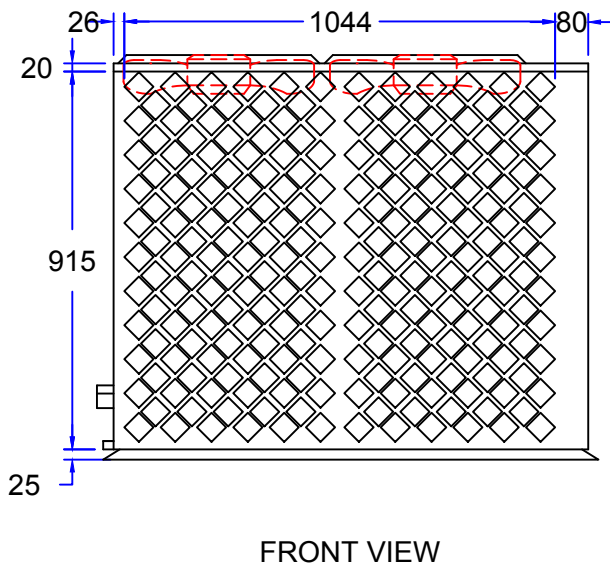
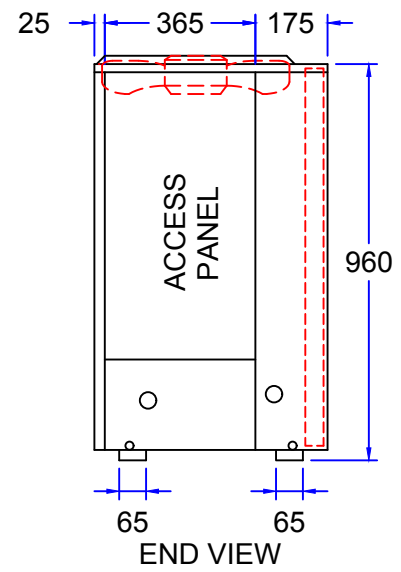
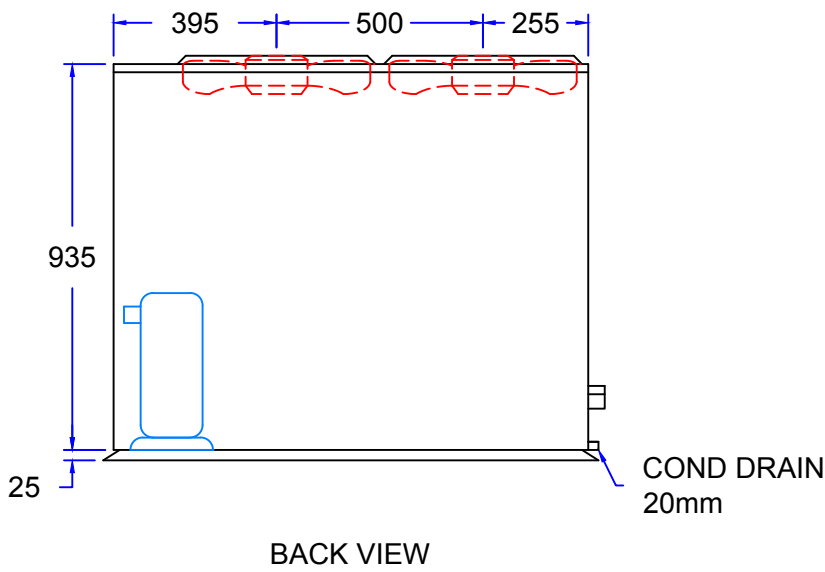
RTHP024-1

STANDARD DESIGN CONFIGURATION

POOL HEAT PUMP



PHYSICAL SIZE (mm)		
L x W x H	1150 x 565 x 980	
	kW	WEIGHT
RTHP024-1	24.0	120.0 kg



Rheem
THERMAL SYSTEMS GROUP

43 Marigold Street
Revesby NSW 2212
Australia
Phone: +61 2 9684 3684
Fax: +61 2 9684 3698

RTHP024-1

REF. DWG
RTHP024-1-D05

Date
2/05/2018

Drawn
JB

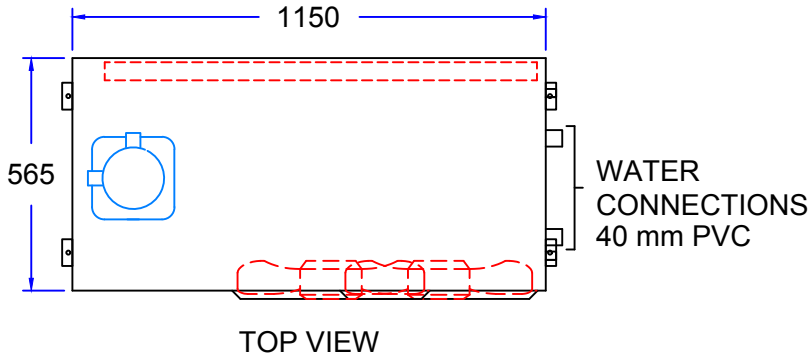
POOL HEAT PUMP DIMENSIONS

1 PHASE

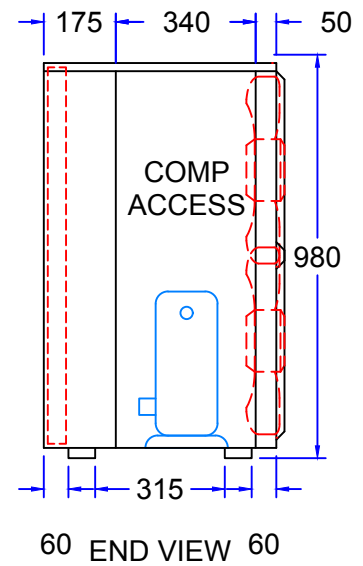
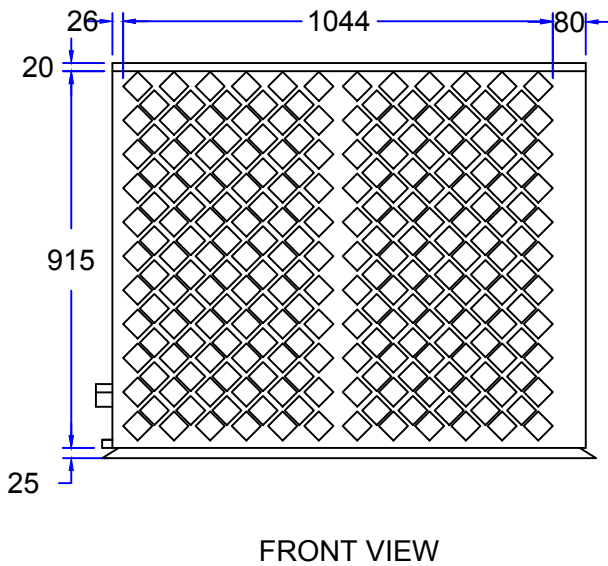
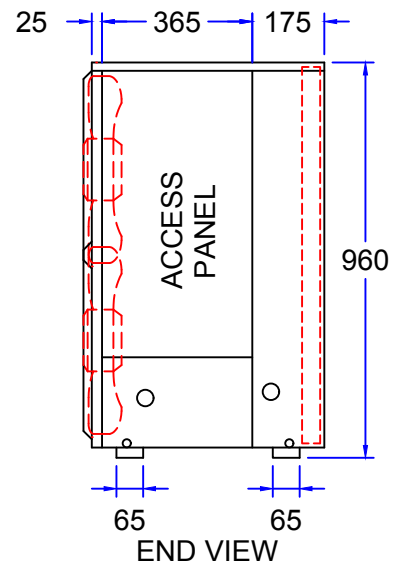
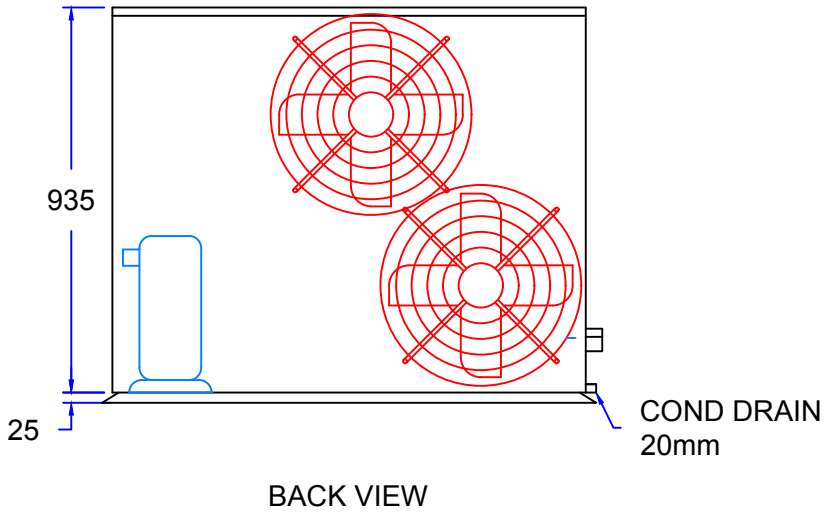
RTHP024-1H

STANDARD DESIGN CONFIGURATION

POOL HEAT PUMP



PHYSICAL SIZE (mm)		
L x W x H	1150 x 565 x 980	
	kW	WEIGHT
RTHP024-1H	24.0	110.0 kg



Rheem
THERMAL SYSTEMS GROUP

43 Marigold Street
Revesby NSW 2212
Australia
Phone: +61 2 9684 3684
Fax: +61 2 9684 3698

RTHP024-1H

REF. DWG
RTHP024-1-D06

Date
2/05/2018

Drawn
JB

HOT WATER PUMP WIRING

1 PHASE

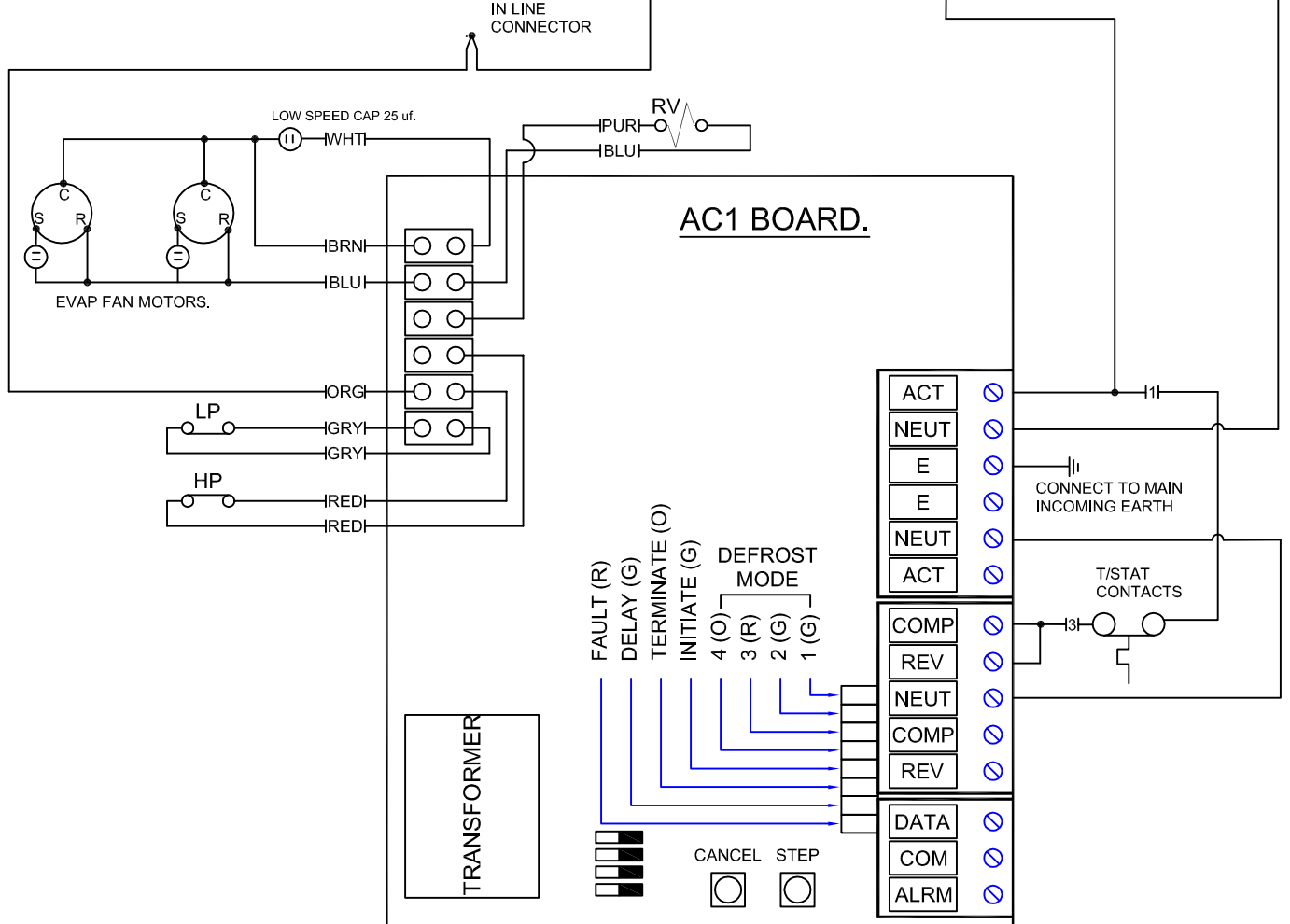
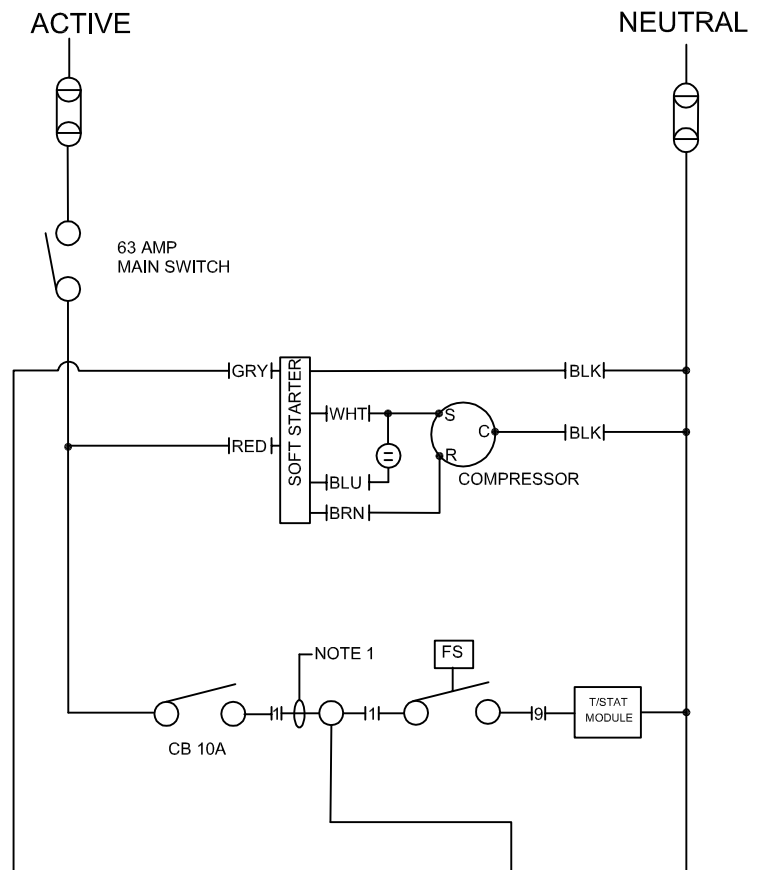
RTHP024-1

FUNCTIONS	LABELS	LEDS
MINIMUM RUN TIME-----	1	GREEN
DE-ICE CONFIRM TIME-----	2	GREEN
DE-ICE-----	3	RED
DE-WATER/PRE-HEAT(BLINKS)---	4	ORANGE
SENSOR BELOW 5°C-----	INIT	GREEN
SENSOR BELOW 12°C-----	TERM	ORANGE
COMPRESSOR START DELAY---	DEL	GREEN
SENSOR HP/LP FAULT-----	FAULT	RED

TABLE A2		
	CANCEL:	CANCEL COMPRESSOR CYCLE DELAY AND HP/LP TRIP TIMEOUT
	STEP:	STEP THROUGH DE-ICE MODES, SENSOR MUST BE BELOW 10°

LEGEND	
C1	COMPRESSOR CONTACTOR
CB	CIRCUIT BREAKER
HP	HIGH PRESSURE SWITCH
LP	LOW PRESSURE SWITCH
RV	REVERSING VALVE
FS	FLOW SWITCH
	COMP. CONTACTOR COIL

NOTE:
1) REMOVE BRIDGE IF CONTROL ISOLATOR IS FITTED



Rheem THERMAL SYSTEMS GROUP	21 Atkinson Street Liverpool NSW 2170 Australia Phone: +61 2 8706 8400 Fax: +61 2 9602 8477	RTHP024-1		
		REF. DWG RTHP024-1-D01	Drawn B. Fleming	Date 16/3/2016

Unit specifications are subject to change without notice.