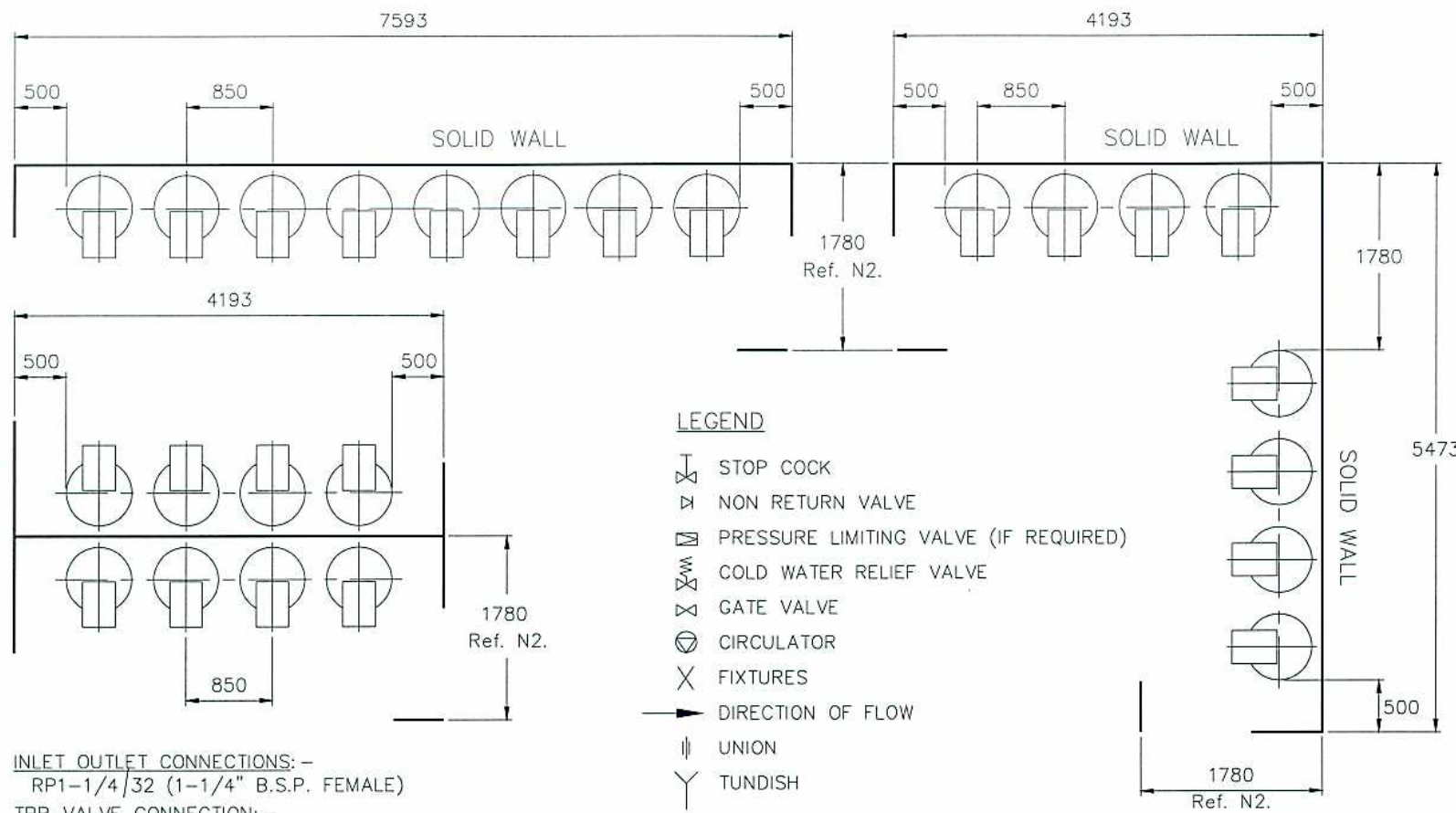
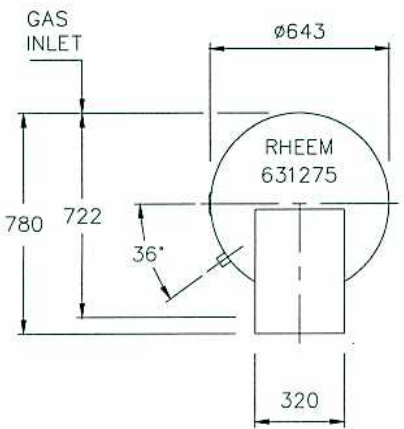
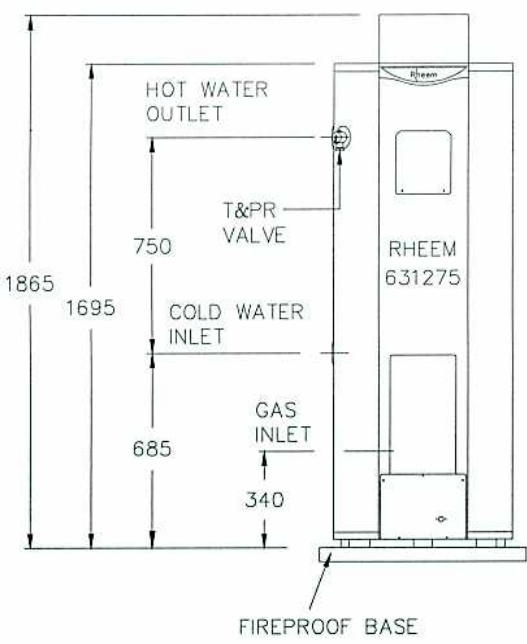
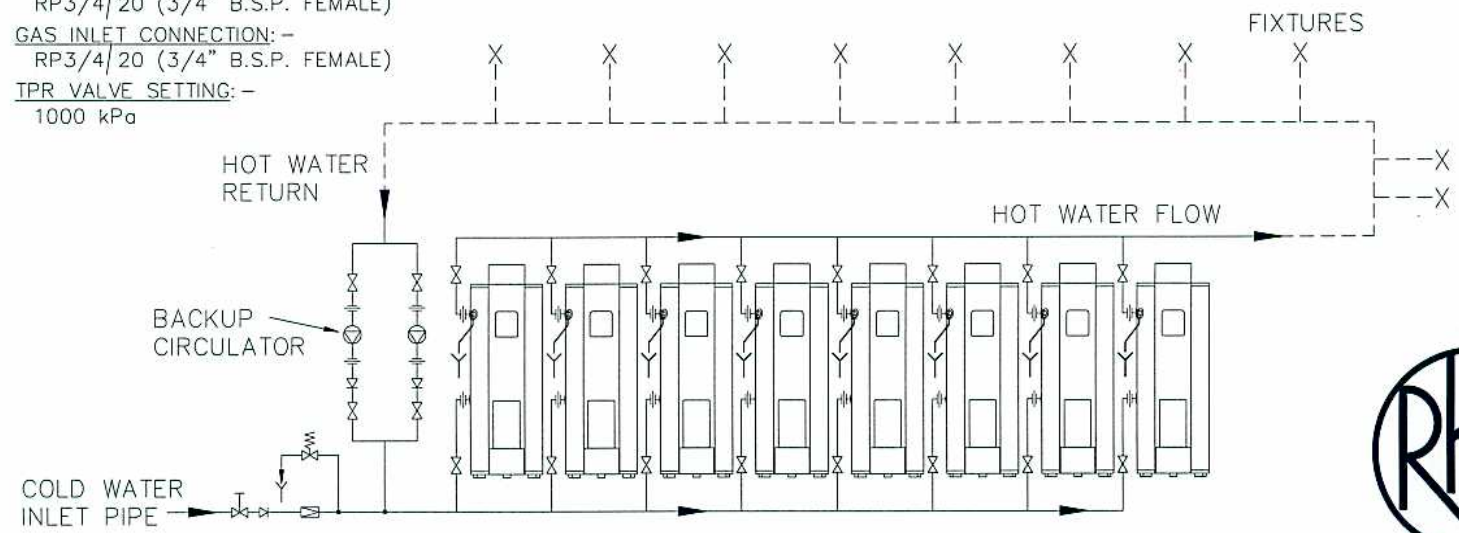


OUTDOOR MODEL



INLET OUTLET CONNECTIONS: -  
 RP1-1/4/32 (1-1/4" B.S.P. FEMALE)  
TPR VALVE CONNECTION: -  
 RP3/4/20 (3/4" B.S.P. FEMALE)  
GAS INLET CONNECTION: -  
 RP3/4/20 (3/4" B.S.P. FEMALE)  
TPR VALVE SETTING: -  
 1000 kPa

- NOTES:**
- N1. MINIMUM SPACE BETWEEN WALL AND BACK OF WATER HEATER IS 100mm.
  - N2. A MINIMUM OF 900mm SHOULD BE LEFT IN FRONT OF THE WATER HEATER FOR ACCESS, SERVICING AND WATER HEATER REMOVAL.
  - N3. EXTERNAL WATER HEATERS MUST BE INSTALLED WITH THE BACK OF THE WATER HEATER AGAINST A SOLID WALL.



**RHEEM WATER HEATERS HEAVY DUTY GAS 8 x 631275**

