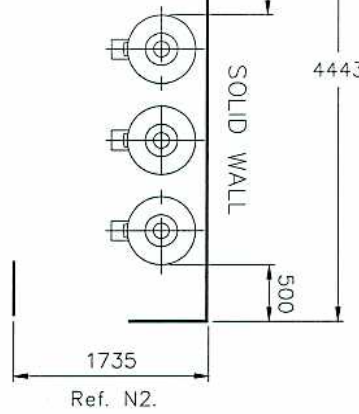
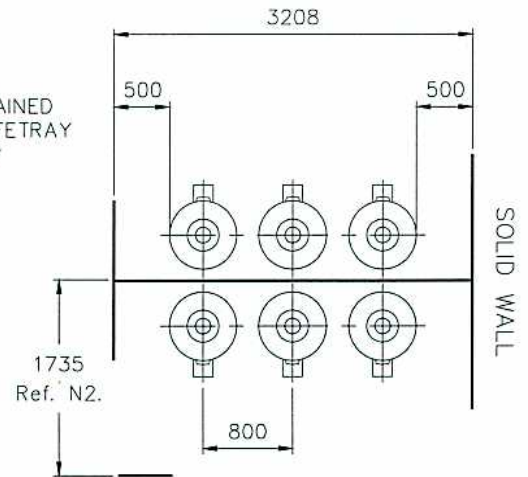
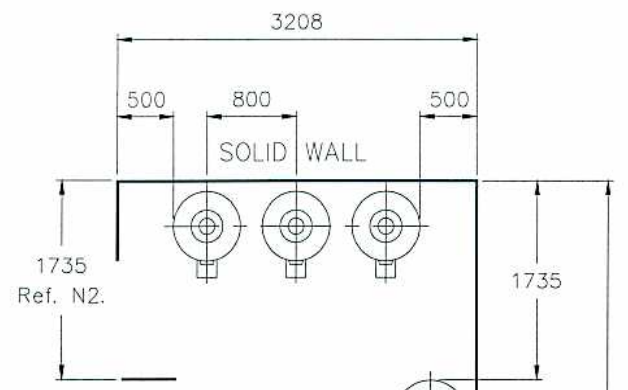
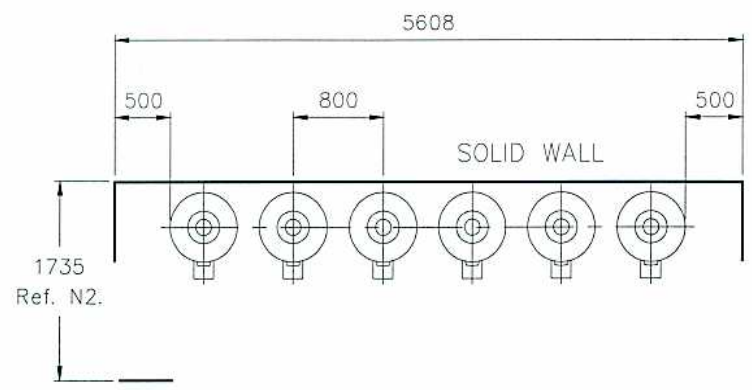
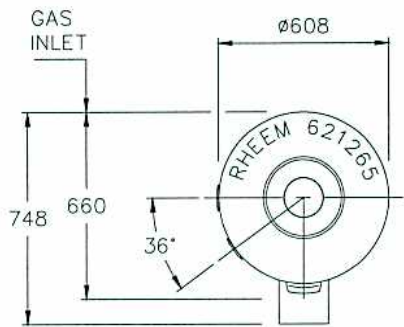
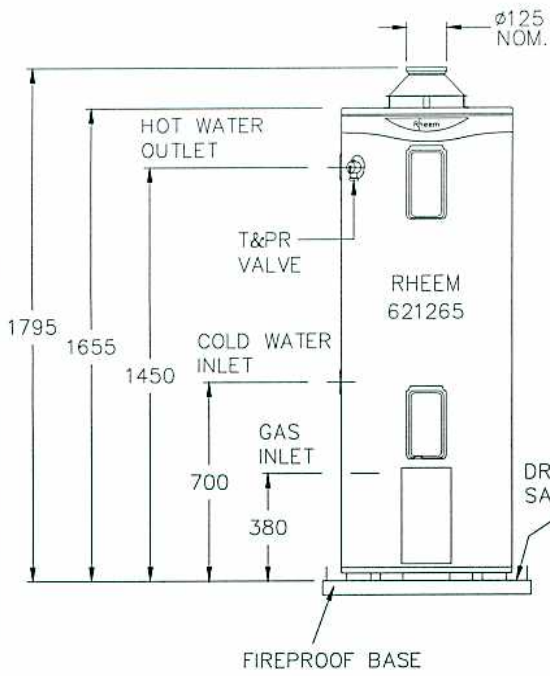


INDOOR MODEL

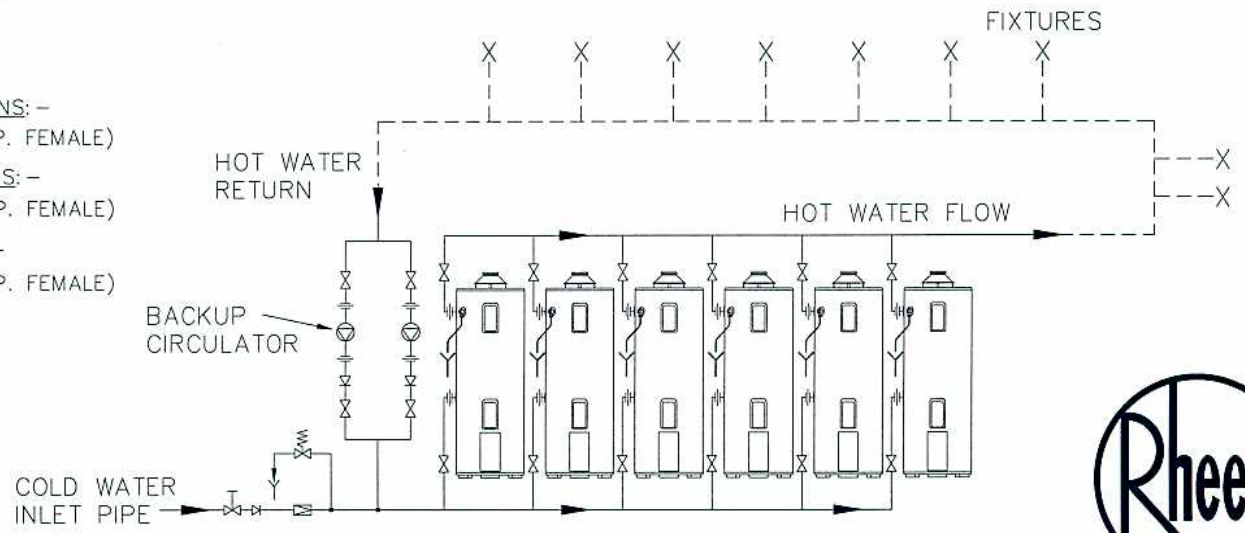


LEGEND

- ⊥ STOP COCK
- ⊗ NON RETURN VALVE
- ⊠ PRESSURE LIMITING VALVE (IF REQUIRED)
- ⊞ COLD WATER RELIEF VALVE
- ⊘ GATE VALVE
- ⊙ CIRCULATOR
- ⊗ FIXTURES
- ➔ DIRECTION OF FLOW
- ⊕ UNION
- ⊥ TUNDISH

- INLET OUTLET CONNECTIONS:** -  
 RP 1 1/4 / 32 (1 1/4" B.S.P. FEMALE)
- T&PR VALVE CONNECTIONS:** -  
 RP 3/4 / 20 (3/4" B.S.P. FEMALE)
- GAS INLET CONNECTION:** -  
 RP 3/4 / 20 (3/4" B.S.P. FEMALE)
- T&PR VALVE SETTING:** -  
 1000 kPa

- NOTES:**
- N1. MINIMUM SPACE BETWEEN WALL AND BACK OF WATER HEATER IS 100mm.
- N2. A MINIMUM OF 900mm SHOULD BE LEFT IN FRONT OF THE WATER HEATER FOR ACCESS, SERVICING AND WATER HEATER REMOVAL.



**RHEEM WATER HEATERS HEAVY DUTY GAS 6 x 621265**

