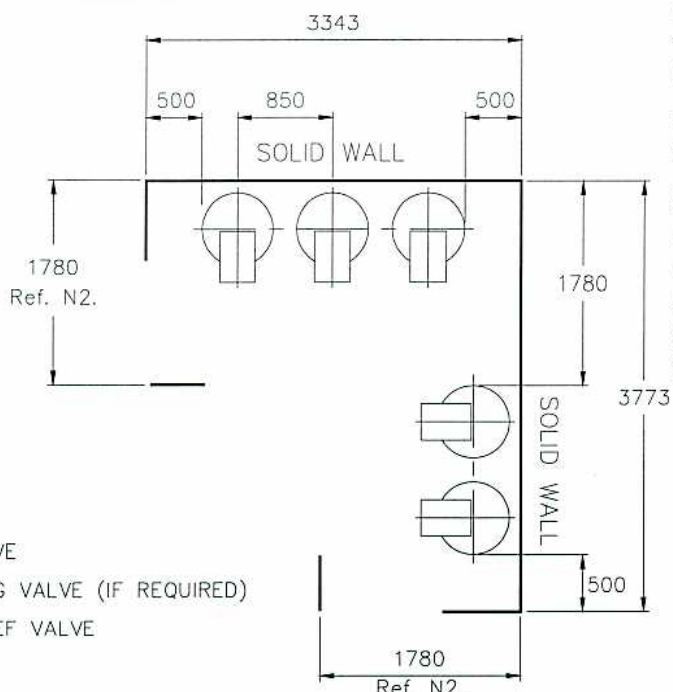
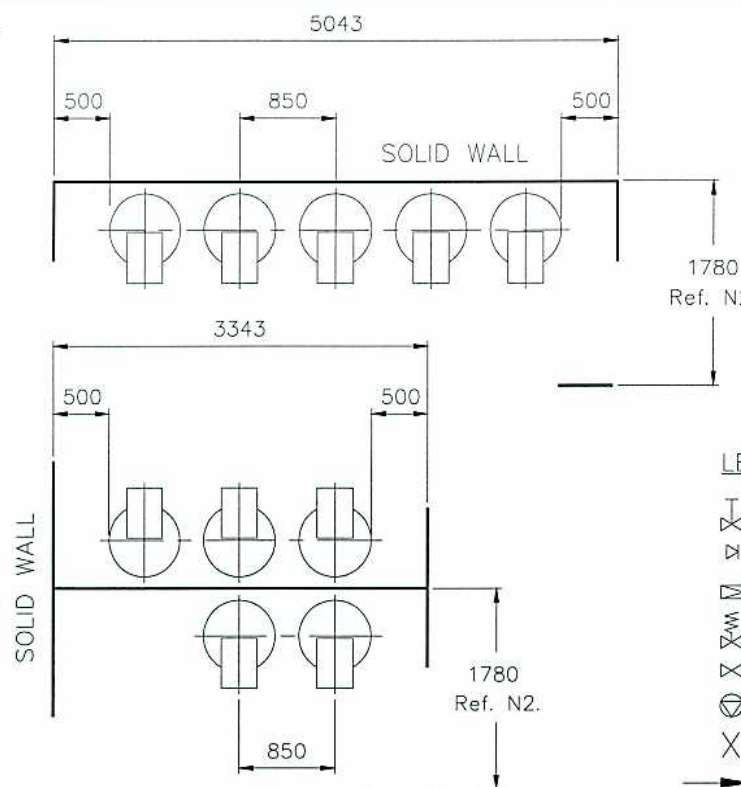
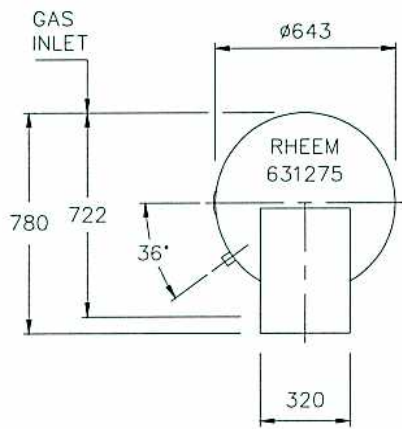
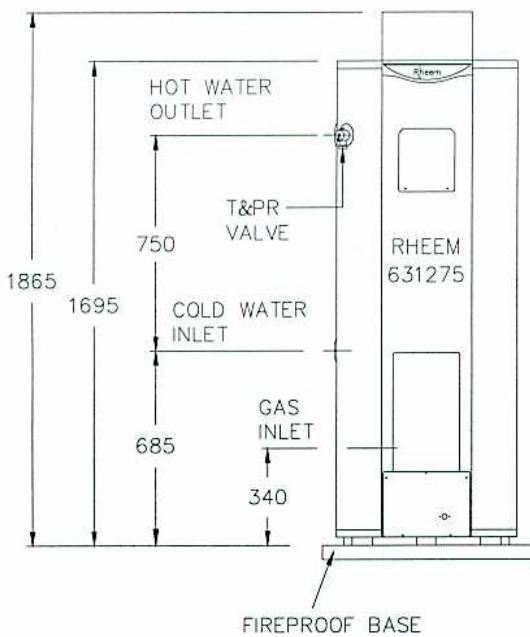


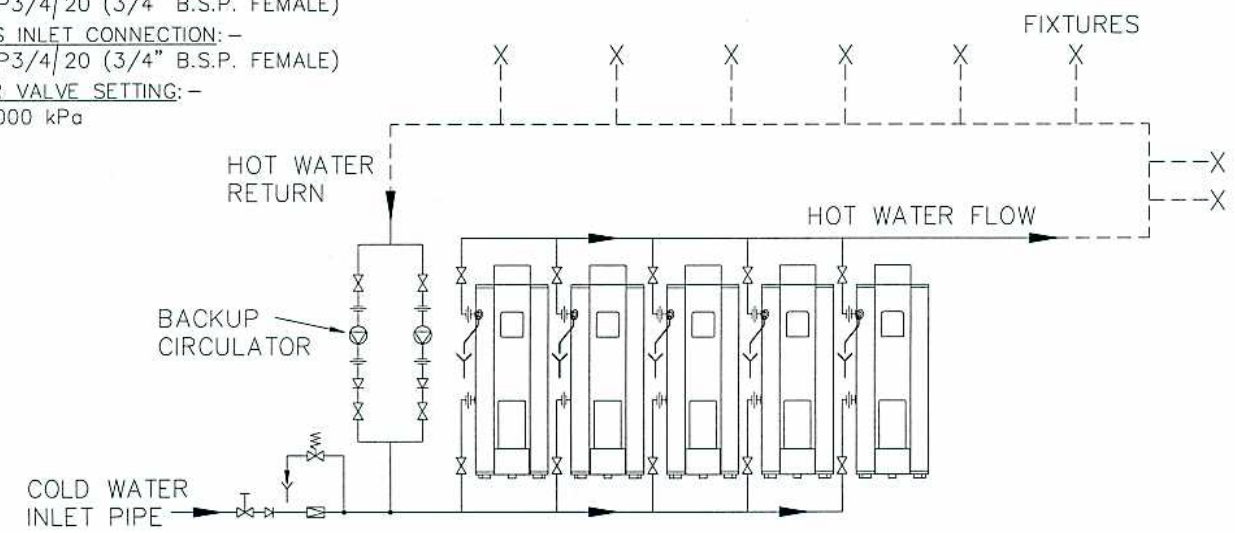
OUTDOOR MODEL



- LEGEND**
- ⊞ STOP COCK
 - ⊞ NON RETURN VALVE
 - ⊞ PRESSURE LIMITING VALVE (IF REQUIRED)
 - ⊞ COLD WATER RELIEF VALVE
 - ⊞ GATE VALVE
 - ⊞ CIRCULATOR
 - ⊞ FIXTURES
 - DIRECTION OF FLOW
 - ⊞ UNION
 - ⊞ TUNDISH

INLET OUTLET CONNECTIONS: -
 RP1-1/4/32 (1-1/4" B.S.P. FEMALE)
TPR VALVE CONNECTION: -
 RP3/4/20 (3/4" B.S.P. FEMALE)
GAS INLET CONNECTION: -
 RP3/4/20 (3/4" B.S.P. FEMALE)
TPR VALVE SETTING: -
 1000 kPa

- NOTES:**
- N1. MINIMUM SPACE BETWEEN WALL AND BACK OF WATER HEATER IS 100mm.
 - N2. A MINIMUM OF 900mm SHOULD BE LEFT IN FRONT OF THE WATER HEATER FOR ACCESS, SERVICING AND WATER HEATER REMOVAL.
 - N3. EXTERNAL WATER HEATERS MUST BE INSTALLED WITH THE BACK OF THE WATER HEATER AGAINST A SOLID WALL.



RHEEM WATER HEATERS HEAVY DUTY GAS 5 x 631275

631275x5 5/01 REV-AD (A3)