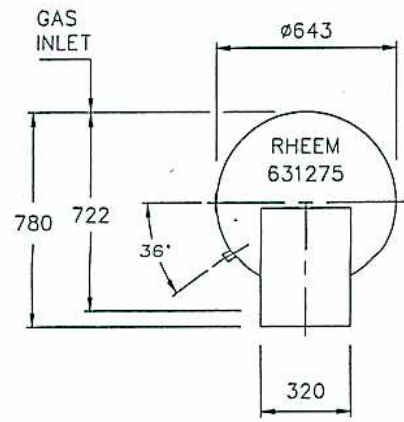
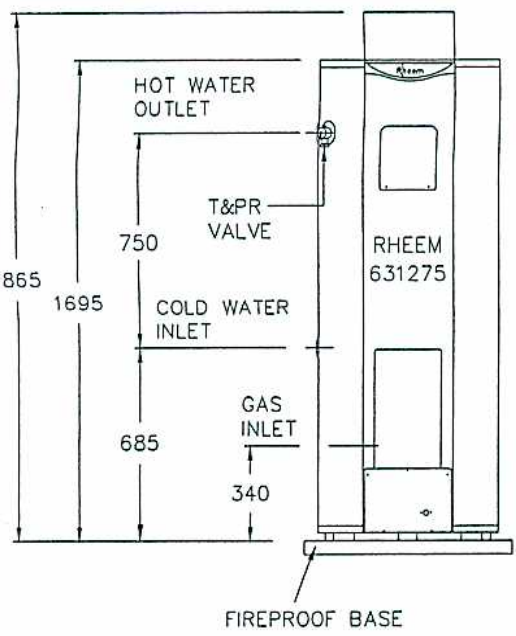


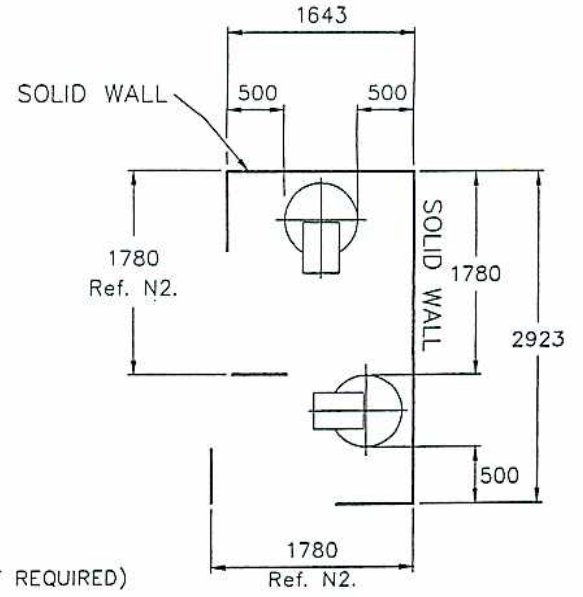
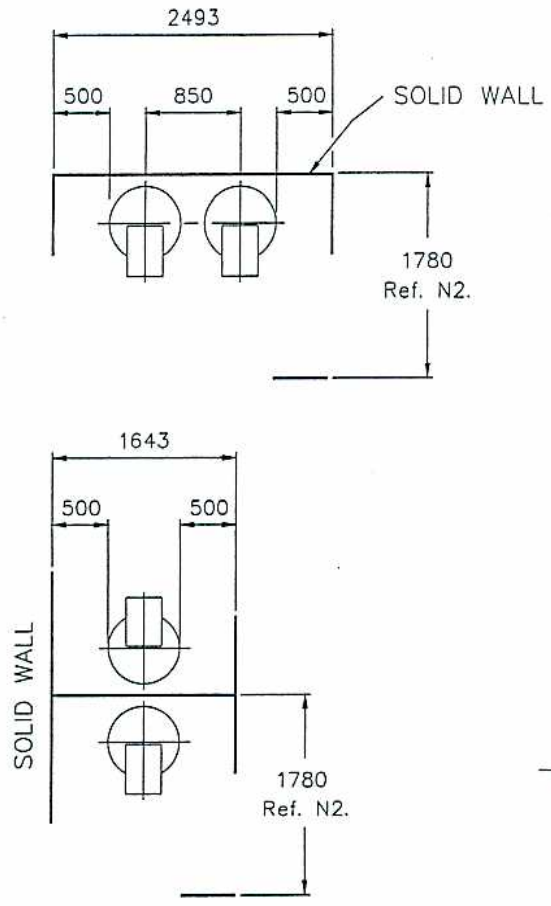
OUTDOOR MODEL



NOTES:

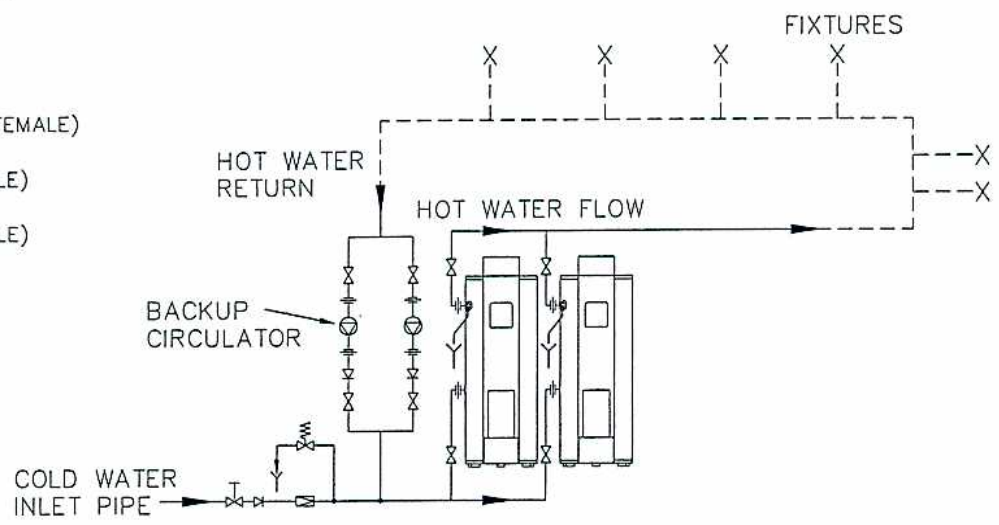
- NI. MINIMUM SPACE BETWEEN WALL AND BACK OF WATER HEATER IS 100mm.
- N2. A MINIMUM OF 900mm SHOULD BE LEFT IN FRONT OF THE WATER HEATER FOR ACCESS, SERVICING AND WATER HEATER REMOVAL.
- N3. EXTERNAL WATER HEATERS MUST BE INSTALLED WITH THE BACK OF THE WATER HEATER AGAINST A SOLID WALL.

INLET OUTLET CONNECTIONS: -
 RP1-1/4/32 (1-1/4" B.S.P. FEMALE)
TPR VALVE CONNECTION: -
 RP3/4/20 (3/4" B.S.P. FEMALE)
GAS INLET CONNECTION: -
 RP3/4/20 (3/4" B.S.P. FEMALE)
TPR VALVE SETTING: -
 1000 kPa



LEGEND

- ⊞ STOP COCK
- ⊞ NON RETURN VALVE
- ⊞ PRESSURE LIMITING VALVE (IF REQUIRED)
- ⊞ COLD WATER RELIEF VALVE
- ⊞ GATE VALVE
- ⊞ CIRCULATOR
- ⊞ FIXTURES
- DIRECTION OF FLOW
- ⊞ UNION
- ⊞ TUNDISH



RHEEM WATER HEATERS HEAVY DUTY GAS 2 x 631275