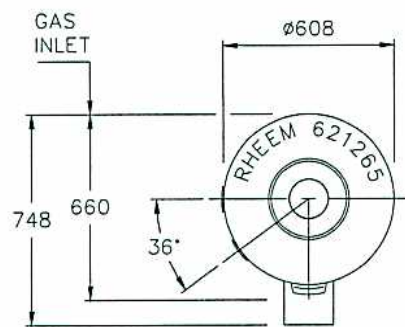
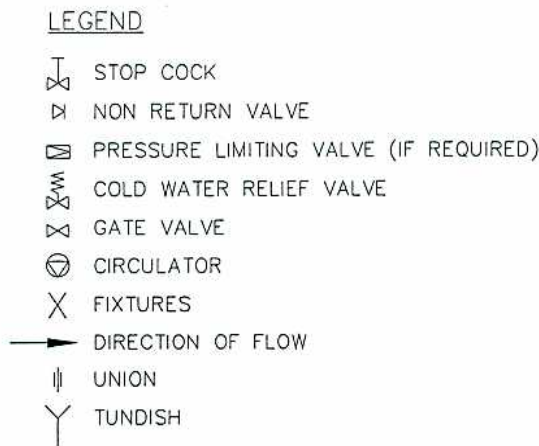
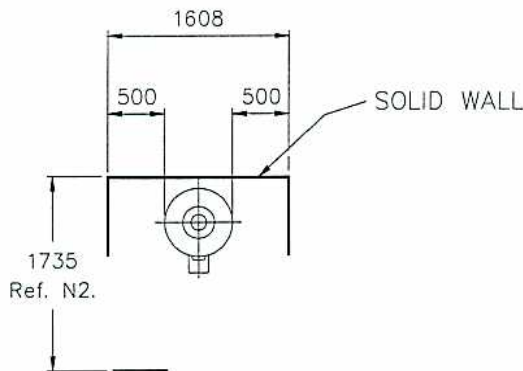
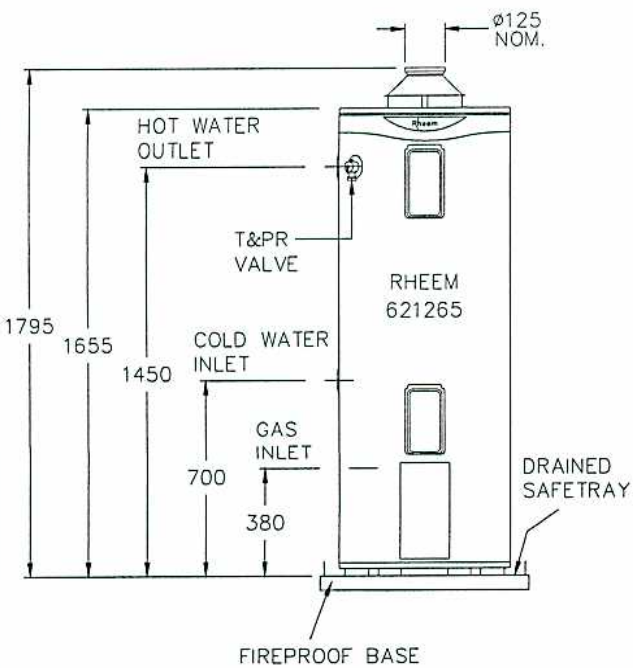


INDOOR MODEL



**INLET OUTLET CONNECTIONS: -**  
 RP 1 1/4 / 32 (1 1/4" B.S.P. FEMALE)

**T&PR VALVE CONNECTIONS: -**  
 RP 3/4/20 (3/4" B.S.P. FEMALE)

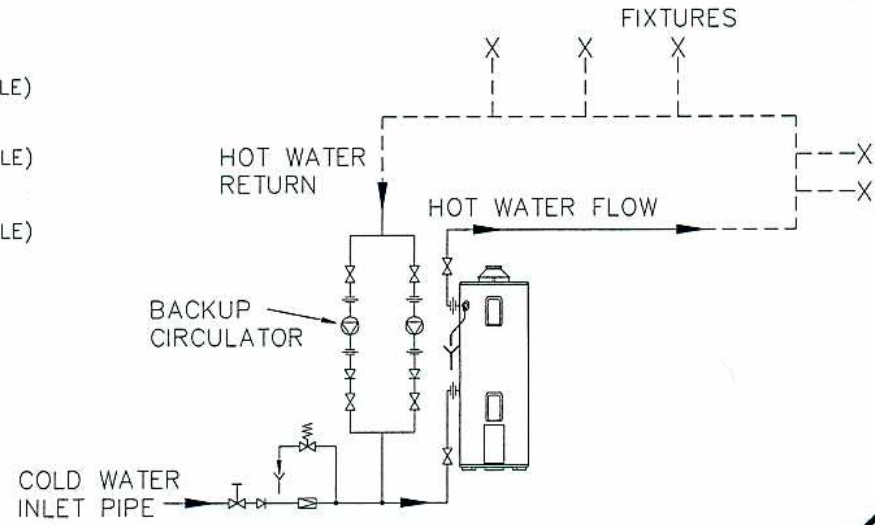
**GAS INLET CONNECTION: -**  
 RP 3/4/20 (3/4" B.S.P. FEMALE)

**T&PR VALVE SETTING: -**  
 1000 kPa

**NOTES:**

N1. MINIMUM SPACE BETWEEN WALL AND BACK OF WATER HEATER IS 100mm.

N2. A MINIMUM OF 900mm SHOULD BE LEFT IN FRONT OF THE WATER HEATER FOR ACCESS, SERVICING AND WATER HEATER REMOVAL.



**RHEEM WATER HEATERS HEAVY DUTY GAS 1 x 621265**